



# CoreLine Recessed Spot gen2 – för alla projekt där ljus verkligen gör skillnad

## CoreLine Recessed Spot gen2

CoreLine Recessed Spot gen2 uppfyller CoreLines löfte om innovativa, lättanvända och högkvalitativa armaturer. Den modulära designen gör det möjligt att anpassa belysningen så att den bättre uppfyller dina specifika behov. Sortimentet har ett brett urval av färgtemperaturer, ljusflöden, färger, ramtyper och anslutningstillval. Den kompakta designen hos CoreLine Recessed Spot gen2 med snabbanslutning möjliggör genomgående kabeldragnings och stöder ett urval av kabeldiametrar/tvårsnittsyta, vilket leder till en problemfri installation. Hög ljuskvalitet, många anslutningsmöjligheter, lång livslängd och hög systemeffektivitet gör CoreLine Recessed Spot gen2 till en idealisk accentlösning spotlight-projekt inomhus.

### Fördelar

- Den modulära konstruktionen gör att armaturen passar inom en mängd olika användningsområden
- Mycket enkel att installera och underhålla
- Kompakt och lätt produktdesign med material och ytbehandling av hög kvalitet
- Bra ljuskvalitet
- Hög prestanda
- Mycket värde för pengarna

## CoreLine Recessed Spot gen2

### Funktioner

- Finns i fast eller justerbart utförande
- CE-, UKCA- och ENEC-certifierad
- Ytbehandling: vit, svart eller aluminium
- 650, 900 eller 1 200 lumen (lumenpaket)
- 50 000 timmar vid L70
- Systemeffektivitet på 88–107 lm/W, beroende på konfiguration
- Färgåtergivningindex, CRI>80
- Färgmatchning med standardavvikelse, SDCM < 3
- Korrelerad ljusfärgstemperatur på 2 700 K, 3 000 K eller 4 000 K
- LED-moduler med gnistrande linsoptik
- LED-ljuskällor med Chip-on-board
- Olika utbytbara ramtillbehör
- Alla konfigurationer har stöd för grundläggande isoleringsskydd enligt IEC 60598 -1 utgåva 8.1
- Olika anslutningstillval: Phase-Cut (PSR), DALI (PSD) eller Interact Pro (WIA)
- Högpresterande drivdon (PSR) kompatibelt med de flesta väggdimrarna på marknaden
- Armaturhus kompatibla med Halox® 100 betongmontering finns som tillval

### Användning

- Hotell och restaurang
- Butik
- Kontor
- Bostadsområden
- HoReCa
- Brett urval av allmänna inomhustillämpningar
- Korridorer
- Mötesrum
- Badrum och toaletter
- Fikarum
- Hyllor och skåp

### Varning och Säkerhet

- Armaturen ska installeras och demonteras av behörig elektriker och kopplas i enlighet med de senaste IEE-reglerna eller nationella standarder, enligt produktens monteringsanvisningar.

### Versions



CoreLine\_Recessed\_Spot-  
RS140B-SPP.TIF



CoreLine Recessed Spot-RS140B  
Fixed ALU

# CoreLine Recessed Spot gen2

## Versions

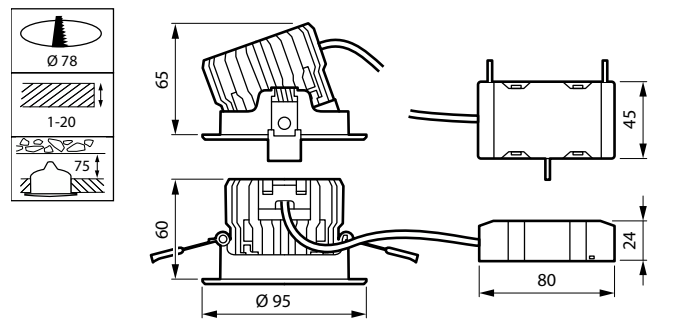
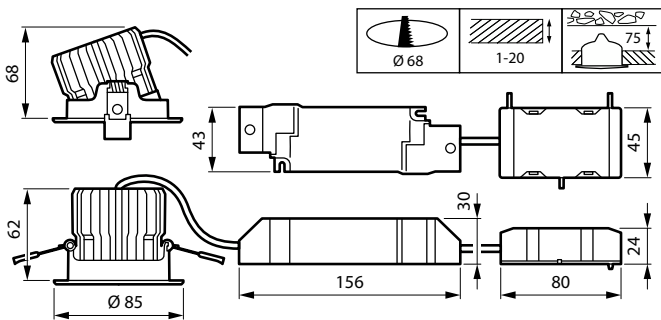
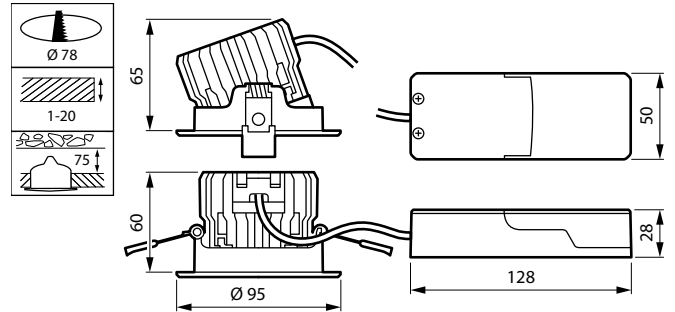
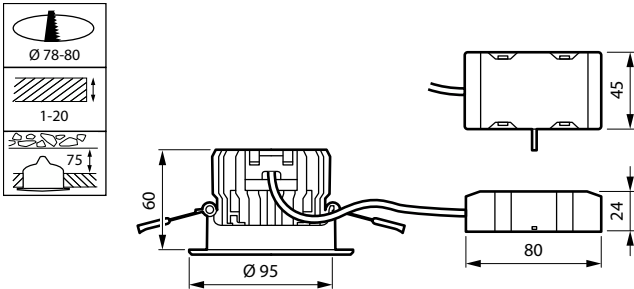
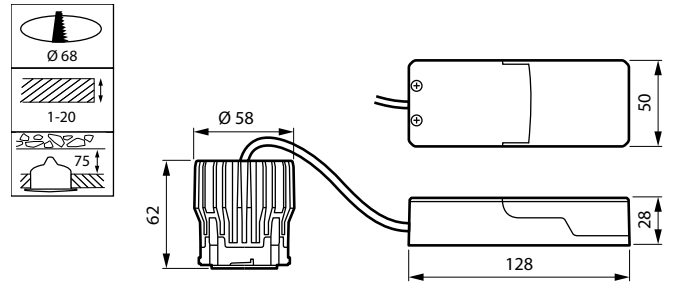
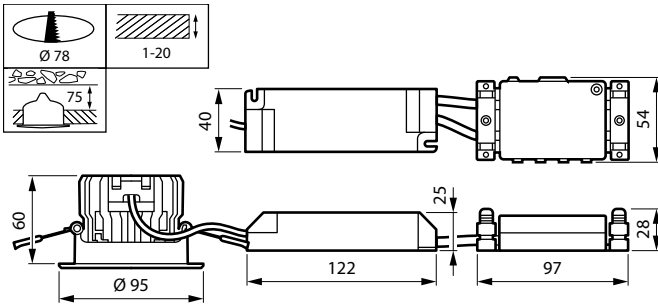


CoreLine Recessed Spot gen2  
D68mm 650-950-1200lm  
Adjustable WH SPP



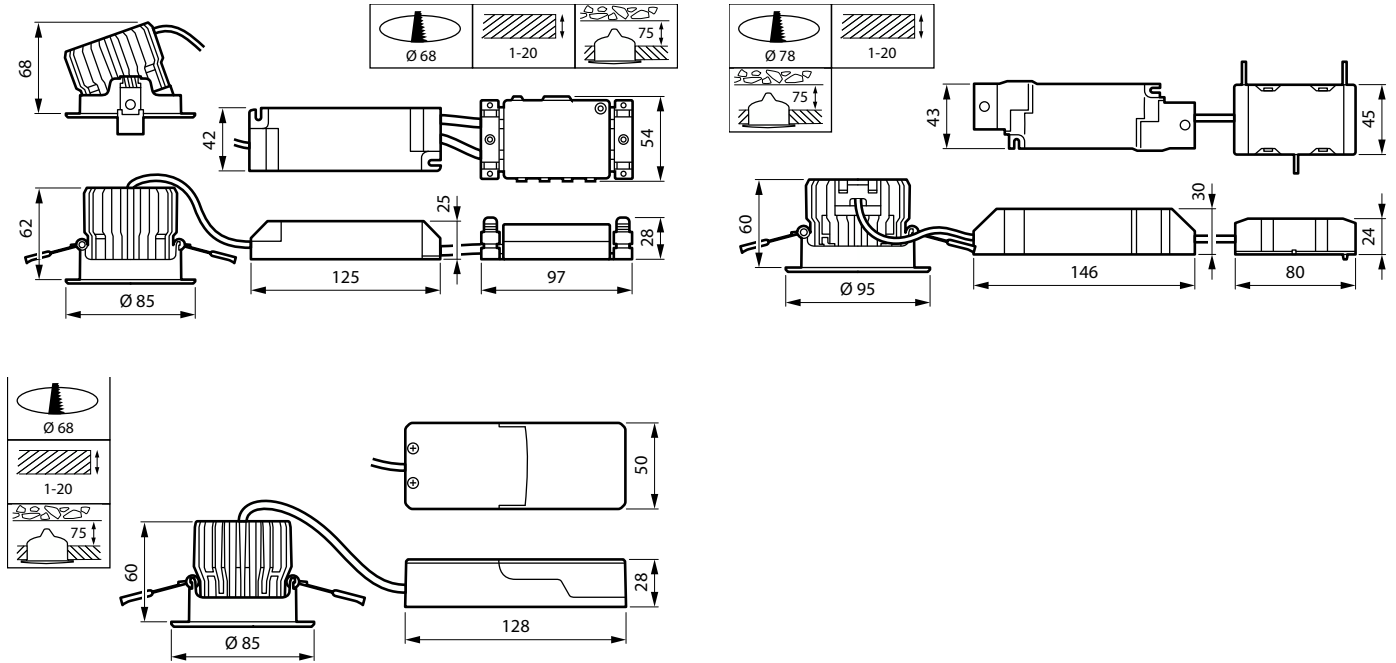
CoreLine Recessed Spot gen2  
D68mm 650-950-1200lm Fix WH  
SPP

## Måttskiss



# CoreLine Recessed Spot gen2

## Måttskiss



## Produktinformation



CoreLine\_Recessed\_Spot-  
RS140B-DPP.TIF



CoreLine\_Recessed\_Spot-RS141B-  
DPP.TIF



CoreLine\_Recessed\_Spot-  
RS140B\_Fixed\_ALU-DPP.TIF



CoreLine\_Recessed\_Spot-  
RS141B\_Adjustable\_ALU-DPP.TIF

# CoreLine Recessed Spot gen2

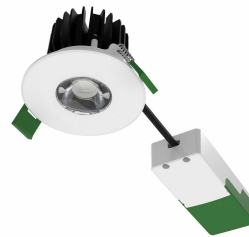
## Produktinformation



CoreLine Recessed Spot gen2  
D68mm 650-950-1200lm  
Adjustable WH DDP



CoreLine Recessed Spot gen2  
D68mm 650-950-1200lm Fix WH  
DDP



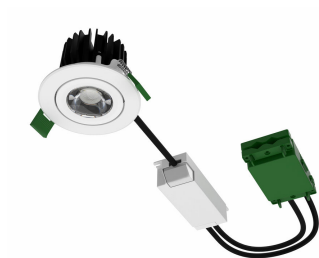
CoreLine Recessed Spot gen2  
D68mm 650-950-1200lm Fix WH  
DDP



CoreLine Recessed Spot gen2  
D68mm 650-950-1200lm  
Adjustable WH DDP



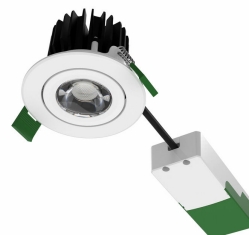
CoreLine Recessed Spot gen2  
D68mm 650-950-1200lm Fix ALU  
DDP



CoreLine Recessed Spot gen2  
D68mm 1200lm Adjustable PSD  
WH DDP



CoreLine Recessed Spot gen2  
D78mm 1200lm PSD Adjustable



CoreLine Recessed Spot gen2  
D68mm 650-950-1200lm  
Adjustable WH DDP

# CoreLine Recessed Spot gen2

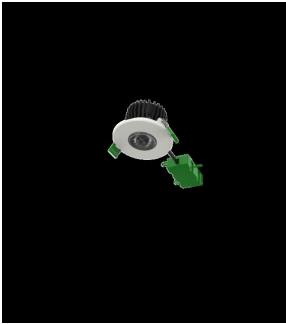
## Produktinformation



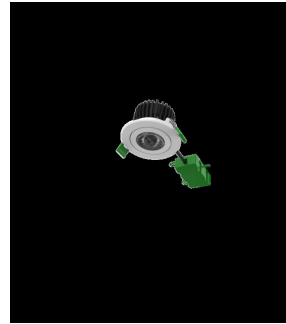
CoreLine Recessed Spot gen2  
D68mm 650-950-1200lm  
Adjustable ALU DDP



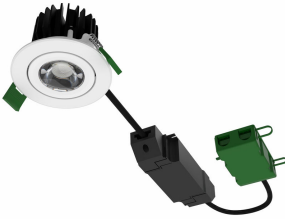
CoreLine Recessed Spot gen2  
D68mm 650-950-1200lm  
Adjustable ALU DDP



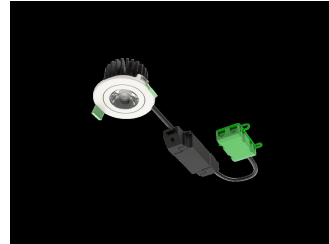
CoreLine Recessed Spot gen2  
D78mm 650-950lm Fix



CoreLine Recessed Spot gen2  
D78mm 650-900lm PSR  
Adjustable



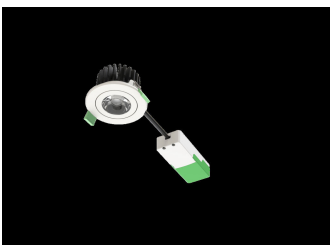
CoreLine Recessed Spot gen2  
D68mm 1200lm Adjustable WIA  
WH DDP



CoreLine Recessed Spot gen2  
D78mm 1200lm WIA Adjustable



CoreLine Recessed Spot gen2  
D68mm 650-950-1200lm  
Adjustable ALU DDP



CoreLine Recessed Spot gen2  
D78mm 1200lm PSR Adjustable

## CoreLine Recessed Spot gen2

### Allmän information

Driftdon ingår	Ja
Utbytbar ljuskälla	Ja
Antal driftdonsenheter	1 enhet

### Ljusteknik

Ljuskällans spridningsvinkel	120 °
Färgåtergivningsindex	>80
Optiktyp	Bredstrålande spridningsvinkel

### Drift och elektricitet

Skyddsklass IEC	Säkerhetsklass II
Ingångsspänning	220–240 V
Line Frequency	50 or 60 Hz
Lämplig för slumpmässig brytning	Nej

### Styrenheter och dimring

Dimbar	Ja
Max. dimringsnivå	10 % (beroende på dimmer, ELV)

### Mekanik och armaturhus

Skyddskod för mekanisk påverkan	IK03
---------------------------------	------

### Användning och godkännande

Omgivningstemperatur	0 till +35 °C
CE-märkning	Ja
ENEC-märkning	ENEC-märkning
Säkerhetsmärkning, antändlighet	För montering på normalt lättantändliga ytor
Glödtrådtest	Temperatur 650 °C, under 30 s
Flimmervärde (PstLM)	1
Stroboskopisk effekt	0,4

### Ursprunglig prestanda (IEC-kompatibel)

Tolerans för ljusflöde	+/-10%
------------------------	--------

### Ljusteknik

Order Code	Full Product Name	Korrelerad färgtemperatur (Nom)	Ljusutbyte (märkvärde) (nom)	Ljusflöde
911401898982	RS150B LED6-WB-/830 D78 PSR PI6 WH	3000 K	90 lm/W	650 lm
911401899082	RS150B LED6-WB-/840 D78 PSR PI6 WH	4000 K	90 lm/W	650 lm
911401899182	RS150B LED9-WB-/830 D78 PSR PI6 WH	3000 K	88 lm/W	900 lm
911401897482	RS151B LED6-WB-/830 D78 PSR PI6 WH	3000 K	90 lm/W	650 lm
911401897682	RS151B LED6-WB-/840 D78 PSR PI6 WH	4000 K	90 lm/W	650 lm
911401897982	RS151B LED9-WB-/830 D78 PSR PI6 WH	3000 K	88 lm/W	900 lm
911401898182	RS151B LED9-WB-/840 D78 PSR PI6 WH	4000 K	88 lm/W	900 lm
911401898282	RS151B LED12-WB-/830 D78 PSR PI6 WH	3000 K	98 lm/W	1200 lm
911401898482	RS151B LED12-WB-/840 D78 PSR PI6 WH	4000 K	98 lm/W	1200 lm
911401898582	RS151B LED12-WB-/830 D78 WIA PI6 WH	3000 K	100 lm/W	1200 lm
911401898682	RS151B LED12-WB-/840 D78 WIA PI6 WH	4000 K	100 lm/W	1200 lm
911401898882	RS151B LED12-WB-/840 D78 PSD PI10 WH	4000 K	98 lm/W	1200 lm
911401810584	RS150B LED6-WB-/830 D78 PSR PI6 ALU	3000 K	90 lm/W	650 lm
911401824484	RS150B LED6-WB-/840 D78 PSR PI6 ALU	4000 K	90 lm/W	650 lm
911401824584	RS150B LED6-WB-/827 D78 PSR PI6 ALU	2700 K	90 lm/W	650 lm
911401810384	RS151B LED9-WB-/840 D78 PSR PI6 ALU	4000 K	88 lm/W	900 lm
911401810484	RS151B LED12-WB-/840 D78 PSR PI6 ALU	4000 K	98 lm/W	1200 lm
911401897582	RS151B LED6-WB-/830 D78 PSR PI6 ALU	3000 K	90 lm/W	650 lm
911401897782	RS151B LED6-WB-/840 D78 PSR PI6 ALU	4000 K	90 lm/W	650 lm
911401897882	RS151B LED6-WB-/827 D78 PSR PI6 ALU	2700 K	90 lm/W	650 lm
911401898082	RS151B LED9-WB-/830 D78 PSR PI6 ALU	3000 K	88 lm/W	900 lm
911401898382	RS151B LED12-WB-/830 D78 PSR PI6 ALU	3000 K	98 lm/W	1200 lm
911401898782	RS151B LED12-WB-/830 D78 PSD PI10 WH	3000 K	98 lm/W	1200 lm
911401828685	RS156B LED6-WB-/827 D68 PSR PI6 WH	2700 K	100 lm/W	720 lm
911401822484	RS155B LED6-WB-/830 D68 PSR PI6 ALU	3000 K	104 lm/W	750 lm

## CoreLine Recessed Spot gen2

Order Code	Full Product Name	Korrelerad färgtemperatur (Nom)	Ljusutbyte (märkvärde) (nom)	Ljusflöde
911401822784	RS155B LED9-WB-/830 D68 PSR PI6 ALU	3000 K	98 lm/W	1 000 lm
911401823084	RS155B LED12-WB-/830 D68 PSR PI6 ALU	3000 K	105 lm/W	1 300 lm
911401824684	RS155B LED6-WB-/840 D68 PSR PI6 ALU	4000 K	110 lm/W	800 lm
911401824784	RS155B LED6-WB-/827 D68 PSR PI6 ALU	2700 K	100 lm/W	720 lm
911401828785	RS155B LED6-WB-/827 D68 PSR PI6 WH	2700 K	100 lm/W	720 lm
911401820584	RS156B LED6-WB-/830 D68 PSR PI6 WH	3000 K	104 lm/W	750 lm
911401820784	RS156B LED6-WB-/840 D68 PSR PI6 WH	4000 K	110 lm/W	800 lm
911401821184	RS156B LED9-WB-/830 D68 PSR PI6 WH	3000 K	98 lm/W	1 000 lm
911401821384	RS156B LED9-WB-/840 D68 PSR PI6 WH	4000 K	105 lm/W	1 080 lm
911401821584	RS156B LED12-WB-/830 D68 PSR PI6 WH	3000 K	105 lm/W	1 300 lm
911401821784	RS156B LED12-WB-/840 D68 PSR PI6 WH	4000 K	112 lm/W	1 380 lm
911401821984	RS156B LED12-WB-/830 D68 WIA PI6 WH	3000 K	108 lm/W	1 300 lm
911401822084	RS156B LED12-WB-/840 D68 WIA PI6 WH	4000 K	115 lm/W	1 380 lm
911401822184	RS156B LED12-WB-/830 D68 PSD PI10 WH	3000 K	105 lm/W	1 300 lm
911401822284	RS156B LED12-WB-/840 D68 PSD PI10 WH	4000 K	112 lm/W	1 380 lm
911401822384	RS155B LED6-WB-/830 D68 PSR PI6 WH	3000 K	104 lm/W	750 lm
911401822584	RS155B LED6-WB-/840 D68 PSR PI6 WH	4000 K	110 lm/W	800 lm
911401822684	RS155B LED9-WB-/830 D68 PSR PI6 WH	3000 K	98 lm/W	1 000 lm
911401822884	RS155B LED9-WB-/840 D68 PSR PI6 WH	4000 K	105 lm/W	1 080 lm
911401822984	RS155B LED12-WB-/830 D68 PSR PI6 WH	3000 K	105 lm/W	1 300 lm
911401823184	RS155B LED12-WB-/840 D68 PSR PI6 WH	4000 K	112 lm/W	1 380 lm
911401820684	RS156B LED6-WB-/830 D68 PSR PI6 ALU	3000 K	104 lm/W	750 lm
911401820884	RS156B LED6-WB-/840 D68 PSR PI6 ALU	4000 K	110 lm/W	800 lm
911401820984	RS156B LED6-WB-/827 D68 PSR PI6 ALU	2700 K	100 lm/W	720 lm
911401821284	RS156B LED9-WB-/830 D68 PSR PI6 ALU	3000 K	98 lm/W	1 000 lm

## CoreLine Recessed Spot gen2

Order Code	Full Product Name	Korrelerad färgtemperatur (Nom)	Ljusutbyte (märkvärde) (nom)	Ljusflöde
911401821484	RS156B LED9-WB-/840 D68 PSR PI6 ALU	4000 K	105 lm/W	1 080 lm
911401821684	RS156B LED12-WB-/830 D68 PSR PI6 ALU	3000 K	105 lm/W	1 300 lm
911401821884	RS156B LED12-WB-/840 D68 PSR PI6 ALU	4000 K	112 lm/W	1 380 lm

### Drift och elektricitet

Order Code	Full Product Name	Strömförbrukning
911401898982	RS150B LED6-WB-/830 D78 PSR PI6 WH	7,2 W
911401899082	RS150B LED6-WB-/840 D78 PSR PI6 WH	7,2 W
911401899182	RS150B LED9-WB-/830 D78 PSR PI6 WH	10,2 W
911401897482	RS151B LED6-WB-/830 D78 PSR PI6 WH	7,2 W
911401897682	RS151B LED6-WB-/840 D78 PSR PI6 WH	7,2 W
911401897982	RS151B LED9-WB-/830 D78 PSR PI6 WH	10,2 W
911401898182	RS151B LED9-WB-/840 D78 PSR PI6 WH	10,2 W
911401898282	RS151B LED12-WB-/830 D78 PSR PI6 WH	12,3 W
911401898482	RS151B LED12-WB-/840 D78 PSR PI6 WH	12,3 W
911401898582	RS151B LED12-WB-/830 D78 WIA PI6 WH	12 W
911401898682	RS151B LED12-WB-/840 D78 WIA PI6 WH	12 W
911401898882	RS151B LED12-WB-/840 D78 PSD PI10 WH	12,3 W
911401810584	RS150B LED6-WB-/830 D78 PSR PI6 ALU	7,2 W
911401824484	RS150B LED6-WB-/840 D78 PSR PI6 ALU	7,2 W
911401824584	RS150B LED6-WB-/827 D78 PSR PI6 ALU	7,2 W
911401810384	RS151B LED9-WB-/840 D78 PSR PI6 ALU	10,2 W
911401810484	RS151B LED12-WB-/840 D78 PSR PI6 ALU	12,3 W
911401897582	RS151B LED6-WB-/830 D78 PSR PI6 ALU	7,2 W
911401897782	RS151B LED6-WB-/840 D78 PSR PI6 ALU	7,2 W
911401897882	RS151B LED6-WB-/827 D78 PSR PI6 ALU	7,2 W
911401898082	RS151B LED9-WB-/830 D78 PSR PI6 ALU	10,2 W
911401898382	RS151B LED12-WB-/830 D78 PSR PI6 ALU	12,3 W
911401898782	RS151B LED12-WB-/830 D78 PSD PI10 WH	12,3 W
911401828685	RS156B LED6-WB-/827 D68 PSR PI6 WH	7,2 W
911401822484	RS155B LED6-WB-/830 D68 PSR PI6 ALU	7,2 W
911401822784	RS155B LED9-WB-/830 D68 PSR PI6 ALU	10,2 W
911401823084	RS155B LED12-WB-/830 D68 PSR PI6 ALU	12,3 W

Order Code	Full Product Name	Strömförbrukning
911401824684	RS155B LED6-WB-/840 D68 PSR PI6 ALU	7,2 W
911401824784	RS155B LED6-WB-/827 D68 PSR PI6 ALU	7,2 W
911401828785	RS155B LED6-WB-/827 D68 PSR PI6 WH	7,2 W
911401820584	RS156B LED6-WB-/830 D68 PSR PI6 WH	7,2 W
911401820784	RS156B LED6-WB-/840 D68 PSR PI6 WH	7,2 W
911401821184	RS156B LED9-WB-/830 D68 PSR PI6 WH	10,2 W
911401821384	RS156B LED9-WB-/840 D68 PSR PI6 WH	10,2 W
911401821584	RS156B LED12-WB-/830 D68 PSR PI6 WH	12,3 W
911401821784	RS156B LED12-WB-/840 D68 PSR PI6 WH	12,3 W
911401821984	RS156B LED12-WB-/830 D68 WIA PI6 WH	12 W
911401822084	RS156B LED12-WB-/840 D68 WIA PI6 WH	12 W
911401822184	RS156B LED12-WB-/830 D68 PSD PI10 WH	12,3 W
911401822284	RS156B LED12-WB-/840 D68 PSD PI10 WH	12,3 W
911401822384	RS155B LED6-WB-/830 D68 PSR PI6 WH	7,2 W
911401822584	RS155B LED6-WB-/840 D68 PSR PI6 WH	7,2 W
911401822684	RS155B LED9-WB-/830 D68 PSR PI6 WH	10,2 W
911401822884	RS155B LED9-WB-/840 D68 PSR PI6 WH	10,2 W
911401822984	RS155B LED12-WB-/830 D68 PSR PI6 WH	12,3 W
911401823184	RS155B LED12-WB-/840 D68 PSR PI6 WH	12,3 W
911401820684	RS156B LED6-WB-/830 D68 PSR PI6 ALU	7,2 W
911401820884	RS156B LED6-WB-/840 D68 PSR PI6 ALU	7,2 W
911401820984	RS156B LED6-WB-/827 D68 PSR PI6 ALU	7,2 W
911401821284	RS156B LED9-WB-/830 D68 PSR PI6 ALU	10,2 W
911401821484	RS156B LED9-WB-/840 D68 PSR PI6 ALU	10,2 W
911401821684	RS156B LED12-WB-/830 D68 PSR PI6 ALU	12,3 W
911401821884	RS156B LED12-WB-/840 D68 PSR PI6 ALU	12,3 W

### Mekanik och armaturhus

Order Code	Full Product Name	Armaturhusets färg	Kod för kapslingsklass
911401898982	RS150B LED6-WB-/830 D78 PSR PI6 WH	Vit	IP20/65
911401899082	RS150B LED6-WB-/840 D78 PSR PI6 WH	Vit	IP20/65
911401899182	RS150B LED9-WB-/830 D78 PSR PI6 WH	Vit	IP20/65
911401897482	RS151B LED6-WB-/830 D78 PSR PI6 WH	Vit	IP20/44

Order Code	Full Product Name	Armaturhusets färg	Kod för kapslingsklass
911401897682	RS151B LED6-WB-/840 D78 PSR PI6 WH	Vit	IP20/44
911401897982	RS151B LED9-WB-/830 D78 PSR PI6 WH	Vit	IP20/44
911401898182	RS151B LED9-WB-/840 D78 PSR PI6 WH	Vit	IP20/44
911401898282	RS151B LED12-WB-/830 D78 PSR PI6 WH	Vit	IP20/44

## CoreLine Recessed Spot gen2

Order Code	Full Product Name	Armaturhusets färg	Kod för kapslingsklass
911401898482	RS151B LED12-WB-/840 D78 PSR PI6 WH	Vit	IP20/44
911401898582	RS151B LED12-WB-/830 D78 WIA PI6 WH	Vit	IP20/44
911401898682	RS151B LED12-WB-/840 D78 WIA PI6 WH	Vit	IP20/44
911401898882	RS151B LED12-WB-/840 D78 PSD PI10 WH	Vit	IP20/44
911401810584	RS150B LED6-WB-/830 D78 PSR PI6 ALU	Aluminium	IP20/65
911401824484	RS150B LED6-WB-/840 D78 PSR PI6 ALU	Aluminium	IP20/65
911401824584	RS150B LED6-WB-/827 D78 PSR PI6 ALU	Aluminium	IP20/65
911401810384	RS151B LED9-WB-/840 D78 PSR PI6 ALU	Aluminium	IP20/44
911401810484	RS151B LED12-WB-/840 D78 PSR PI6 ALU	Aluminium	IP20/44
911401897582	RS151B LED6-WB-/830 D78 PSR PI6 ALU	Aluminium	IP20/44
911401897782	RS151B LED6-WB-/840 D78 PSR PI6 ALU	Aluminium	IP20/44
911401897882	RS151B LED6-WB-/827 D78 PSR PI6 ALU	Aluminium	IP20/44
911401898082	RS151B LED9-WB-/830 D78 PSR PI6 ALU	Aluminium	IP20/44
911401898382	RS151B LED12-WB-/830 D78 PSR PI6 ALU	Aluminium	IP20/44
911401898782	RS151B LED12-WB-/830 D78 PSD PI10 WH	Vit	IP20/44
911401828685	RS156B LED6-WB-/827 D68 PSR PI6 WH	Vit	IP20/44
911401822484	RS155B LED6-WB-/830 D68 PSR PI6 ALU	Aluminium	IP20/65
911401822784	RS155B LED9-WB-/830 D68 PSR PI6 ALU	Aluminium	IP20/65
911401823084	RS155B LED12-WB-/830 D68 PSR PI6 ALU	Aluminium	IP20/65
911401824684	RS155B LED6-WB-/840 D68 PSR PI6 ALU	Aluminium	IP20/65
911401824784	RS155B LED6-WB-/827 D68 PSR PI6 ALU	Aluminium	IP20/65
911401828785	RS155B LED6-WB-/827 D68 PSR PI6 WH	Vit	IP20/65
911401820584	RS156B LED6-WB-/830 D68 PSR PI6 WH	Vit	IP20/44

Order Code	Full Product Name	Armaturhusets färg	Kod för kapslingsklass
911401820784	RS156B LED6-WB-/840 D68 PSR PI6 WH	Vit	IP20/44
911401821184	RS156B LED9-WB-/830 D68 PSR PI6 WH	Vit	IP20/44
911401821384	RS156B LED9-WB-/840 D68 PSR PI6 WH	Vit	IP20/44
911401821584	RS156B LED12-WB-/830 D68 PSR PI6 WH	Vit	IP20/44
911401821784	RS156B LED12-WB-/840 D68 PSR PI6 WH	Vit	IP20/44
911401821984	RS156B LED12-WB-/830 D68 WIA PI6 WH	Vit	IP20/44
911401822084	RS156B LED12-WB-/840 D68 WIA PI6 WH	Vit	IP20/44
911401822184	RS156B LED12-WB-/830 D68 PSD PI10 WH	Vit	IP20/44
911401822284	RS156B LED12-WB-/840 D68 PSD PI10 WH	Vit	IP20/44
911401822384	RS155B LED6-WB-/830 D68 PSR PI6 WH	Vit	IP20/65
911401822584	RS155B LED6-WB-/840 D68 PSR PI6 WH	Vit	IP20/65
911401822684	RS155B LED9-WB-/830 D68 PSR PI6 WH	Vit	IP20/65
911401822884	RS155B LED9-WB-/840 D68 PSR PI6 WH	Vit	IP20/65
911401822984	RS155B LED12-WB-/830 D68 PSR PI6 WH	Vit	IP20/65
911401823184	RS155B LED12-WB-/840 D68 PSR PI6 WH	Vit	IP20/65
911401820684	RS156B LED6-WB-/830 D68 PSR PI6 ALU	Aluminium	IP20/44
911401820884	RS156B LED6-WB-/840 D68 PSR PI6 ALU	Aluminium	IP20/44
911401820984	RS156B LED6-WB-/827 D68 PSR PI6 ALU	Aluminium	IP20/44
911401821284	RS156B LED9-WB-/830 D68 PSR PI6 ALU	Aluminium	IP20/44
911401821484	RS156B LED9-WB-/840 D68 PSR PI6 ALU	Aluminium	IP20/44
911401821684	RS156B LED12-WB-/830 D68 PSR PI6 ALU	Aluminium	IP20/44
911401821884	RS156B LED12-WB-/840 D68 PSR PI6 ALU	Aluminium	IP20/44

### Ursprunglig prestanda (IEC-kompatibel)

Order Code	Full Product Name	Initial kromaticitet
911401898982	RS150B LED6-WB-/830 D78 PSR PI6 WH	(0.43, 0.40) SDCM <5

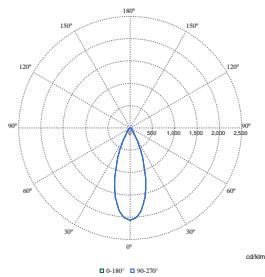
Order Code	Full Product Name	Initial kromaticitet
911401899082	RS150B LED6-WB-/840 D78 PSR PI6 WH	(0.38, 0.38) SDCM <5

# CoreLine Recessed Spot gen2

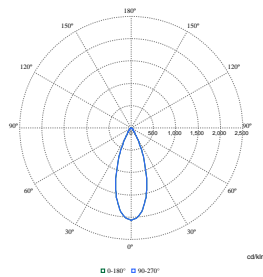
Order Code	Full Product Name	Initial kromaticitet
911401899182	RS150B LED9-WB-/830 D78 PSR PI6 WH	(0.43, 0.40) SDCM <5
911401897482	RS151B LED6-WB-/830 D78 PSR PI6 WH	(0.43, 0.40) SDCM <5
911401897682	RS151B LED6-WB-/840 D78 PSR PI6 WH	(0.38, 0.38) SDCM <5
911401897982	RS151B LED9-WB-/830 D78 PSR PI6 WH	(0.43, 0.40) SDCM <5
911401898182	RS151B LED9-WB-/840 D78 PSR PI6 WH	(0.38, 0.38) SDCM <5
911401898282	RS151B LED12-WB-/830 D78 PSR PI6 WH	(0.43, 0.40) SDCM <5
911401898482	RS151B LED12-WB-/840 D78 PSR PI6 WH	(0.38, 0.38) SDCM <5
911401898582	RS151B LED12-WB-/830 D78 WIA PI6 WH	(0.43, 0.40) SDCM <5
911401898682	RS151B LED12-WB-/840 D78 WIA PI6 WH	(0.38, 0.38) SDCM <5
911401898882	RS151B LED12-WB-/840 D78 PSD PI10 WH	(0.38, 0.38) SDCM <5
911401810584	RS150B LED6-WB-/830 D78 PSR PI6 ALU	(0.43, 0.40) SDCM <5
911401824484	RS150B LED6-WB-/840 D78 PSR PI6 ALU	(0.38, 0.38) SDCM <5
911401824584	RS150B LED6-WB-/827 D78 PSR PI6 ALU	(0.46, 0.41) SDCM <5
911401810384	RS151B LED9-WB-/840 D78 PSR PI6 ALU	(0.38, 0.38) SDCM <5
911401810484	RS151B LED12-WB-/840 D78 PSR PI6 ALU	(0.38, 0.38) SDCM <5
911401897582	RS151B LED6-WB-/830 D78 PSR PI6 ALU	(0.43, 0.40) SDCM <5
911401897782	RS151B LED6-WB-/840 D78 PSR PI6 ALU	(0.38, 0.38) SDCM <5
911401897882	RS151B LED6-WB-/827 D78 PSR PI6 ALU	(0.46, 0.41) SDCM <5
911401898082	RS151B LED9-WB-/830 D78 PSR PI6 ALU	(0.43, 0.40) SDCM <5
911401898382	RS151B LED12-WB-/830 D78 PSR PI6 ALU	(0.43, 0.40) SDCM <5
911401898782	RS151B LED12-WB-/830 D78 PSD PI10 WH	(0.43, 0.40) SDCM <5
911401828685	RS156B LED6-WB-/827 D68 PSR PI6 WH	(0.46, 0.41) SDCM <5
911401822484	RS155B LED6-WB-/830 D68 PSR PI6 ALU	(0.43, 0.40) SDCM <5
911401822784	RS155B LED9-WB-/830 D68 PSR PI6 ALU	(0.43, 0.40) SDCM <5
911401823084	RS155B LED12-WB-/830 D68 PSR PI6 ALU	(0.43, 0.40) SDCM <5
911401824684	RS155B LED6-WB-/840 D68 PSR PI6 ALU	(0.38, 0.38) SDCM <5

Order Code	Full Product Name	Initial kromaticitet
911401824784	RS155B LED6-WB-/827 D68 PSR PI6 ALU	(0.46, 0.41) SDCM <5
911401828785	RS155B LED6-WB-/827 D68 PSR PI6 WH	(0.46, 0.41) SDCM <5
911401820584	RS156B LED6-WB-/830 D68 PSR PI6 WH	(0.43, 0.40) SDCM <5
911401820784	RS156B LED6-WB-/840 D68 PSR PI6 WH	(0.38, 0.38) SDCM <5
911401821184	RS156B LED9-WB-/830 D68 PSR PI6 WH	(0.43, 0.40) SDCM <5
911401821384	RS156B LED9-WB-/840 D68 PSR PI6 WH	(0.38, 0.38) SDCM <5
911401821584	RS156B LED12-WB-/830 D68 PSR PI6 WH	(0.43, 0.40) SDCM <5
911401821784	RS156B LED12-WB-/840 D68 PSR PI6 WH	(0.38, 0.38) SDCM <5
911401821984	RS156B LED12-WB-/830 D68 WIA PI6 WH	(0.43, 0.40) SDCM <5
911401822084	RS156B LED12-WB-/840 D68 WIA PI6 WH	(0.38, 0.38) SDCM <5
911401822184	RS156B LED12-WB-/830 D68 PSD PI10 WH	(0.43, 0.40) SDCM <5
911401822284	RS156B LED12-WB-/840 D68 PSD PI10 WH	(0.38, 0.38) SDCM <5
911401822384	RS155B LED6-WB-/830 D68 PSR PI6 WH	(0.43, 0.40) SDCM <5
911401822584	RS155B LED6-WB-/840 D68 PSR PI6 WH	(0.38, 0.38) SDCM <5
911401822684	RS155B LED9-WB-/830 D68 PSR PI6 WH	(0.43, 0.40) SDCM <5
911401822884	RS155B LED9-WB-/840 D68 PSR PI6 WH	(0.38, 0.38) SDCM <5
911401822984	RS155B LED12-WB-/830 D68 PSR PI6 WH	(0.43, 0.40) SDCM <5
911401823184	RS155B LED12-WB-/840 D68 PSR PI6 WH	(0.38, 0.38) SDCM <5
911401820684	RS156B LED6-WB-/830 D68 PSR PI6 ALU	(0.43, 0.40) SDCM <5
911401820884	RS156B LED6-WB-/840 D68 PSR PI6 ALU	(0.38, 0.38) SDCM <5
911401820984	RS156B LED6-WB-/827 D68 PSR PI6 ALU	(0.46, 0.41) SDCM <5
911401821284	RS156B LED9-WB-/830 D68 PSR PI6 ALU	(0.43, 0.40) SDCM <5
911401821484	RS156B LED9-WB-/840 D68 PSR PI6 ALU	(0.38, 0.38) SDCM <5
911401821684	RS156B LED12-WB-/830 D68 PSR PI6 ALU	(0.43, 0.40) SDCM <5
911401821884	RS156B LED12-WB-/840 D68 PSR PI6 ALU	(0.38, 0.38) SDCM <5

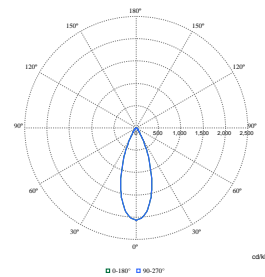
## Polar Wide Diagrams



Polar Normal (separate) - 911401810384



Polar Normal (separate) - 911401810584



Polar Normal (separate) - 911401810484



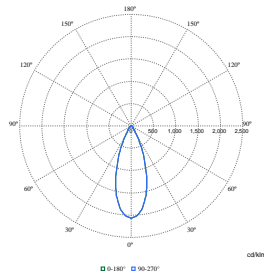
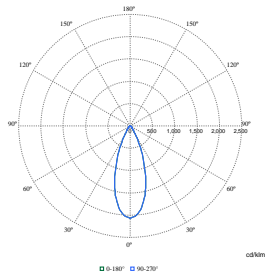






# CoreLine Recessed Spot gen2

## Polar Wide Diagrams



Polar Normal (separate) - 911401899082

Polar Normal (separate) - 911401899182

