



CoreLine Recessed Spot gen2 - Voor elk project waar licht het verschil maakt.

CoreLine Recessed Spot gen2

CoreLine Inbouwspot gen2 maakt de CoreLine-beloofte van innovatieve, gebruiksvriendelijke en hoogwaardige armaturen meer dan waar. Het modulaire ontwerp maakt een "configureer om te passen" optie mogelijk die beter aansluit op je specifieke behoeften. Het assortiment biedt een ruime keuze aan lichtkleuren (CCT), lichtopbrengst, kleurafwerking, frametypen en aansluitmogelijkheden. Het compacte en lichte ontwerp van CoreLine Recessed Spot gen2, altijd voorzien van een insteekconnector die bedrading in/uitlussen mogelijk maakt en een breed scala aan draaddiameters/doorsnede ondersteunt, maakt installatie probleemloos. De hoge lichtkwaliteit, talrijke aansluitmogelijkheden, lange levensduur van de armatuur en hoge systeemefficiëntie maken van CoreLine Recessed Spot gen2 een ideale accentoplossing voor je spots binnenshuis.

Voordelen

- Diversiteit dankzij een modulaair ontwerp, geschikt voor een groot aantal toepassingen
- Opmerkelijk eenvoudig te installeren en te onderhouden
- Compact en licht productontwerp met materialen en afwerking van hoge kwaliteit
- Goede lichtkwaliteit
- Goede prestaties
- Goede prijs-kwaliteitverhouding

CoreLine Recessed Spot gen2

Kenmerken

- Verkrijgbaar in vaste of verstelbare uitvoeringen
- CE-, UKCA- en ENEC-gecertificeerd
- Witte, zwarte of aluminium afwerking
- 650, 900 of 1200 lumen (systeemrendement)
- L70 bij 50.000 uur
- Systeemrendement van 88-107 lm/w, afhankelijk van configuratie
- Kleurweergave-index, CRI >80
- Standaard kleurafwijking, SDCM < 3
- Gecorreleerde lichtkleurtemperatuur van 2700K, 3000 K of 4000 K
- LED-modules met sprankelende lensoptieken
- Chip-On-Board (COB) LED-lampen
- Verscheidene uitwisselbare frame-accessoires
- Alle configuraties ondersteunen een basis isolatiebedekking volgens IEC 60598-1:edit 8.1
- Verschillende connectiviteitsopties: faseafsnijding (PSR), DALI (PSD) of Interact Pro (WIA)
- Dimbare LED driver met hoge prestaties (PSR), compatibel met de meeste muurdimmers op de markt
- Er zijn voor HaloX® 100 betonnen installatiebehuizingen compatibele opties verkrijgbaar

Toepassing

- Horeca
- Winkels
- Kantoren
- Woningen
- Horeca
- Breed scala aan algemene verlichtingstoepassingen voor binnen
- Gangen
- Vergaderruimten
- Badkamers en toiletten
- Ontspanningsruimten
- Schappen en kasten

Waarschuwingen en veiligheid

- De armatuur moet worden geïnstalleerd en gedemonteerd door een gekwalificeerde elektricien en bedraad volgens de nieuwste regelgeving voor elektrische installaties (IEE) of volgens de nationale vereisten, per montageinstructies van het product.

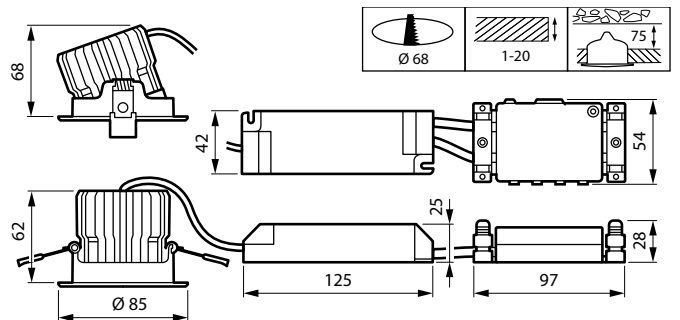
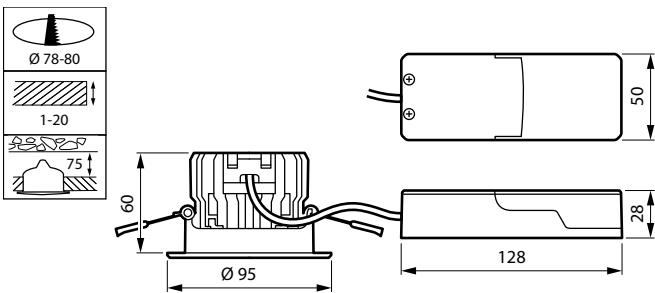
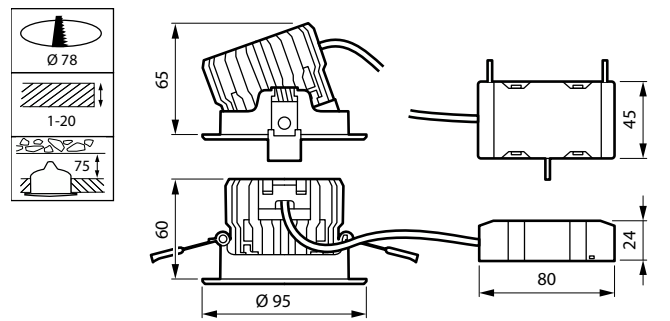
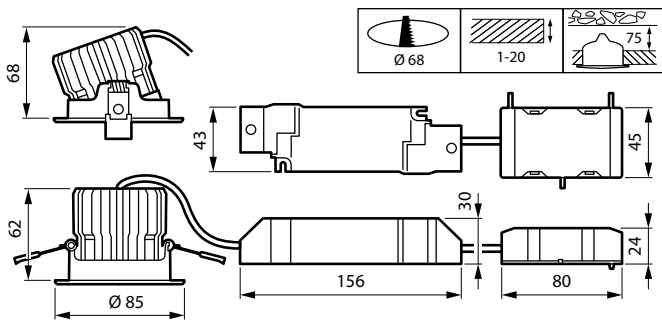
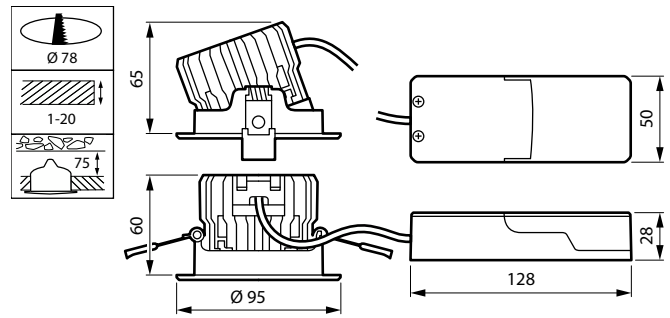
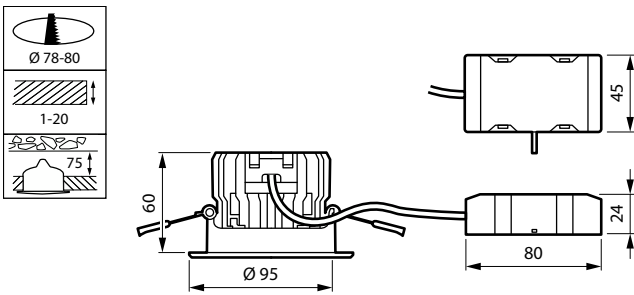
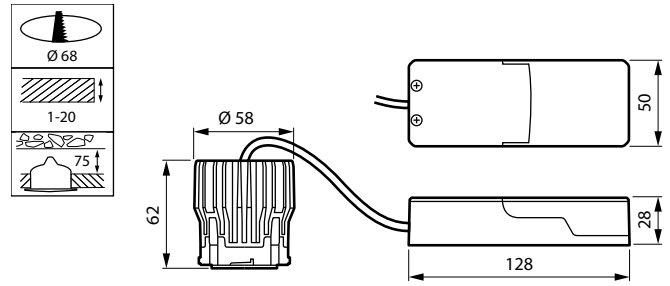
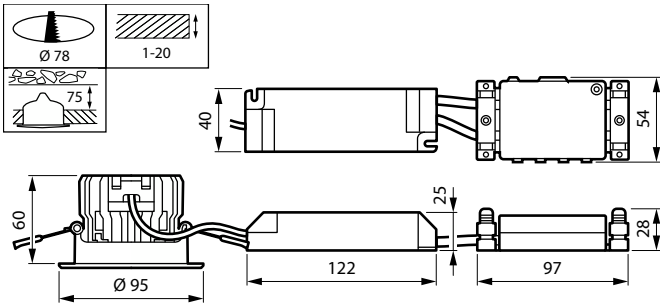
Versions



CoreLine Recessed Spot gen2
D68mm 650-950-1200lm Fix WH

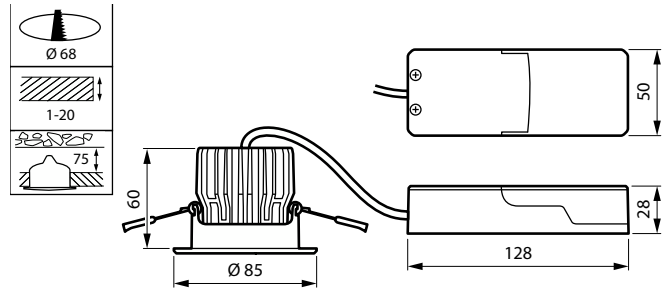
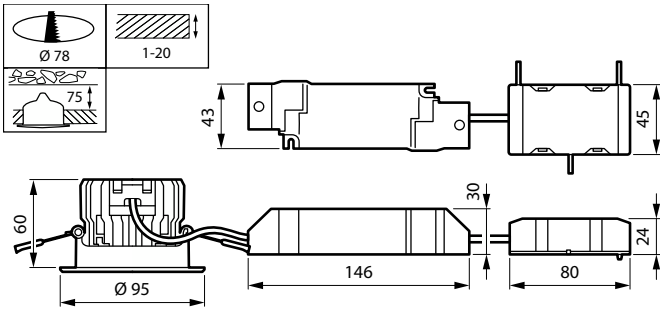
CoreLine Recessed Spot gen2

Maatschets



CoreLine Recessed Spot gen2

Maatschets



Productgegevens



CoreLine_Recessed_Spot-
RS140B-DPP.TIF



CoreLine_Recessed_Spot-RS141B-
DPP.TIF



CoreLine_Recessed_Spot-
RS140B_Fixed_ALU-DPP.TIF



CoreLine_Recessed_Spot-
RS141B_Adjustable_ALU-DPP.TIF



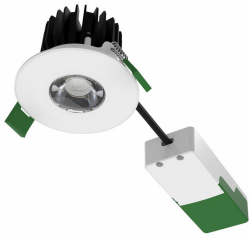
CoreLine Recessed Spot gen2
D68mm 650-950-1200lm
Adjustable WH DDP



CoreLine Recessed Spot gen2
D68mm 650-950-1200lm Fix WH
DDP

CoreLine Recessed Spot gen2

Productgegevens



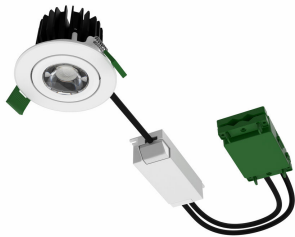
CoreLine Recessed Spot gen2
D68mm 650-950-1200lm Fix WH
DDP



CoreLine Recessed Spot gen2
D68mm 650-950-1200lm
Adjustable WH DDP



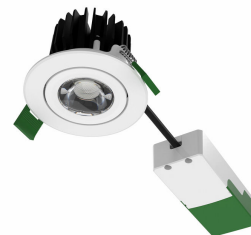
CoreLine Recessed Spot gen2
D68mm 650-950-1200lm Fix ALU
DDP



CoreLine Recessed Spot gen2
D68mm 1200lm Adjustable PSD
WH DDP



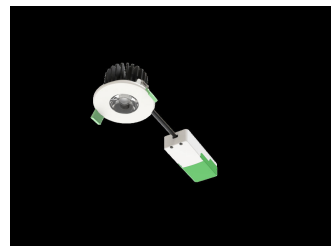
CoreLine Recessed Spot gen2
D78mm 1200lm PSD Adjustable



CoreLine Recessed Spot gen2
D68mm 650-950-1200lm
Adjustable WH DDP



CoreLine Recessed Spot gen2
D68mm 650-950-1200lm
Adjustable ALU DDP



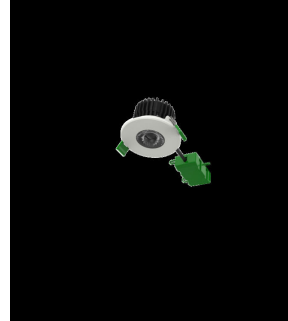
CoreLine Recessed Spot gen2
D78mm 1200lm PSR Fix

CoreLine Recessed Spot gen2

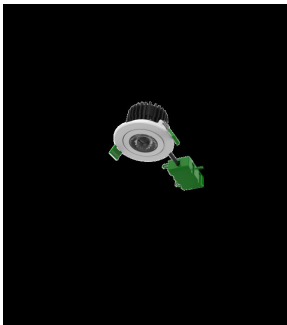
Productgegevens



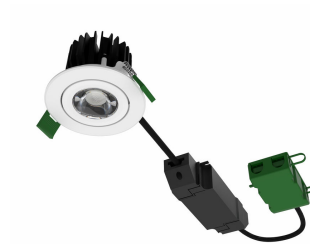
CoreLine Recessed Spot gen2
D68mm 650-950-1200lm
Adjustable ALU DDP



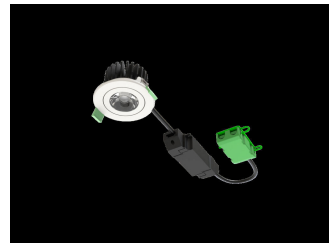
CoreLine Recessed Spot gen2
D78mm 650-950lm Fix



CoreLine Recessed Spot gen2
D78mm 650-900lm PSR
Adjustable



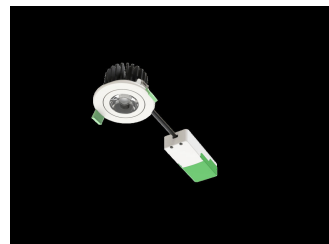
CoreLine Recessed Spot gen2
D68mm 1200lm Adjustable WIA
WH DDP



CoreLine Recessed Spot gen2
D78mm 1200lm WIA Adjustable



CoreLine Recessed Spot gen2
D68mm 650-950-1200lm
Adjustable ALU DDP



CoreLine Recessed Spot gen2
D78mm 1200lm PSR Adjustable

CoreLine Recessed Spot gen2

Algemene informatie

Driver/VSA inbegrepen	Ja
Lichtbron vervangbaar	Ja
Aantal VSA's	1 unit

Gegevens lichttechniek

Bundelhoek lichtbron	120 graden
Kleurweergave-index (CRI)	>80
Optiektype	Brede bundel

Bedrijfs- en elektrische gegevens

IEC beschermingsklasse	Veiligheidsklasse II
Ingangsspanning	220 tot 240 V
Ingangsfrequentie	50 or 60 Hz
Geschikt voor willekeurige schakeling	Nee

Dimbaarheid en regelsystemen

Dimbaar	Ja
Maximaal dimniveau	10% (afhankelijk van de dimmer, ELV)

Eigenschappen behuizing en afmetingen

IK-classificatie	IK03
------------------	------

Keurmerken en classificaties

Bereik omgevingstemperatuur	0 tot +35 °C
CE-markering	Ja
ENEC-markering	ENEC-markering
Brandbaarheidsmarkering	Voor montage op normaal brandbare oppervlakken
Gloeidraadtest	Temperatuur 650 °C, duur 30 s
Flikkerwaarde (PstLM)	1
Stroboscoopeffectwaarde (SVM)	0,4

Initiële prestaties (conform IEC)

Tolerantie lichtstroom	+/-10%
------------------------	--------

Gegevens lichttechniek

Order Code	Full Product Name	Gecorreleerde kleurtemperatuur (nom.)	Lichtrendement (gespec.) (nom.)	Lichtstroom
8719514548268	RS150B LED6-WB-/830 D78 PSR PI6 WH	3000 K	90 lm/W	650 lm
8719514548275	RS150B LED6-WB-/840 D78 PSR PI6 WH	4000 K	90 lm/W	650 lm
8719514548282	RS150B LED9-WB-/830 D78 PSR PI6 WH	3000 K	88 lm/W	900 lm
8719514548299	RS150B LED9-WB-/840 D78 PSR PI6 WH	4000 K	88 lm/W	900 lm
8719514548305	RS150B LED12-WB-/830 D78 PSR PI6 WH	3000 K	98 lm/W	1.200 lm
8719514548312	RS150B LED12-WB-/840 D78 PSR PI6 WH	4000 K	98 lm/W	1.200 lm
8719514548114	RS151B LED6-WB-/830 D78 PSR PI6 WH	3000 K	90 lm/W	650 lm
8719514548138	RS151B LED6-WB-/840 D78 PSR PI6 WH	4000 K	90 lm/W	650 lm
8719514548169	RS151B LED9-WB-/830 D78 PSR PI6 WH	3000 K	88 lm/W	900 lm
8719514548183	RS151B LED9-WB-/840 D78 PSR PI6 WH	4000 K	88 lm/W	900 lm
8719514548190	RS151B LED12-WB-/830 D78 PSR PI6 WH	3000 K	98 lm/W	1.200 lm
8719514548213	RS151B LED12-WB-/840 D78 PSR PI6 WH	4000 K	98 lm/W	1.200 lm
8719514548220	RS151B LED12-WB-/830 D78 WIA PI6 WH	3000 K	100 lm/W	1.200 lm
8719514548237	RS151B LED12-WB-/840 D78 WIA PI6 WH	4000 K	100 lm/W	1.200 lm
8719514548251	RS151B LED12-WB-/840 D78 PSD PI10 WH	4000 K	98 lm/W	1.200 lm
8719514938205	RS150B LED6-WB-/830 D78 PSR PI6 ALU	3000 K	90 lm/W	650 lm
8719514938212	RS150B LED9-WB-/830 D78 PSR PI6 ALU	3000 K	88 lm/W	900 lm
8719514938229	RS150B LED12-WB-/830 D78 PSR PI6 ALU	3000 K	98 lm/W	1.200 lm
8719514941663	RS150B LED6-WB-/840 D78 PSR PI6 ALU	4000 K	90 lm/W	650 lm
8719514941670	RS150B LED6-WB-/827 D78 PSR PI6 ALU	2700 K	90 lm/W	650 lm
8719514938182	RS151B LED9-WB-/840 D78 PSR PI6 ALU	4000 K	88 lm/W	900 lm
8719514938199	RS151B LED12-WB-/840 D78 PSR PI6 ALU	4000 K	98 lm/W	1.200 lm
8719514548121	RS151B LED6-WB-/830 D78 PSR PI6 ALU	3000 K	90 lm/W	650 lm
8719514548145	RS151B LED6-WB-/840 D78 PSR PI6 ALU	4000 K	90 lm/W	650 lm

CoreLine Recessed Spot gen2

Order Code	Full Product Name	Gecorreleerde kleurtemperatuur (nom.)	Lichtrendement (gespec.) (nom.)	Lichtstroom
8719514548152	RS151B LED6-WB-/827 D78 PSR PI6 ALU	2700 K	90 lm/W	650 lm
8719514548176	RS151B LED9-WB-/830 D78 PSR PI6 ALU	3000 K	88 lm/W	900 lm
8719514548206	RS151B LED12-WB-/830 D78 PSR PI6 ALU	3000 K	98 lm/W	1.200 lm
8719514548244	RS151B LED12-WB-/830 D78 PSD PI10 WH	3000 K	98 lm/W	1.200 lm
8719514940987	RS155B LED6-WB-/830 D68 PSR PI6 ALU	3000 K	104 lm/W	750 lm
8719514941014	RS155B LED9-WB-/830 D68 PSR PI6 ALU	3000 K	98 lm/W	1.000 lm
8719514941045	RS155B LED12-WB-/830 D68 PSR PI6 ALU	3000 K	105 lm/W	1.300 lm
8719514941687	RS155B LED6-WB-/840 D68 PSR PI6 ALU	4000 K	110 lm/W	800 lm
8719514941694	RS155B LED6-WB-/827 D68 PSR PI6 ALU	2700 K	100 lm/W	720 lm
8719514940796	RS156B LED6-WB-/830 D68 PSR PI6 WH	3000 K	104 lm/W	750 lm
8719514940819	RS156B LED6-WB-/840 D68 PSR PI6 WH	4000 K	110 lm/W	800 lm
8719514940857	RS156B LED9-WB-/830 D68 PSR PI6 WH	3000 K	98 lm/W	1.000 lm
8719514940871	RS156B LED9-WB-/840 D68 PSR PI6 WH	4000 K	105 lm/W	1.080 lm
8719514940895	RS156B LED12-WB-/830 D68 PSR PI6 WH	3000 K	105 lm/W	1.300 lm
8719514940918	RS156B LED12-WB-/840 D68 PSR PI6 WH	4000 K	112 lm/W	1.380 lm
8719514940932	RS156B LED12-WB-/830 D68 WIA PI6 WH	3000 K	108 lm/W	1.300 lm
8719514940949	RS156B LED12-WB-/840 D68 WIA PI6 WH	4000 K	115 lm/W	1.380 lm
8719514940956	RS156B LED12-WB-/830 D68 PSD PI10 WH	3000 K	105 lm/W	1.300 lm
8719514940963	RS156B LED12-WB-/840 D68 PSD PI10 WH	4000 K	112 lm/W	1.380 lm
8719514940970	RS155B LED6-WB-/830 D68 PSR PI6 WH	3000 K	104 lm/W	750 lm
8719514940994	RS155B LED6-WB-/840 D68 PSR PI6 WH	4000 K	110 lm/W	800 lm
8719514941007	RS155B LED9-WB-/830 D68 PSR PI6 WH	3000 K	98 lm/W	1.000 lm
8719514941021	RS155B LED9-WB-/840 D68 PSR PI6 WH	4000 K	105 lm/W	1.080 lm
8719514941038	RS155B LED12-WB-/830 D68 PSR PI6 WH	3000 K	105 lm/W	1.300 lm
8719514941052	RS155B LED12-WB-/840 D68 PSR PI6 WH	4000 K	112 lm/W	1.380 lm

CoreLine Recessed Spot gen2

Order Code	Full Product Name	Gecorreleerde		Lichtstroom
		kleurtemperatuur (nom.)	Lichtrendement (gespec.) (nom.)	
8719514940802	RS156B LED6-WB-/830 D68 PSR PI6 ALU	3000 K	104 lm/W	750 lm
8719514940826	RS156B LED6-WB-/840 D68 PSR PI6 ALU	4000 K	110 lm/W	800 lm
8719514940833	RS156B LED6-WB-/827 D68 PSR PI6 ALU	2700 K	100 lm/W	720 lm
8719514940864	RS156B LED9-WB-/830 D68 PSR PI6 ALU	3000 K	98 lm/W	1.000 lm
8719514940888	RS156B LED9-WB-/840 D68 PSR PI6 ALU	4000 K	105 lm/W	1.080 lm
8719514940901	RS156B LED12-WB-/830 D68 PSR PI6 ALU	3000 K	105 lm/W	1.300 lm
8719514940925	RS156B LED12-WB-/840 D68 PSR PI6 ALU	4000 K	112 lm/W	1.380 lm

Bedrijfs- en elektrische gegevens

Order Code	Full Product Name	Energieverbruik	Order Code	Full Product Name	Energieverbruik
8719514548268	RS150B LED6-WB-/830 D78 PSR PI6 WH	7,2 W	8719514940987	RS155B LED6-WB-/830 D68 PSR PI6 ALU	7,2 W
8719514548275	RS150B LED6-WB-/840 D78 PSR PI6 WH	7,2 W	8719514941014	RS155B LED9-WB-/830 D68 PSR PI6 ALU	10,2 W
8719514548282	RS150B LED9-WB-/830 D78 PSR PI6 WH	10,2 W	8719514941045	RS155B LED12-WB-/830 D68 PSR PI6 ALU	12,3 W
8719514548299	RS150B LED9-WB-/840 D78 PSR PI6 WH	10,2 W	8719514941687	RS155B LED6-WB-/840 D68 PSR PI6 ALU	7,2 W
8719514548305	RS150B LED12-WB-/830 D78 PSR PI6 WH	12,3 W	8719514941694	RS155B LED6-WB-/827 D68 PSR PI6 ALU	7,2 W
8719514548312	RS150B LED12-WB-/840 D78 PSR PI6 WH	12,3 W	8719514940796	RS156B LED6-WB-/830 D68 PSR PI6 WH	7,2 W
8719514548114	RS151B LED6-WB-/830 D78 PSR PI6 WH	7,2 W	8719514940819	RS156B LED6-WB-/840 D68 PSR PI6 WH	7,2 W
8719514548138	RS151B LED6-WB-/840 D78 PSR PI6 WH	7,2 W	8719514940857	RS156B LED9-WB-/830 D68 PSR PI6 WH	10,2 W
8719514548169	RS151B LED9-WB-/830 D78 PSR PI6 WH	10,2 W	8719514940871	RS156B LED9-WB-/840 D68 PSR PI6 WH	10,2 W
8719514548183	RS151B LED9-WB-/840 D78 PSR PI6 WH	10,2 W	8719514940895	RS156B LED12-WB-/830 D68 PSR PI6 WH	12,3 W
8719514548190	RS151B LED12-WB-/830 D78 PSR PI6 WH	12,3 W	8719514940918	RS156B LED12-WB-/840 D68 PSR PI6 WH	12,3 W
8719514548213	RS151B LED12-WB-/840 D78 PSR PI6 WH	12,3 W	8719514940932	RS156B LED12-WB-/830 D68 WIA PI6 WH	12 W
8719514548220	RS151B LED12-WB-/830 D78 WIA PI6 WH	12 W	8719514940949	RS156B LED12-WB-/840 D68 WIA PI6 WH	12 W
8719514548237	RS151B LED12-WB-/840 D78 WIA PI6 WH	12 W	8719514940956	RS156B LED12-WB-/830 D68 PSD PI10 WH	12,3 W
8719514548251	RS151B LED12-WB-/840 D78 PSD PI10 WH	12,3 W	8719514940963	RS156B LED12-WB-/840 D68 PSD PI10 WH	12,3 W
8719514938205	RS150B LED6-WB-/830 D78 PSR PI6 ALU	7,2 W	8719514940970	RS155B LED6-WB-/830 D68 PSR PI6 WH	7,2 W
8719514938212	RS150B LED9-WB-/830 D78 PSR PI6 ALU	10,2 W	8719514940994	RS155B LED6-WB-/840 D68 PSR PI6 WH	7,2 W
8719514938229	RS150B LED12-WB-/830 D78 PSR PI6 ALU	12,3 W	8719514941007	RS155B LED9-WB-/830 D68 PSR PI6 WH	10,2 W
8719514941663	RS150B LED6-WB-/840 D78 PSR PI6 ALU	7,2 W	8719514941021	RS155B LED9-WB-/840 D68 PSR PI6 WH	10,2 W
8719514941670	RS150B LED6-WB-/827 D78 PSR PI6 ALU	7,2 W	8719514941038	RS155B LED12-WB-/830 D68 PSR PI6 WH	12,3 W
8719514938182	RS151B LED9-WB-/840 D78 PSR PI6 ALU	10,2 W	8719514941052	RS155B LED12-WB-/840 D68 PSR PI6 WH	12,3 W
8719514938199	RS151B LED12-WB-/840 D78 PSR PI6 ALU	12,3 W	8719514940802	RS156B LED6-WB-/830 D68 PSR PI6 ALU	7,2 W
8719514548121	RS151B LED6-WB-/830 D78 PSR PI6 ALU	7,2 W	8719514940826	RS156B LED6-WB-/840 D68 PSR PI6 ALU	7,2 W
8719514548145	RS151B LED6-WB-/840 D78 PSR PI6 ALU	7,2 W	8719514940833	RS156B LED6-WB-/827 D68 PSR PI6 ALU	7,2 W
8719514548152	RS151B LED6-WB-/827 D78 PSR PI6 ALU	7,2 W	8719514940864	RS156B LED9-WB-/830 D68 PSR PI6 ALU	10,2 W
8719514548176	RS151B LED9-WB-/830 D78 PSR PI6 ALU	10,2 W	8719514940888	RS156B LED9-WB-/840 D68 PSR PI6 ALU	10,2 W
8719514548206	RS151B LED12-WB-/830 D78 PSR PI6 ALU	12,3 W	8719514940901	RS156B LED12-WB-/830 D68 PSR PI6 ALU	12,3 W
8719514548244	RS151B LED12-WB-/830 D78 PSD PI10 WH	12,3 W	8719514940925	RS156B LED12-WB-/840 D68 PSR PI6 ALU	12,3 W

Eigenschappen behuizing en afmetingen

CoreLine Recessed Spot gen2

Order Code	Full Product Name	Kleur	
		behuizing	Beschermingsklasse
8719514548268	RS150B LED6-WB-/830 D78 PSR PI6 WH	Wit	IP 20/65
8719514548275	RS150B LED6-WB-/840 D78 PSR PI6 WH	Wit	IP 20/65
8719514548282	RS150B LED9-WB-/830 D78 PSR PI6 WH	Wit	IP 20/65
8719514548299	RS150B LED9-WB-/840 D78 PSR PI6 WH	Wit	IP 20/65
8719514548305	RS150B LED12-WB-/830 D78 PSR PI6 WH	Wit	IP 20/65
8719514548312	RS150B LED12-WB-/840 D78 PSR PI6 WH	Wit	IP 20/65
8719514548114	RS151B LED6-WB-/830 D78 PSR PI6 WH	Wit	IP 20/44
8719514548138	RS151B LED6-WB-/840 D78 PSR PI6 WH	Wit	IP 20/44
8719514548169	RS151B LED9-WB-/830 D78 PSR PI6 WH	Wit	IP 20/44
8719514548183	RS151B LED9-WB-/840 D78 PSR PI6 WH	Wit	IP 20/44
8719514548190	RS151B LED12-WB-/830 D78 PSR PI6 WH	Wit	IP 20/44
8719514548213	RS151B LED12-WB-/840 D78 PSR PI6 WH	Wit	IP 20/44
8719514548220	RS151B LED12-WB-/830 D78 WIA PI6 WH	Wit	IP 20/44
8719514548237	RS151B LED12-WB-/840 D78 WIA PI6 WH	Wit	IP 20/44
8719514548251	RS151B LED12-WB-/840 D78 PSD PI10 WH	Wit	IP 20/44
8719514938205	RS150B LED6-WB-/830 D78 PSR PI6 ALU	Aluminium	IP 20/65
8719514938212	RS150B LED9-WB-/830 D78 PSR PI6 ALU	Aluminium	IP 20/65
8719514938229	RS150B LED12-WB-/830 D78 PSR PI6 ALU	Aluminium	IP 20/65
8719514941663	RS150B LED6-WB-/840 D78 PSR PI6 ALU	Aluminium	IP 20/65
8719514941670	RS150B LED6-WB-/827 D78 PSR PI6 ALU	Aluminium	IP 20/65
8719514938182	RS151B LED9-WB-/840 D78 PSR PI6 ALU	Aluminium	IP 20/44
8719514938199	RS151B LED12-WB-/840 D78 PSR PI6 ALU	Aluminium	IP 20/44
8719514548121	RS151B LED6-WB-/830 D78 PSR PI6 ALU	Aluminium	IP 20/44
8719514548145	RS151B LED6-WB-/840 D78 PSR PI6 ALU	Aluminium	IP 20/44
8719514548152	RS151B LED6-WB-/827 D78 PSR PI6 ALU	Aluminium	IP 20/44

Order Code	Full Product Name	Kleur	
		behuizing	Beschermingsklasse
8719514548176	RS151B LED9-WB-/830 D78 PSR PI6 ALU	Aluminium	IP 20/44
8719514548206	RS151B LED12-WB-/830 D78 PSR PI6 ALU	Aluminium	IP 20/44
8719514548244	RS151B LED12-WB-/830 D78 PSD PI10 WH	Wit	IP 20/44
8719514940987	RS155B LED6-WB-/830 D68 PSR PI6 ALU	Aluminium	IP 20/65
8719514941014	RS155B LED9-WB-/830 D68 PSR PI6 ALU	Aluminium	IP 20/65
8719514941045	RS155B LED12-WB-/830 D68 PSR PI6 ALU	Aluminium	IP 20/65
8719514941687	RS155B LED6-WB-/840 D68 PSR PI6 ALU	Aluminium	IP 20/65
8719514941694	RS155B LED6-WB-/827 D68 PSR PI6 ALU	Aluminium	IP 20/65
8719514940796	RS156B LED6-WB-/830 D68 PSR PI6 WH	Wit	IP 20/44
8719514940819	RS156B LED6-WB-/840 D68 PSR PI6 WH	Wit	IP 20/44
8719514940857	RS156B LED9-WB-/830 D68 PSR PI6 WH	Wit	IP 20/44
8719514940871	RS156B LED9-WB-/840 D68 PSR PI6 WH	Wit	IP 20/44
8719514940895	RS156B LED12-WB-/830 D68 PSR PI6 WH	Wit	IP 20/44
8719514940918	RS156B LED12-WB-/840 D68 PSR PI6 WH	Wit	IP 20/44
8719514940932	RS156B LED12-WB-/830 D68 WIA PI6 WH	Wit	IP 20/44
8719514940949	RS156B LED12-WB-/840 D68 WIA PI6 WH	Wit	IP 20/44
8719514940956	RS156B LED12-WB-/830 D68 PSD PI10 WH	Wit	IP 20/44
8719514940963	RS156B LED12-WB-/840 D68 PSD PI10 WH	Wit	IP 20/44
8719514940970	RS155B LED6-WB-/830 D68 PSR PI6 WH	Wit	IP 20/65
8719514940994	RS155B LED6-WB-/840 D68 PSR PI6 WH	Wit	IP 20/65
8719514941007	RS155B LED9-WB-/830 D68 PSR PI6 WH	Wit	IP 20/65
8719514941021	RS155B LED9-WB-/840 D68 PSR PI6 WH	Wit	IP 20/65
8719514941038	RS155B LED12-WB-/830 D68 PSR PI6 WH	Wit	IP 20/65
8719514941052	RS155B LED12-WB-/840 D68 PSR PI6 WH	Wit	IP 20/65
8719514940802	RS156B LED6-WB-/830 D68 PSR PI6 ALU	Aluminium	IP 20/44

CoreLine Recessed Spot gen2

Order Code	Full Product Name	Kleur	
		behuizing	Beschermingsklasse
8719514940826	RS156B LED6-WB-/840 D68 PSR PI6 ALU	Aluminium	IP 20/44
8719514940833	RS156B LED6-WB-/827 D68 PSR PI6 ALU	Aluminium	IP 20/44
8719514940864	RS156B LED9-WB-/830 D68 PSR PI6 ALU	Aluminium	IP 20/44

Order Code	Full Product Name	Kleur	
		behuizing	Beschermingsklasse
8719514940888	RS156B LED9-WB-/840 D68 PSR PI6 ALU	Aluminium	IP 20/44
8719514940901	RS156B LED12-WB-/830 D68 PSR PI6 ALU	Aluminium	IP 20/44
8719514940925	RS156B LED12-WB-/840 D68 PSR PI6 ALU	Aluminium	IP 20/44

Initiële prestaties (conform IEC)

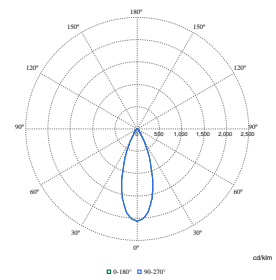
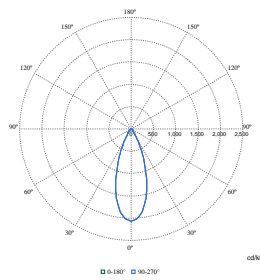
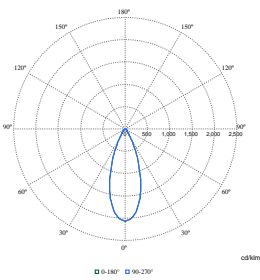
Order Code	Full Product Name	Aanvankelijke kleurkwaliteit
8719514548268	RS150B LED6-WB-/830 D78 PSR PI6 WH	(0.43, 0.40) SDCM <5
8719514548275	RS150B LED6-WB-/840 D78 PSR PI6 WH	(0.38, 0.38) SDCM <5
8719514548282	RS150B LED9-WB-/830 D78 PSR PI6 WH	(0.43, 0.40) SDCM <5
8719514548299	RS150B LED9-WB-/840 D78 PSR PI6 WH	(0.38, 0.38) SDCM <5
8719514548305	RS150B LED12-WB-/830 D78 PSR PI6 WH	(0.43, 0.40) SDCM <5
8719514548312	RS150B LED12-WB-/840 D78 PSR PI6 WH	(0.38, 0.38) SDCM <5
8719514548114	RS151B LED6-WB-/830 D78 PSR PI6 WH	(0.43, 0.40) SDCM <5
8719514548138	RS151B LED6-WB-/840 D78 PSR PI6 WH	(0.38, 0.38) SDCM <5
8719514548169	RS151B LED9-WB-/830 D78 PSR PI6 WH	(0.43, 0.40) SDCM <5
8719514548183	RS151B LED9-WB-/840 D78 PSR PI6 WH	(0.38, 0.38) SDCM <5
8719514548190	RS151B LED12-WB-/830 D78 PSR PI6 WH	(0.43, 0.40) SDCM <5
8719514548213	RS151B LED12-WB-/840 D78 PSR PI6 WH	(0.38, 0.38) SDCM <5
8719514548220	RS151B LED12-WB-/830 D78 WIA PI6 WH	(0.43, 0.40) SDCM <5
8719514548237	RS151B LED12-WB-/840 D78 WIA PI6 WH	(0.38, 0.38) SDCM <5
8719514548251	RS151B LED12-WB-/840 D78 PSD PI10 WH	(0.38, 0.38) SDCM <5
8719514938205	RS150B LED6-WB-/830 D78 PSR PI6 ALU	(0.43, 0.40) SDCM <5
8719514938212	RS150B LED9-WB-/830 D78 PSR PI6 ALU	(0.43, 0.40) SDCM <5
8719514938229	RS150B LED12-WB-/830 D78 PSR PI6 ALU	(0.43, 0.40) SDCM <5
8719514941663	RS150B LED6-WB-/840 D78 PSR PI6 ALU	(0.38, 0.38) SDCM <5
8719514941670	RS150B LED6-WB-/827 D78 PSR PI6 ALU	(0.46, 0.41) SDCM <5

Order Code	Full Product Name	Aanvankelijke kleurkwaliteit
8719514938182	RS151B LED9-WB-/840 D78 PSR PI6 ALU	(0.38, 0.38) SDCM <5
8719514938199	RS151B LED12-WB-/840 D78 PSR PI6 ALU	(0.38, 0.38) SDCM <5
8719514548121	RS151B LED6-WB-/830 D78 PSR PI6 ALU	(0.43, 0.40) SDCM <5
8719514548145	RS151B LED6-WB-/840 D78 PSR PI6 ALU	(0.38, 0.38) SDCM <5
8719514548152	RS151B LED6-WB-/827 D78 PSR PI6 ALU	(0.46, 0.41) SDCM <5
8719514548176	RS151B LED9-WB-/830 D78 PSR PI6 ALU	(0.43, 0.40) SDCM <5
8719514548206	RS151B LED12-WB-/830 D78 PSR PI6 ALU	(0.43, 0.40) SDCM <5
8719514548244	RS151B LED12-WB-/830 D78 PSD PI10 WH	(0.43, 0.40) SDCM <5
8719514940987	RS155B LED6-WB-/830 D68 PSR PI6 ALU	(0.43, 0.40) SDCM <5
8719514941014	RS155B LED9-WB-/830 D68 PSR PI6 ALU	(0.43, 0.40) SDCM <5
8719514941045	RS155B LED12-WB-/830 D68 PSR PI6 ALU	(0.43, 0.40) SDCM <5
8719514941687	RS155B LED6-WB-/840 D68 PSR PI6 ALU	(0.38, 0.38) SDCM <5
8719514941694	RS155B LED6-WB-/827 D68 PSR PI6 ALU	(0.46, 0.41) SDCM <5
8719514940796	RS156B LED6-WB-/830 D68 PSR PI6 WH	(0.43, 0.40) SDCM <5
8719514940819	RS156B LED6-WB-/840 D68 PSR PI6 WH	(0.38, 0.38) SDCM <5
8719514940857	RS156B LED9-WB-/830 D68 PSR PI6 WH	(0.43, 0.40) SDCM <5
8719514940871	RS156B LED9-WB-/840 D68 PSR PI6 WH	(0.38, 0.38) SDCM <5
8719514940895	RS156B LED12-WB-/830 D68 PSR PI6 WH	(0.43, 0.40) SDCM <5
8719514940918	RS156B LED12-WB-/840 D68 PSR PI6 WH	(0.38, 0.38) SDCM <5
8719514940932	RS156B LED12-WB-/830 D68 WIA PI6 WH	(0.43, 0.40) SDCM <5

CoreLine Recessed Spot gen2

Order Code	Full Product Name	Aanvankelijke kleurkwaliteit	Order Code	Full Product Name	Aanvankelijke kleurkwaliteit
8719514940949	RS156B LED12-WB-/840 D68 WIA PI6 WH	(0.38, 0.38) SDCM <5	8719514941052	RS155B LED12-WB-/840 D68 PSR PI6 WH	(0.38, 0.38) SDCM <5
8719514940956	RS156B LED12-WB-/830 D68 PSD PI10 WH	(0.43, 0.40) SDCM <5	8719514940802	RS156B LED6-WB-/830 D68 PSR PI6 ALU	(0.43, 0.40) SDCM <5
8719514940963	RS156B LED12-WB-/840 D68 PSD PI10 WH	(0.38, 0.38) SDCM <5	8719514940826	RS156B LED6-WB-/840 D68 PSR PI6 ALU	(0.38, 0.38) SDCM <5
8719514940970	RS155B LED6-WB-/830 D68 PSR PI6 WH	(0.43, 0.40) SDCM <5	8719514940833	RS156B LED6-WB-/827 D68 PSR PI6 ALU	(0.46, 0.41) SDCM <5
8719514940994	RS155B LED6-WB-/840 D68 PSR PI6 WH	(0.38, 0.38) SDCM <5	8719514940864	RS156B LED9-WB-/830 D68 PSR PI6 ALU	(0.43, 0.40) SDCM <5
8719514941007	RS155B LED9-WB-/830 D68 PSR PI6 WH	(0.43, 0.40) SDCM <5	8719514940888	RS156B LED9-WB-/840 D68 PSR PI6 ALU	(0.38, 0.38) SDCM <5
8719514941021	RS155B LED9-WB-/840 D68 PSR PI6 WH	(0.38, 0.38) SDCM <5	8719514940901	RS156B LED12-WB-/830 D68 PSR PI6 ALU	(0.43, 0.40) SDCM <5
8719514941038	RS155B LED12-WB-/830 D68 PSR PI6 WH	(0.43, 0.40) SDCM <5	8719514940925	RS156B LED12-WB-/840 D68 PSR PI6 ALU	(0.38, 0.38) SDCM <5

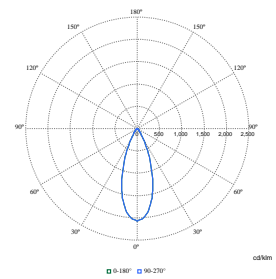
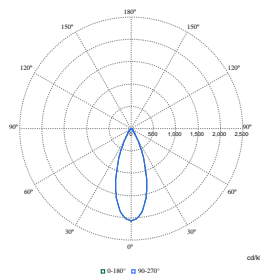
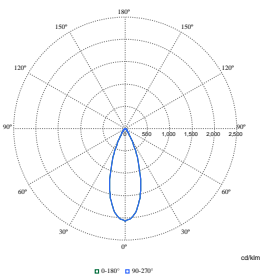
Polar Wide Diagrams



Polar Normal (separate) - 911401810384

Polar Normal (separate) - 911401810584

Polar Normal (separate) - 911401810484



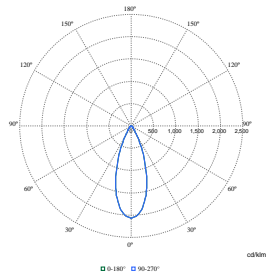
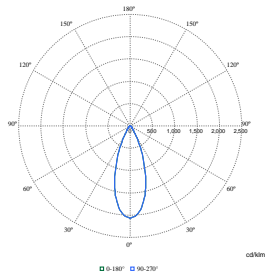
Polar Normal (separate) - 911401810684

Polar Normal (separate) - 911401810784

Polar Normal (separate) - 911401824484

CoreLine Recessed Spot gen2

Polar Wide Diagrams



Polar Normal (separate) - 911401899482

Polar Normal (separate) - 911401899382

