



Install smarter, finish sooner. Choose long-lasting reliability and performance.

CoreLine Recessed Spot gen2

CoreLine Recessed Spot gen2 delivers on the CoreLine promise of innovative, easy to use and high-quality luminaires. Its modular design allows 'configure to fit' option that better responds to your specific needs. The range offers a wide range choice on light colour (CCT), light output, colour finish, frame types and connectivity options. The compact and lite design of CoreLine Recessed Spot gen2, always incorporating a push in connector allowing loop in/out wiring and supporting a wide range of wire diameters/cross-sectional area, makes installation hassle-free. High quality of light, numerous connectivity options, long luminaire lifetime and high system efficacy make CoreLine Recessed Spot gen2 an ideal accent solution for your indoor spot lighting applications.

Benefits

- Diversity thanks to modular design, responding to a wide range of needs
- Notably easy to install and maintain
- Compact and light product design with high-quality materials and finish
- Good quality of light
- Good performance
- Good value for money

CoreLine Recessed Spot gen2

Features

- Available in fixed or adjustable versions
- CE, UKCA and ENEC certified
- White, black or aluminium finish
- 650, 900 or 1200 lumens (system output)
- L70 at 50.000 h
- System efficacy of 88 to 107 lm/w, depending on configuration
- Colour Rendering Index, CRI >80
- Standard colour deviation, SDCM < 3
- Correlated light colour temperature of 2,700 K, 3,000 K or 4,000 K
- LED Modules with sparkly lens optics
- Chip-on-board LED light source
- Various interchangeable frame accessories
- All configurations support basic insulation coverability as per IEC 60598-1:edit 8.1
- Various connectivity options: Phase-Cut (PSR), DALI (PSD) or Interact Pro (WIA)
- High-performance dimming driver (PSR) compatible with most wall-dimmers in the market
- Halox® 100 concrete installation housing compatible options available

Application

- Hospitality
- Retail
- Offices
- Residential
- HoReCa
- Wide range of general indoor applications
- Corridors
- Meeting rooms
- Bathrooms and toilets
- Break-out areas
- Shelf and cabinets

Warnings and Safety

- The luminaire should be installed and disassembled by a qualified electrician and wired in accordance with the latest IEE electrical regulations or the national requirements, as per the product mounting instructions.

Versions



CoreLine Recessed Spot-RS140B
Fixed ALU



CoreLine Recessed Spot-RS141B
Adjustable ALU

CoreLine Recessed Spot gen2

Versions

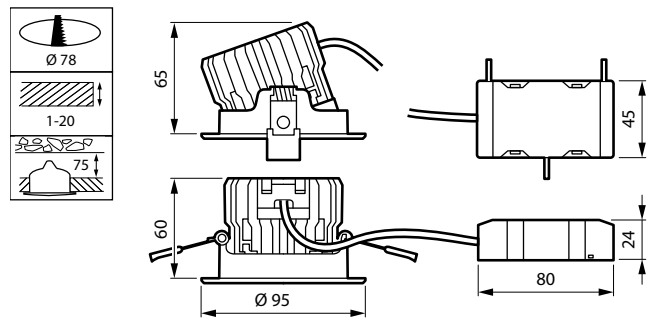
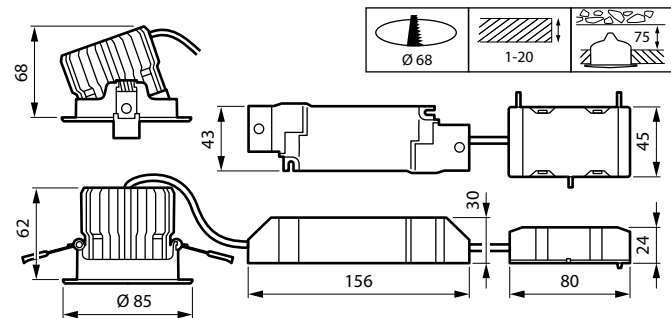
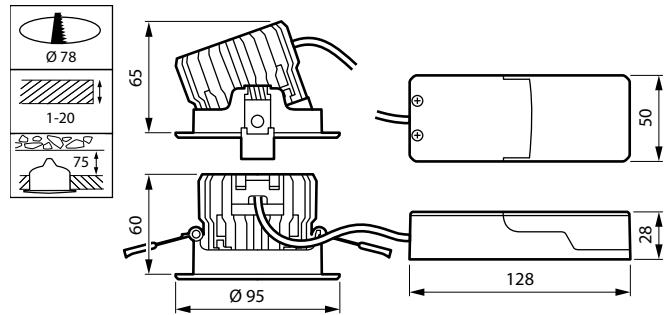
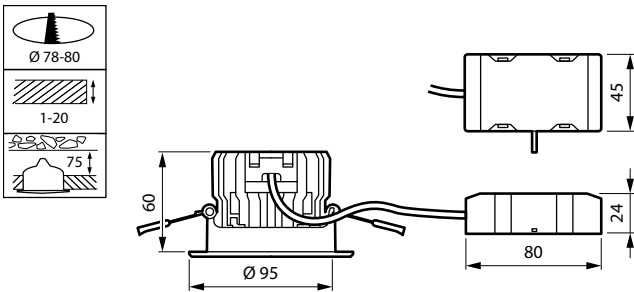
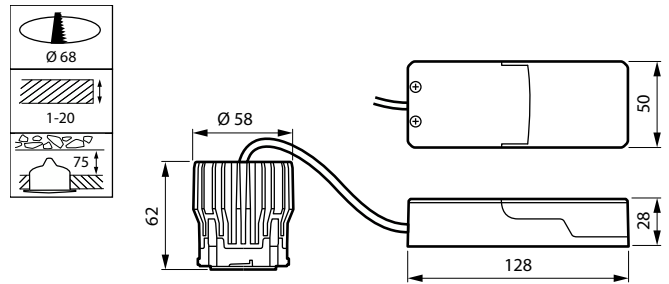
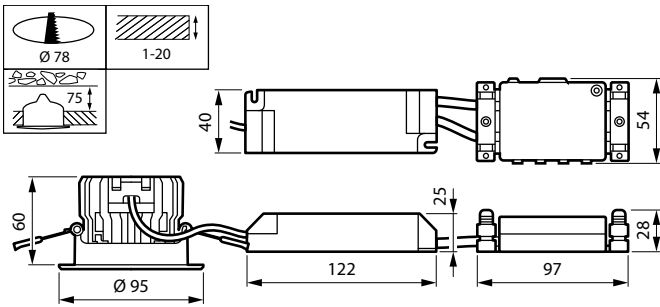


CoreLine Recessed Spot gen2
D68mm 650-950-1200lm
Adjustable WH SPP



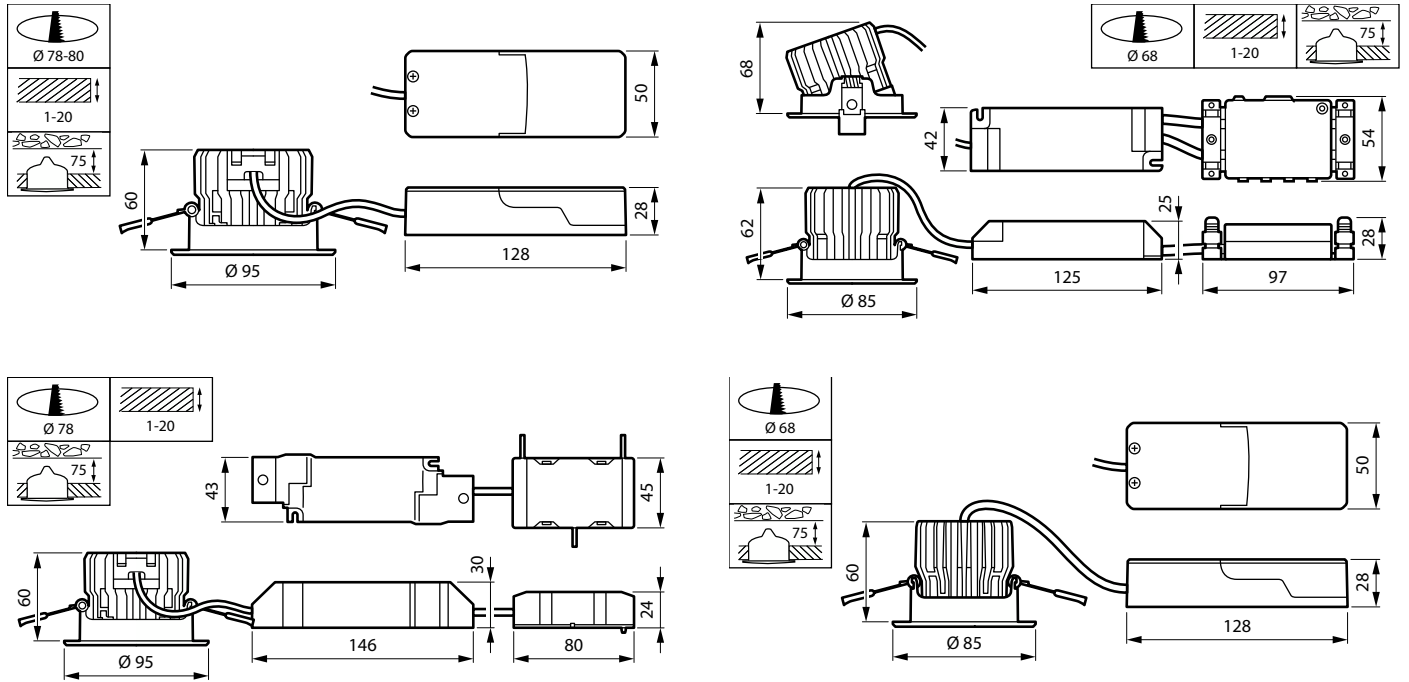
CoreLine Recessed Spot gen2
D68mm 650-950-1200lm
Adjustable WH

Dimensional drawing



CoreLine Recessed Spot gen2

Dimensional drawing



Product details



CoreLine_Recessed_Spot-
RS140B-DPP.TIF



CoreLine_Recessed_Spot-RS141B-
DPP.TIF



CoreLine_Recessed_Spot-
RS140B_Fixed_ALU-DPP.TIF



CoreLine_Recessed_Spot-
RS141B_Adjustable_ALU-DPP.TIF

CoreLine Recessed Spot gen2

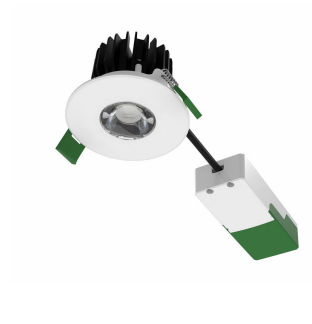
Product details



CoreLine Recessed Spot gen2
D68mm 650-950-1200lm
Adjustable WH DDP



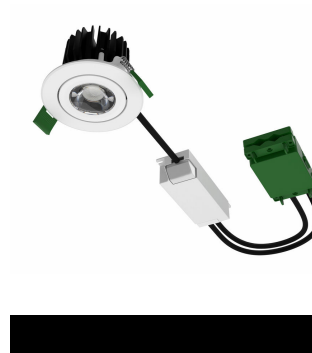
CoreLine Recessed Spot gen2
D68mm 650-950-1200lm Fix WH
DDP



CoreLine Recessed Spot gen2
D68mm 650-950-1200lm Fix WH
DDP



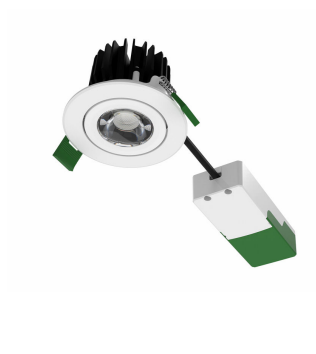
CoreLine Recessed Spot gen2
D68mm 650-950-1200lm
Adjustable WH DDP



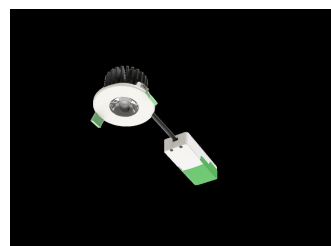
CoreLine Recessed Spot gen2
D68mm 1200lm Adjustable PSD
WH DDP



CoreLine Recessed Spot gen2
D78mm 1200lm PSD Adjustable



CoreLine Recessed Spot gen2
D68mm 650-950-1200lm
Adjustable WH DDP



CoreLine Recessed Spot gen2
D78mm 1200lm PSR Fix

CoreLine Recessed Spot gen2

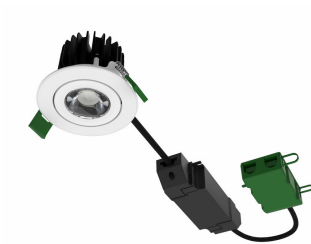
Product details



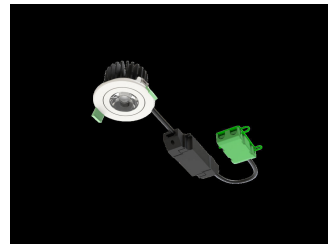
CoreLine Recessed Spot gen2
D78mm 650-950lm Fix



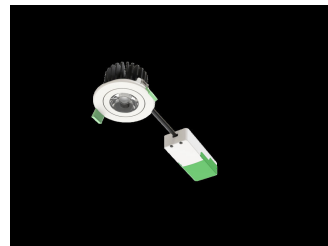
CoreLine Recessed Spot gen2
D78mm 650-900lm PSR
Adjustable



CoreLine Recessed Spot gen2
D68mm 1200lm Adjustable WIA
WH DDP



CoreLine Recessed Spot gen2
D78mm 1200lm WIA Adjustable



CoreLine Recessed Spot gen2
D78mm 1200lm PSR Adjustable

CoreLine Recessed Spot gen2

General Information

Driver included	Yes
Light source replaceable	Yes
Number of gear units	Unit
Service Tag	No

Light Technical

Beam angle of light source	120 degree(s)
Colour rendering index (CRI)	>80
Optic type	Wide beam

Operating and Electrical

Protection class IEC	Safety class II
Input Voltage	220 to 240 V
Line Frequency	50 or 60 Hz
Suitable for random switching	No

Controls and Dimming

Dimmable	Yes
Maximum dim level	10% (depends on dimmer, ELV)

Mechanical and Housing

Mech. impact protection code	IK03
------------------------------	------

Approval and Application

Ambient temperature range	0 to +35 °C
CE mark	Yes
ENEC mark	ENEC mark
Flammability mark	For mounting on normally flammable surfaces
Glow-wire test	Temperature 650 °C, duration 30 s
Flickering value (PstLM)	1
Stroboscopic effect	0.4

Initial Performance (IEC Compliant)

Luminous flux tolerance	+/-10%
-------------------------	--------

Light Technical

Order Code	Full Product Name	Correlated Colour		
		Temperature (Nom)	Luminous efficacy (rated) (nom.)	Luminous Flux
911401898982	RS150B LED6-WB-/830 D78 PSR PI6 WH	3000 K	90 lm/W	650 lm
911401899082	RS150B LED6-WB-/840 D78 PSR PI6 WH	4000 K	90 lm/W	650 lm
911401899182	RS150B LED9-WB-/830 D78 PSR PI6 WH	3000 K	88 lm/W	900 lm
911401899382	RS150B LED12-WB-/830 D78 PSR PI6 WH	3000 K	98 lm/W	1,200 lm
911401899482	RS150B LED12-WB-/840 D78 PSR PI6 WH	4000 K	98 lm/W	1,200 lm
911401811284	RS151B LED6-WB-/830 D78HALOX PSR PI6 WH	3000 K	90 lm/W	650 lm
911401897482	RS151B LED6-WB-/830 D78 PSR PI6 WH	3000 K	90 lm/W	650 lm
911401897682	RS151B LED6-WB-/840 D78 PSR PI6 WH	4000 K	90 lm/W	650 lm
911401898282	RS151B LED12-WB-/830 D78 PSR PI6 WH	3000 K	98 lm/W	1,200 lm
911401898482	RS151B LED12-WB-/840 D78 PSR PI6 WH	4000 K	98 lm/W	1,200 lm
911401898582	RS151B LED12-WB-/830 D78 WIA PI6 WH	3000 K	100 lm/W	1,200 lm
911401898682	RS151B LED12-WB-/840 D78 WIA PI6 WH	4000 K	100 lm/W	1,200 lm
911401898882	RS151B LED12-WB-/840 D78 PSD PI10 WH	4000 K	98 lm/W	1,200 lm
911401810784	RS150B LED12-WB-/830 D78 PSR PI6 ALU	3000 K	98 lm/W	1,200 lm
911401810384	RS151B LED9-WB-/840 D78 PSR PI6 ALU	4000 K	88 lm/W	900 lm
911401898782	RS151B LED12-WB-/830 D78 PSD PI10 WH	3000 K	98 lm/W	1,200 lm
911401821084	RS156B LED6-WB-/830 D68HALOX PSR PI6 WH	3000 K	104 lm/W	750 lm
911401820584	RS156B LED6-WB-/830 D68 PSR PI6 WH	3000 K	104 lm/W	750 lm
911401820784	RS156B LED6-WB-/840 D68 PSR PI6 WH	4000 K	110 lm/W	800 lm
911401821384	RS156B LED9-WB-/840 D68 PSR PI6 WH	4000 K	105 lm/W	1,080 lm
911401821584	RS156B LED12-WB-/830 D68 PSR PI6 WH	3000 K	105 lm/W	1,300 lm
911401821784	RS156B LED12-WB-/840 D68 PSR PI6 WH	4000 K	112 lm/W	1,380 lm
911401821984	RS156B LED12-WB-/830 D68 WIA PI6 WH	3000 K	108 lm/W	1,300 lm
911401822084	RS156B LED12-WB-/840 D68 WIA PI6 WH	4000 K	115 lm/W	1,380 lm

CoreLine Recessed Spot gen2

Order Code	Full Product Name	Correlated Colour		Luminous Flux
		Temperature (Nom)	Luminous efficacy (rated) (nom.)	
911401822184	RS156B LED12-WB-/830 D68 PSD P110 WH	3000 K	105 lm/W	1,300 lm
911401822284	RS156B LED12-WB-/840 D68 PSD P110 WH	4000 K	112 lm/W	1,380 lm
911401822384	RS155B LED6-WB-/830 D68 PSR P16 WH	3000 K	104 lm/W	750 lm
911401822584	RS155B LED6-WB-/840 D68 PSR P16 WH	4000 K	110 lm/W	800 lm
911401822984	RS155B LED12-WB-/830 D68 PSR P16 WH	3000 K	105 lm/W	1,300 lm
911401823184	RS155B LED12-WB-/840 D68 PSR P16 WH	4000 K	112 lm/W	1,380 lm

Operating and Electrical

Order Code	Full Product Name	Power Consumption	Order Code	Full Product Name	Power Consumption
911401898982	RS150B LED6-WB-/830 D78 PSR P16 WH	7.2 W	911401898782	RS151B LED12-WB-/830 D78 PSD P110 WH	12.3 W
911401899082	RS150B LED6-WB-/840 D78 PSR P16 WH	7.2 W	911401821084	RS156B LED6-WB-/830 D68HALOX PSR P16 WH	7.2 W
911401899182	RS150B LED9-WB-/830 D78 PSR P16 WH	10.2 W	911401820584	RS156B LED6-WB-/830 D68 PSR P16 WH	7.2 W
911401899382	RS150B LED12-WB-/830 D78 PSR P16 WH	12.3 W	911401820784	RS156B LED6-WB-/840 D68 PSR P16 WH	7.2 W
911401899482	RS150B LED12-WB-/840 D78 PSR P16 WH	12.3 W	911401821384	RS156B LED9-WB-/840 D68 PSR P16 WH	10.2 W
911401811284	RS151B LED6-WB-/830 D78HALOX PSR P16 WH	7.2 W	911401821584	RS156B LED12-WB-/830 D68 PSR P16 WH	12.3 W
911401897482	RS151B LED6-WB-/830 D78 PSR P16 WH	7.2 W	911401821784	RS156B LED12-WB-/840 D68 PSR P16 WH	12.3 W
911401897682	RS151B LED6-WB-/840 D78 PSR P16 WH	7.2 W	911401821984	RS156B LED12-WB-/830 D68 WIA P16 WH	12 W
911401898282	RS151B LED12-WB-/830 D78 PSR P16 WH	12.3 W	911401822084	RS156B LED12-WB-/840 D68 WIA P16 WH	12 W
911401898482	RS151B LED12-WB-/840 D78 PSR P16 WH	12.3 W	911401822184	RS156B LED12-WB-/830 D68 PSD P110 WH	12.3 W
911401898582	RS151B LED12-WB-/830 D78 WIA P16 WH	12 W	911401822284	RS156B LED12-WB-/840 D68 PSD P110 WH	12.3 W
911401898682	RS151B LED12-WB-/840 D78 WIA P16 WH	12 W	911401822384	RS155B LED6-WB-/830 D68 PSR P16 WH	7.2 W
911401898882	RS151B LED12-WB-/840 D78 PSD P110 WH	12.3 W	911401822584	RS155B LED6-WB-/840 D68 PSR P16 WH	7.2 W
911401810784	RS150B LED12-WB-/830 D78 PSR P16 ALU	12.3 W	911401822984	RS155B LED12-WB-/830 D68 PSR P16 WH	12.3 W
911401810384	RS151B LED9-WB-/840 D78 PSR P16 ALU	10.2 W	911401823184	RS155B LED12-WB-/840 D68 PSR P16 WH	12.3 W

Mechanical and Housing

Order Code	Full Product Name	Housing Colour	Ingress protection code	Order Code	Full Product Name	Housing Colour	Ingress protection code
911401898982	RS150B LED6-WB-/830 D78 PSR P16 WH	White	IP20/65	911401897482	RS151B LED6-WB-/830 D78 PSR P16 WH	White	IP20/44
911401899082	RS150B LED6-WB-/840 D78 PSR P16 WH	White	IP20/65	911401897682	RS151B LED6-WB-/840 D78 PSR P16 WH	White	IP20/44
911401899182	RS150B LED9-WB-/830 D78 PSR P16 WH	White	IP20/65	911401898282	RS151B LED12-WB-/830 D78 PSR P16 WH	White	IP20/44
911401899382	RS150B LED12-WB-/830 D78 PSR P16 WH	White	IP20/65	911401898482	RS151B LED12-WB-/840 D78 PSR P16 WH	White	IP20/44
911401899482	RS150B LED12-WB-/840 D78 PSR P16 WH	White	IP20/65	911401898582	RS151B LED12-WB-/830 D78 WIA P16 WH	White	IP20/44
911401811284	RS151B LED6-WB-/830 D78HALOX PSR P16 WH	White	IP20/44	911401898682	RS151B LED12-WB-/840 D78 WIA P16 WH	White	IP20/44

CoreLine Recessed Spot gen2

Order Code	Full Product Name	Housing Colour	Ingress protection code
911401898882	RS151B LED12-WB-/840 D78 PSD P110 WH	White	IP20/44
911401810784	RS150B LED12-WB-/830 D78 PSR P16 ALU	Aluminium	IP20/65
911401810384	RS151B LED9-WB-/840 D78 PSR P16 ALU	Aluminium	IP20/44
911401898782	RS151B LED12-WB-/830 D78 PSD P110 WH	White	IP20/44
911401821084	RS156B LED6-WB-/830 D68HALOX PSR P16 WH	White	IP20/44
911401820584	RS156B LED6-WB-/830 D68 PSR P16 WH	White	IP20/44
911401820784	RS156B LED6-WB-/840 D68 PSR P16 WH	White	IP20/44
911401821384	RS156B LED9-WB-/840 D68 PSR P16 WH	White	IP20/44
911401821584	RS156B LED12-WB-/830 D68 PSR P16 WH	White	IP20/44

Order Code	Full Product Name	Housing Colour	Ingress protection code
911401821784	RS156B LED12-WB-/840 D68 PSR P16 WH	White	IP20/44
911401821984	RS156B LED12-WB-/830 D68 WIA P16 WH	White	IP20/44
911401822084	RS156B LED12-WB-/840 D68 WIA P16 WH	White	IP20/44
911401822184	RS156B LED12-WB-/830 D68 PSD P110 WH	White	IP20/44
911401822284	RS156B LED12-WB-/840 D68 PSD P110 WH	White	IP20/44
911401822384	RS155B LED6-WB-/830 D68 PSR P16 WH	White	IP20/65
911401822584	RS155B LED6-WB-/840 D68 PSR P16 WH	White	IP20/65
911401822984	RS155B LED12-WB-/830 D68 PSR P16 WH	White	IP20/65
911401823184	RS155B LED12-WB-/840 D68 PSR P16 WH	White	IP20/65

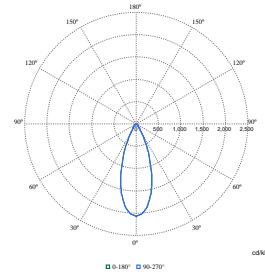
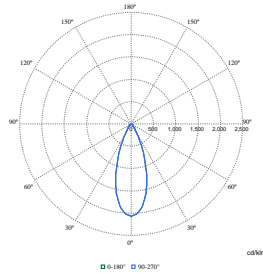
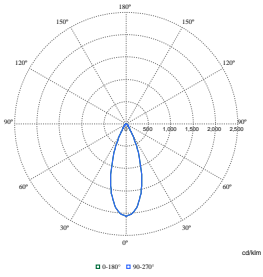
Initial Performance (IEC Compliant)

Order Code	Full Product Name	Initial chromaticity
911401898982	RS150B LED6-WB-/830 D78 PSR P16 WH	(0.43, 0.40) SDCM <5
911401899082	RS150B LED6-WB-/840 D78 PSR P16 WH	(0.38, 0.38) SDCM <5
911401899182	RS150B LED9-WB-/830 D78 PSR P16 WH	(0.43, 0.40) SDCM <5
911401899382	RS150B LED12-WB-/830 D78 PSR P16 WH	(0.43, 0.40) SDCM <5
911401899482	RS150B LED12-WB-/840 D78 PSR P16 WH	(0.38, 0.38) SDCM <5
911401811284	RS151B LED6-WB-/830 D78HALOX PSR P16 WH	(0.43, 0.40) SDCM <5
911401897482	RS151B LED6-WB-/830 D78 PSR P16 WH	(0.43, 0.40) SDCM <5
911401897682	RS151B LED6-WB-/840 D78 PSR P16 WH	(0.38, 0.38) SDCM <5
911401898282	RS151B LED12-WB-/830 D78 PSR P16 WH	(0.43, 0.40) SDCM <5
911401898482	RS151B LED12-WB-/840 D78 PSR P16 WH	(0.38, 0.38) SDCM <5
911401898582	RS151B LED12-WB-/830 D78 WIA P16 WH	(0.43, 0.40) SDCM <5
911401898682	RS151B LED12-WB-/840 D78 WIA P16 WH	(0.38, 0.38) SDCM <5
911401898882	RS151B LED12-WB-/840 D78 PSD P110 WH	(0.38, 0.38) SDCM <5
911401810784	RS150B LED12-WB-/830 D78 PSR P16 ALU	(0.43, 0.40) SDCM <5
911401810384	RS151B LED9-WB-/840 D78 PSR P16 ALU	(0.38, 0.38) SDCM <5

Order Code	Full Product Name	Initial chromaticity
911401898782	RS151B LED12-WB-/830 D78 PSD P110 WH	(0.43, 0.40) SDCM <5
911401821084	RS156B LED6-WB-/830 D68HALOX PSR P16 WH	(0.43, 0.40) SDCM <5
911401820584	RS156B LED6-WB-/830 D68 PSR P16 WH	(0.43, 0.40) SDCM <5
911401820784	RS156B LED6-WB-/840 D68 PSR P16 WH	(0.38, 0.38) SDCM <5
911401821384	RS156B LED9-WB-/840 D68 PSR P16 WH	(0.38, 0.38) SDCM <5
911401821584	RS156B LED12-WB-/830 D68 PSR P16 WH	(0.43, 0.40) SDCM <5
911401821784	RS156B LED12-WB-/840 D68 PSR P16 WH	(0.38, 0.38) SDCM <5
911401821984	RS156B LED12-WB-/830 D68 WIA P16 WH	(0.43, 0.40) SDCM <5
911401822084	RS156B LED12-WB-/840 D68 WIA P16 WH	(0.38, 0.38) SDCM <5
911401822184	RS156B LED12-WB-/830 D68 PSD P110 WH	(0.43, 0.40) SDCM <5
911401822284	RS156B LED12-WB-/840 D68 PSD P110 WH	(0.38, 0.38) SDCM <5
911401822384	RS155B LED6-WB-/830 D68 PSR P16 WH	(0.43, 0.40) SDCM <5
911401822584	RS155B LED6-WB-/840 D68 PSR P16 WH	(0.38, 0.38) SDCM <5
911401822984	RS155B LED12-WB-/830 D68 PSR P16 WH	(0.43, 0.40) SDCM <5
911401823184	RS155B LED12-WB-/840 D68 PSR P16 WH	(0.38, 0.38) SDCM <5

CoreLine Recessed Spot gen2

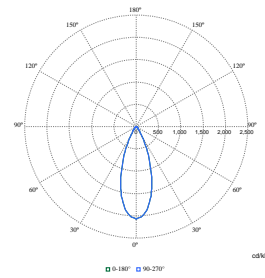
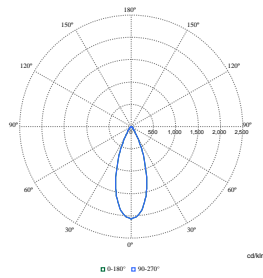
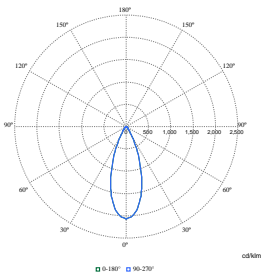
Polar Wide Diagrams



Polar Normal (separate) - 911401898882

Polar Normal (separate) - 911401898982

Polar Normal (separate) - 911401899082



Polar Normal (separate) - 911401899182

Polar Normal (separate) - 911401899482

Polar Normal (separate) - 911401899382

