



# CoreLine Recessed Spot gen2 – for every project, where light really matters

## CoreLine Recessed Spot gen2

CoreLine Recessed Spot gen2 delivers on the CoreLine promise of innovative, easy to use and high-quality luminaires. Its modular design allows “configure to fit” option that better responds to your specific needs. The range offers a wide range choice on light color (CCT), light output, color finish, frame types and connectivity options. The compact and lite design of CoreLine Recessed Spot gen2, always incorporating a push in connector allowing loop in/out wiring and supporting a wide range of wire diameters/cross-sectional area, makes installation hassle-free. High quality of light, numerous connectivity options, long luminaire lifetime and high system efficacy makes CoreLine Recessed Spot gen2 an ideal accent solution for your indoor spot lighting applications.

### Benefits

- Diversity thanks to modular design, responding to a wide range of needs
- Notably easy to install and maintain
- Compact and lite product design with high quality materials and finish
- Good quality of light
- Good Performance
- Good value for money

# CoreLine Recessed Spot gen2

## Features

- Available in fixed or adjustable versions
- CE, UKCA and ENEC certified
- White, Black or Aluminium finish
- 650, 900 or 1200 lumens (system output)
- L70 at 50.000h
- System efficacy of 88 to 107 lm/w, depending on configuration
- Color Rendering Index, CRI >80
- Standard Color Deviation, SDCM < 3
- Correlated Light Color Temperature of 2700K, 3000K or 4000K
- Led Modules with sparkly lens optics
- Chip-on-board LED light source
- Various interchangeable frame accessories
- All configurations support basic insulation coverability as per IEC 60598-1.edit 8.1
- Various connectivity options: Phase-Cut (PSR), DALI (PSD) or Interact Pro (WIA)
- High Performance Dimming driver (PSR) compatible with most wall-dimmers in the market
- Halox® 100 concrete installation housing compatible options available

## Application

- Hospitality
- Retail
- Offices
- Residential
- HoReCa
- Wide range of General Indoor applications
- Corridors
- Meeting rooms
- Bathrooms and toilets
- Break-out areas
- Shelf and cabinets

## Warnings and Safety

- The luminaire should be installed and disassembled by a qualified electrician and wired in accordance with the latest IEE electrical regulations or the national requirements, as per the product mounting instructions.

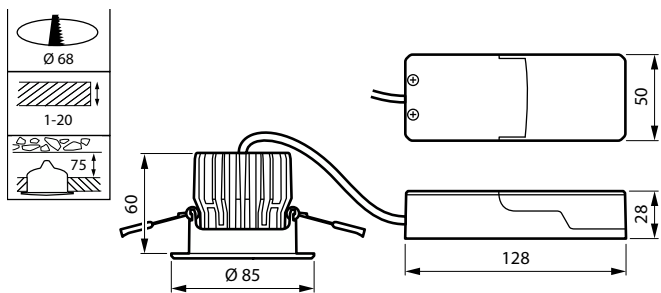
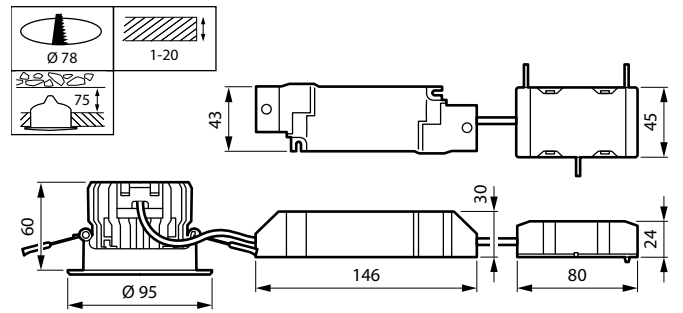
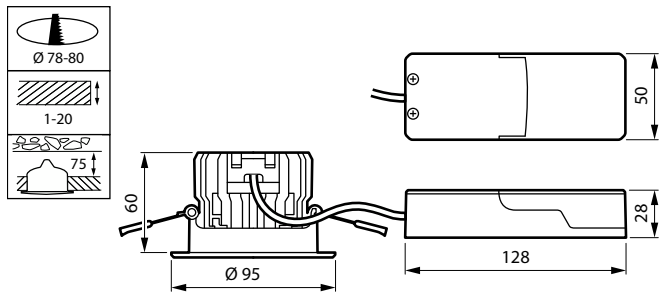
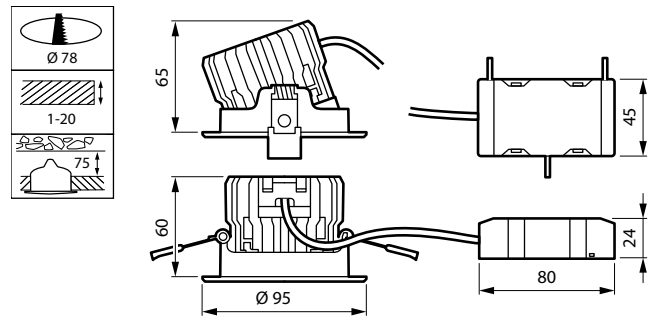
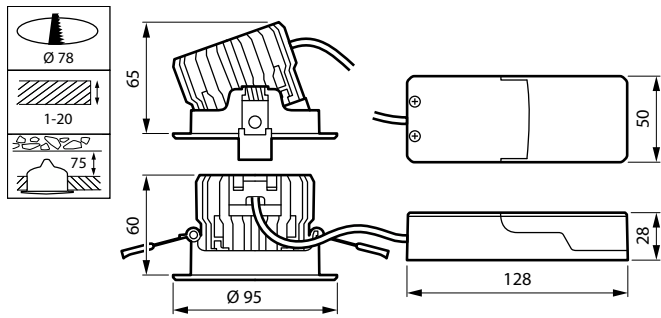
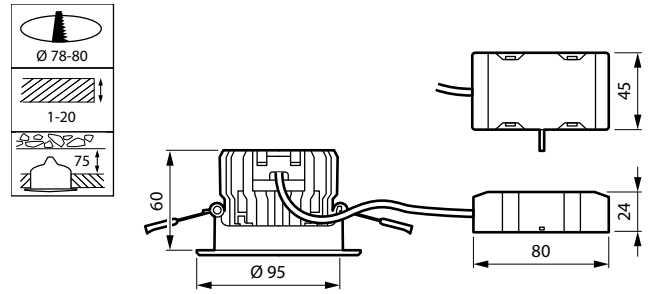
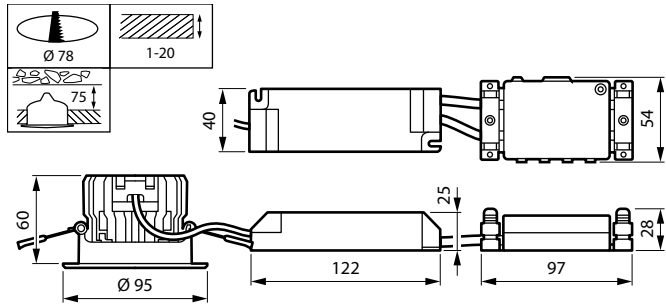
## Versions



CoreLine Recessed Spot gen2  
D68mm 650-950-1200lm Fix WH

# CoreLine Recessed Spot gen2

## Dimensional drawing



# CoreLine Recessed Spot gen2

## Product details



CoreLine\_Recessed\_Spot-  
RS140B-DPP.TIF



CoreLine\_Recessed\_Spot-RS141B-  
DPP.TIF



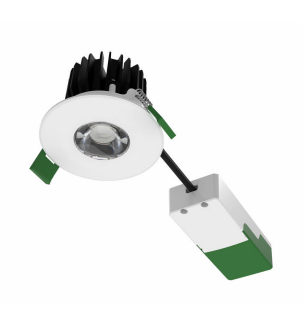
CoreLine\_Recessed\_Spot-  
RS140B\_Fixed\_ALU-DPP.TIF



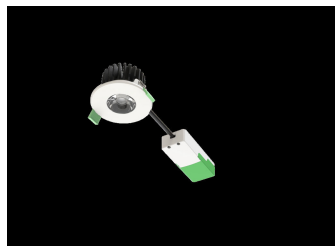
CoreLine\_Recessed\_Spot-  
RS141B\_Adjustable\_ALU-DPP.TIF



CoreLine Recessed Spot gen2  
D68mm 650-950-1200lm Fix WH  
DDP



CoreLine Recessed Spot gen2  
D68mm 650-950-1200lm Fix WH  
DDP



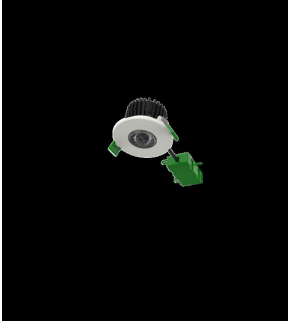
CoreLine Recessed Spot gen2  
D78mm 1200lm PSR Fix



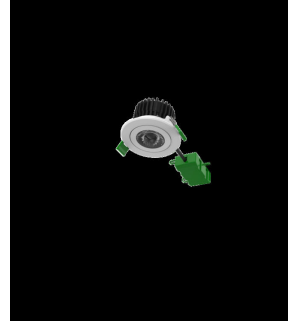
CoreLine Recessed Spot gen2  
D78mm 1200lm PSD Adjustable

# CoreLine Recessed Spot gen2

## Product details



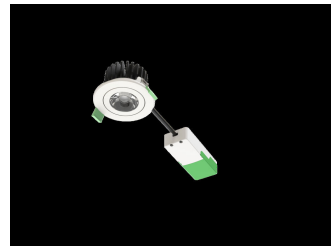
CoreLine Recessed Spot gen2  
D78mm 650-950lm Fix



CoreLine Recessed Spot gen2  
D78mm 650-900lm PSR  
Adjustable



CoreLine Recessed Spot gen2  
D78mm 1200lm WIA Adjustable



CoreLine Recessed Spot gen2  
D78mm 1200lm PSR Adjustable

# CoreLine Recessed Spot gen2

## General Information

Driver included	Yes
Light source replaceable	Yes
Number of gear units	1 unit

## Light Technical

Beam angle of light source	120 degree(s)
Color rendering index (CRI)	>80
Optic type	Wide beam

## Operating and Electrical

Protection class IEC	Safety class II
Input Voltage	220 to 240 V
Line Frequency	50 or 60 Hz
Suitable for random switching	No

## Controls and Dimming

Dimmable	Yes
Maximum dim level	10% (depends on dimmer, ELV)

## Mechanical and Housing

Mech. impact protection code	IK03
------------------------------	------

## Approval and Application

Ambient temperature range	0 to +35 °C
CE mark	Yes
ENEC mark	ENEC mark
Flammability mark	For mounting on normally flammable surfaces
Glow-wire test	Temperature 650 °C, duration 30 s
Flickering value (PstLM) - Flickering value as per EN 61000-3-3	1
Stroboscopic effect visibility measure (SVM)	0.4

## Initial Performance (IEC Compliant)

Luminous flux tolerance	+/-10%
-------------------------	--------

## Light Technical

Order Code	Full Product Name	Correlated Color		
		Temperature (Nom)	Luminous Efficacy (rated) (Nom)	Luminous Flux
911401898982	RS150B LED6-WB-/830 D78 PSR PI6 WH	3000 K	90 lm/W	650 lm
911401899082	RS150B LED6-WB-/840 D78 PSR PI6 WH	4000 K	90 lm/W	650 lm
911401899182	RS150B LED9-WB-/830 D78 PSR PI6 WH	3000 K	88 lm/W	900 lm
911401899282	RS150B LED9-WB-/840 D78 PSR PI6 WH	4000 K	88 lm/W	900 lm
911401899382	RS150B LED12-WB-/830 D78 PSR PI6 WH	3000 K	98 lm/W	1,200 lm
911401899482	RS150B LED12-WB-/840 D78 PSR PI6 WH	4000 K	98 lm/W	1,200 lm
911401811284	RS151B LED6-WB-/830 D78HALOX PSR PI6 WH	3000 K	90 lm/W	650 lm
911401897482	RS151B LED6-WB-/830 D78 PSR PI6 WH	3000 K	90 lm/W	650 lm
911401897682	RS151B LED6-WB-/840 D78 PSR PI6 WH	4000 K	90 lm/W	650 lm
911401897982	RS151B LED9-WB-/830 D78 PSR PI6 WH	3000 K	88 lm/W	900 lm
911401898182	RS151B LED9-WB-/840 D78 PSR PI6 WH	4000 K	88 lm/W	900 lm
911401898282	RS151B LED12-WB-/830 D78 PSR PI6 WH	3000 K	98 lm/W	1,200 lm
911401898482	RS151B LED12-WB-/840 D78 PSR PI6 WH	4000 K	98 lm/W	1,200 lm
911401898582	RS151B LED12-WB-/830 D78 WIA PI6 WH	3000 K	100 lm/W	1,200 lm
911401898682	RS151B LED12-WB-/840 D78 WIA PI6 WH	4000 K	100 lm/W	1,200 lm
911401898882	RS151B LED12-WB-/840 D78 PSD PI10 WH	4000 K	98 lm/W	1,200 lm
911401810584	RS150B LED6-WB-/830 D78 PSR PI6 ALU	3000 K	90 lm/W	650 lm
911401810684	RS150B LED9-WB-/830 D78 PSR PI6 ALU	3000 K	88 lm/W	900 lm
911401810784	RS150B LED12-WB-/830 D78 PSR PI6 ALU	3000 K	98 lm/W	1,200 lm
911401824484	RS150B LED6-WB-/840 D78 PSR PI6 ALU	4000 K	90 lm/W	650 lm
911401824584	RS150B LED6-WB-/827 D78 PSR PI6 ALU	2700 K	90 lm/W	650 lm
911401810384	RS151B LED9-WB-/840 D78 PSR PI6 ALU	4000 K	88 lm/W	900 lm
911401810484	RS151B LED12-WB-/840 D78 PSR PI6 ALU	4000 K	98 lm/W	1,200 lm
911401897582	RS151B LED6-WB-/830 D78 PSR PI6 ALU	3000 K	90 lm/W	650 lm

## CoreLine Recessed Spot gen2

Order Code	Full Product Name	Correlated Color		Luminous Flux
		Temperature (Nom)	Luminous Efficacy (rated) (Nom)	
911401897782	RS151B LED6-WB-/840 D78 PSR P16 ALU	4000 K	90 lm/W	650 lm
911401897882	RS151B LED6-WB-/827 D78 PSR P16 ALU	2700 K	90 lm/W	650 lm
911401898082	RS151B LED9-WB-/830 D78 PSR P16 ALU	3000 K	88 lm/W	900 lm
911401898382	RS151B LED12-WB-/830 D78 PSR P16 ALU	3000 K	98 lm/W	1,200 lm
911401898782	RS151B LED12-WB-/830 D78 PSD P110 WH	3000 K	98 lm/W	1,200 lm
911401822684	RS155B LED9-WB-/830 D68 PSR P16 WH	3000 K	98 lm/W	1,000 lm

### Operating and Electrical

Order Code	Full Product Name	Power Consumption	Order Code	Full Product Name	Power Consumption
911401898982	RS150B LED6-WB-/830 D78 PSR P16 WH	7.2 W	911401898882	RS151B LED12-WB-/840 D78 PSD P110 WH	12.3 W
911401899082	RS150B LED6-WB-/840 D78 PSR P16 WH	7.2 W	911401810584	RS150B LED6-WB-/830 D78 PSR P16 ALU	7.2 W
911401899182	RS150B LED9-WB-/830 D78 PSR P16 WH	10.2 W	911401810684	RS150B LED9-WB-/830 D78 PSR P16 ALU	10.2 W
911401899282	RS150B LED9-WB-/840 D78 PSR P16 WH	10.2 W	911401810784	RS150B LED12-WB-/830 D78 PSR P16 ALU	12.3 W
911401899382	RS150B LED12-WB-/830 D78 PSR P16 WH	12.3 W	911401824484	RS150B LED6-WB-/840 D78 PSR P16 ALU	7.2 W
911401899482	RS150B LED12-WB-/840 D78 PSR P16 WH	12.3 W	911401824584	RS150B LED6-WB-/827 D78 PSR P16 ALU	7.2 W
911401811284	RS151B LED6-WB-/830 D78HALOX PSR P16 WH	7.2 W	911401810384	RS151B LED9-WB-/840 D78 PSR P16 ALU	10.2 W
911401897482	RS151B LED6-WB-/830 D78 PSR P16 WH	7.2 W	911401810484	RS151B LED12-WB-/840 D78 PSR P16 ALU	12.3 W
911401897682	RS151B LED6-WB-/840 D78 PSR P16 WH	7.2 W	911401897582	RS151B LED6-WB-/830 D78 PSR P16 ALU	7.2 W
911401897982	RS151B LED9-WB-/830 D78 PSR P16 WH	10.2 W	911401897782	RS151B LED6-WB-/840 D78 PSR P16 ALU	7.2 W
911401898182	RS151B LED9-WB-/840 D78 PSR P16 WH	10.2 W	911401897882	RS151B LED6-WB-/827 D78 PSR P16 ALU	7.2 W
911401898282	RS151B LED12-WB-/830 D78 PSR P16 WH	12.3 W	911401898082	RS151B LED9-WB-/830 D78 PSR P16 ALU	10.2 W
911401898482	RS151B LED12-WB-/840 D78 PSR P16 WH	12.3 W	911401898382	RS151B LED12-WB-/830 D78 PSR P16 ALU	12.3 W
911401898582	RS151B LED12-WB-/830 D78 WIA P16 WH	12 W	911401898782	RS151B LED12-WB-/830 D78 PSD P110 WH	12.3 W
911401898682	RS151B LED12-WB-/840 D78 WIA P16 WH	12 W	911401822684	RS155B LED9-WB-/830 D68 PSR P16 WH	10.2 W

### Mechanical and Housing

Order Code	Full Product Name	Housing Color	Ingress protection code	Order Code	Full Product Name	Housing Color	Ingress protection code
911401898982	RS150B LED6-WB-/830 D78 PSR P16 WH	White	IP20/65	911401811284	RS151B LED6-WB-/830 D78HALOX PSR P16 WH	White	IP20/44
911401899082	RS150B LED6-WB-/840 D78 PSR P16 WH	White	IP20/65	911401897482	RS151B LED6-WB-/830 D78 PSR P16 WH	White	IP20/44
911401899182	RS150B LED9-WB-/830 D78 PSR P16 WH	White	IP20/65	911401897682	RS151B LED6-WB-/840 D78 PSR P16 WH	White	IP20/44
911401899282	RS150B LED9-WB-/840 D78 PSR P16 WH	White	IP20/65	911401897982	RS151B LED9-WB-/830 D78 PSR P16 WH	White	IP20/44
911401899382	RS150B LED12-WB-/830 D78 PSR P16 WH	White	IP20/65	911401898182	RS151B LED9-WB-/840 D78 PSR P16 WH	White	IP20/44
911401899482	RS150B LED12-WB-/840 D78 PSR P16 WH	White	IP20/65	911401898282	RS151B LED12-WB-/830 D78 PSR P16 WH	White	IP20/44
911401898482	RS151B LED12-WB-/840 D78 PSR P16 WH	White	IP20/44	911401898482	RS151B LED12-WB-/840 D78 PSR P16 WH	White	IP20/44
911401898582	RS151B LED12-WB-/830 D78 WIA P16 WH	White	IP20/44	911401898582	RS151B LED12-WB-/830 D78 WIA P16 WH	White	IP20/44

# CoreLine Recessed Spot gen2

Order Code	Full Product Name	Housing Color	Ingress protection code
911401898682	RS151B LED12-WB-/840 D78 WIA PI6 WH	White	IP20/44
911401898882	RS151B LED12-WB-/840 D78 PSD PI10 WH	White	IP20/44
911401810584	RS150B LED6-WB-/830 D78 PSR PI6 ALU	Aluminum	IP20/65
911401810684	RS150B LED9-WB-/830 D78 PSR PI6 ALU	Aluminum	IP20/65
911401810784	RS150B LED12-WB-/830 D78 PSR PI6 ALU	Aluminum	IP20/65
911401824484	RS150B LED6-WB-/840 D78 PSR PI6 ALU	Aluminum	IP20/65
911401824584	RS150B LED6-WB-/827 D78 PSR PI6 ALU	Aluminum	IP20/65
911401810384	RS151B LED9-WB-/840 D78 PSR PI6 ALU	Aluminum	IP20/44

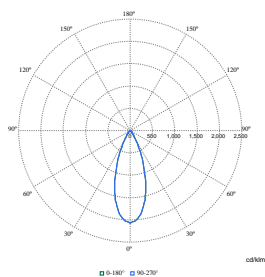
Order Code	Full Product Name	Housing Color	Ingress protection code
911401810484	RS151B LED12-WB-/840 D78 PSR PI6 ALU	Aluminum	IP20/44
911401897582	RS151B LED6-WB-/830 D78 PSR PI6 ALU	Aluminum	IP20/44
911401897782	RS151B LED6-WB-/840 D78 PSR PI6 ALU	Aluminum	IP20/44
911401897882	RS151B LED6-WB-/827 D78 PSR PI6 ALU	Aluminum	IP20/44
911401898082	RS151B LED9-WB-/830 D78 PSR PI6 ALU	Aluminum	IP20/44
911401898382	RS151B LED12-WB-/830 D78 PSR PI6 ALU	Aluminum	IP20/44
911401898782	RS151B LED12-WB-/830 D78 PSD PI10 WH	White	IP20/44
911401822684	RS155B LED9-WB-/830 D68 PSR PI6 WH	White	IP20/65

## Initial Performance (IEC Compliant)

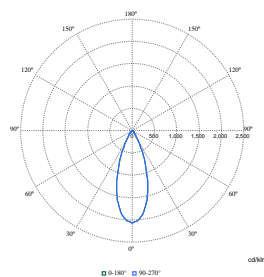
Order Code	Full Product Name	Initial chromaticity
911401898982	RS150B LED6-WB-/830 D78 PSR PI6 WH	(0.43, 0.40) SDCM <5
911401899082	RS150B LED6-WB-/840 D78 PSR PI6 WH	(0.38, 0.38) SDCM <5
911401899182	RS150B LED9-WB-/830 D78 PSR PI6 WH	(0.43, 0.40) SDCM <5
911401899282	RS150B LED9-WB-/840 D78 PSR PI6 WH	(0.38, 0.38) SDCM <5
911401899382	RS150B LED12-WB-/830 D78 PSR PI6 WH	(0.43, 0.40) SDCM <5
911401899482	RS150B LED12-WB-/840 D78 PSR PI6 WH	(0.38, 0.38) SDCM <5
911401811284	RS151B LED6-WB-/830 D78HALOX PSR PI6 WH	(0.43, 0.40) SDCM <5
911401897482	RS151B LED6-WB-/830 D78 PSR PI6 WH	(0.43, 0.40) SDCM <5
911401897682	RS151B LED6-WB-/840 D78 PSR PI6 WH	(0.38, 0.38) SDCM <5
911401897982	RS151B LED9-WB-/830 D78 PSR PI6 WH	(0.43, 0.40) SDCM <5
911401898182	RS151B LED9-WB-/840 D78 PSR PI6 WH	(0.38, 0.38) SDCM <5
911401898282	RS151B LED12-WB-/830 D78 PSR PI6 WH	(0.43, 0.40) SDCM <5
911401898482	RS151B LED12-WB-/840 D78 PSR PI6 WH	(0.38, 0.38) SDCM <5
911401898582	RS151B LED12-WB-/830 D78 WIA PI6 WH	(0.43, 0.40) SDCM <5
911401898682	RS151B LED12-WB-/840 D78 WIA PI6 WH	(0.38, 0.38) SDCM <5

Order Code	Full Product Name	Initial chromaticity
911401898882	RS151B LED12-WB-/840 D78 PSD PI10 WH	(0.38, 0.38) SDCM <5
911401810584	RS150B LED6-WB-/830 D78 PSR PI6 ALU	(0.43, 0.40) SDCM <5
911401810684	RS150B LED9-WB-/830 D78 PSR PI6 ALU	(0.43, 0.40) SDCM <5
911401810784	RS150B LED12-WB-/830 D78 PSR PI6 ALU	(0.43, 0.40) SDCM <5
911401824484	RS150B LED6-WB-/840 D78 PSR PI6 ALU	(0.38, 0.38) SDCM <5
911401824584	RS150B LED6-WB-/827 D78 PSR PI6 ALU	(0.46, 0.41) SDCM <5
911401810384	RS151B LED9-WB-/840 D78 PSR PI6 ALU	(0.38, 0.38) SDCM <5
911401810484	RS151B LED12-WB-/840 D78 PSR PI6 ALU	(0.38, 0.38) SDCM <5
911401897582	RS151B LED6-WB-/830 D78 PSR PI6 ALU	(0.43, 0.40) SDCM <5
911401897782	RS151B LED6-WB-/840 D78 PSR PI6 ALU	(0.38, 0.38) SDCM <5
911401897882	RS151B LED6-WB-/827 D78 PSR PI6 ALU	(0.46, 0.41) SDCM <5
911401898082	RS151B LED9-WB-/830 D78 PSR PI6 ALU	(0.43, 0.40) SDCM <5
911401898382	RS151B LED12-WB-/830 D78 PSR PI6 ALU	(0.43, 0.40) SDCM <5
911401898782	RS151B LED12-WB-/830 D78 PSD PI10 WH	(0.43, 0.40) SDCM <5
911401822684	RS155B LED9-WB-/830 D68 PSR PI6 WH	(0.43, 0.40) SDCM <5

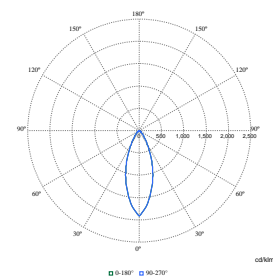
## Polar Wide Diagrams



Polar Normal (separate) - 911401810584



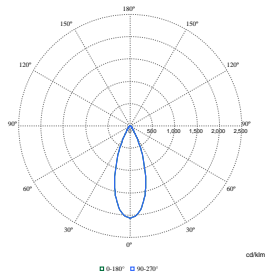
Polar Normal (separate) - 911401810484



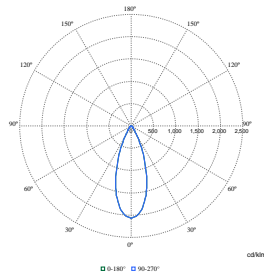
Polar Normal (separate) - 911401822684

# CoreLine Recessed Spot gen2

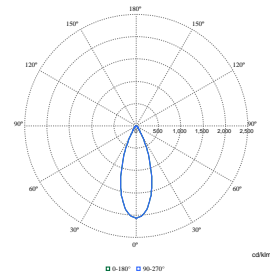
## Polar Wide Diagrams



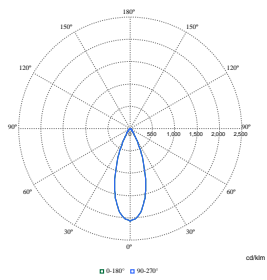
Polar Normal (separate) - 911401897482



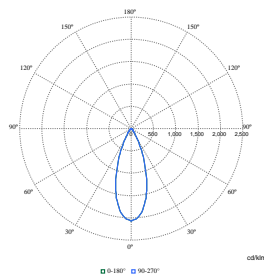
Polar Normal (separate) - 911401897582



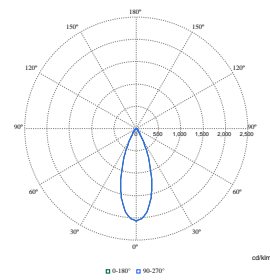
Polar Normal (separate) - 911401897982



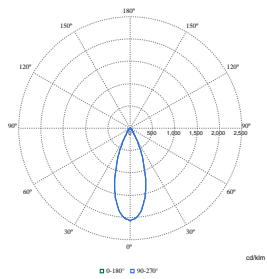
Polar Normal (separate) - 911401898082



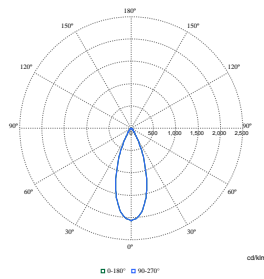
Polar Normal (separate) - 911401898282



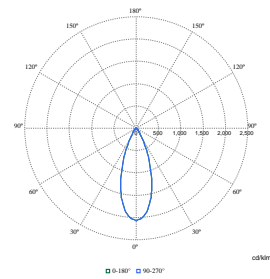
Polar Normal (separate) - 911401898382



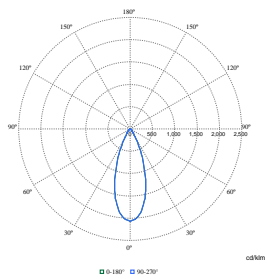
Polar Normal (separate) - 911401898482



Polar Normal (separate) - 911401898882



Polar Normal (separate) - 911401899282



Polar Normal (separate) - 911401899482

## CoreLine Recessed Spot gen2

