



CoreLine Recessed Spot gen2 – for every project, where light really matters

CoreLine Recessed Spot gen2

CoreLine Recessed Spot gen2 delivers on the CoreLine promise of innovative, easy to use and high-quality luminaires. Its modular design allows “configure to fit” option that better responds to your specific needs. The range offers a wide range choice on light color (CCT), light output, color finish, frame types and connectivity options. The compact and lite design of CoreLine Recessed Spot gen2, always incorporating a push in connector allowing loop in/out wiring and supporting a wide range of wire diameters/cross-sectional area, makes installation hassle-free. High quality of light, numerous connectivity options, long luminaire lifetime and high system efficacy makes CoreLine Recessed Spot gen2 an ideal accent solution for your indoor spot lighting applications.

Benefits

- Diversity thanks to modular design, responding to a wide range of needs
- Notably easy to install and maintain
- Compact and lite product design with high quality materials and finish
- Good quality of light
- Good Performance
- Good value for money

CoreLine Recessed Spot gen2

Features

- Available in fixed or adjustable versions
- CE, UKCA and ENEC certified
- White, Black or Aluminium finish
- 650, 900 or 1200 lumens (system output)
- L70 at 50.000h
- System efficacy of 88 to 107 lm/w, depending on configuration
- Color Rendering Index, CRI >80
- Standard Color Deviation, SDCM < 3
- Correlated Light Color Temperature of 2700K, 3000K or 4000K
- Led Modules with sparkly lens optics
- Chip-on-board LED light source
- Various interchangeable frame accessories
- All configurations support basic insulation coverability as per IEC 60598-1.edit 8.1
- Various connectivity options: Phase-Cut (PSR), DALI (PSD) or Interact Pro (WIA)
- High Performance Dimming driver (PSR) compatible with most wall-dimmers in the market
- Halox® 100 concrete installation housing compatible options available

Application

- Hospitality
- Retail
- Offices
- Residential
- HoReCa
- Wide range of General Indoor applications
- Corridors
- Meeting rooms
- Bathrooms and toilets
- Break-out areas
- Shelf and cabinets

Warnings and Safety

- The luminaire should be installed and disassembled by a qualified electrician and wired in accordance with the latest IEE electrical regulations or the national requirements, as per the product mounting instructions.

Versions



CoreLine_Recessed_Spot-
RS140B-SPP.TIF



CoreLine Recessed Spot-RS140B
Fixed ALU

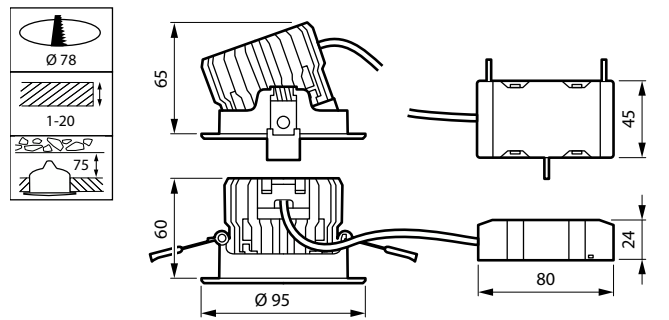
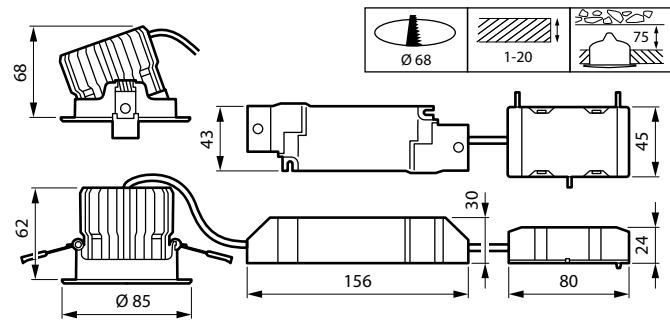
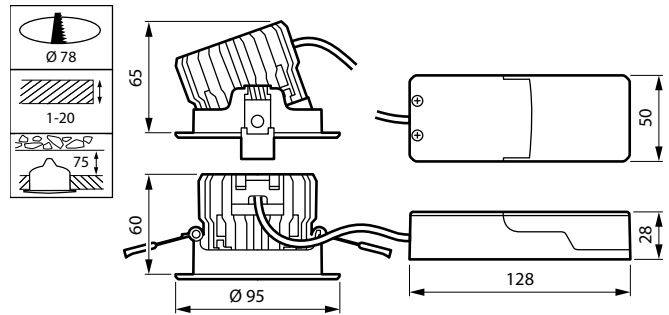
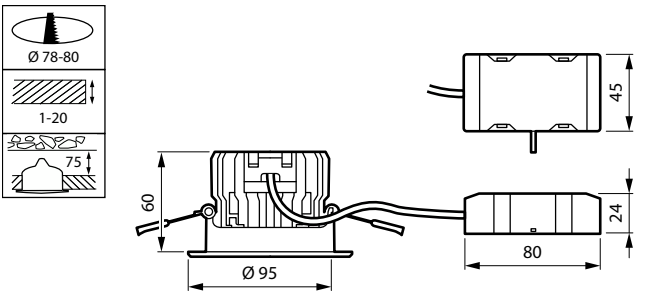
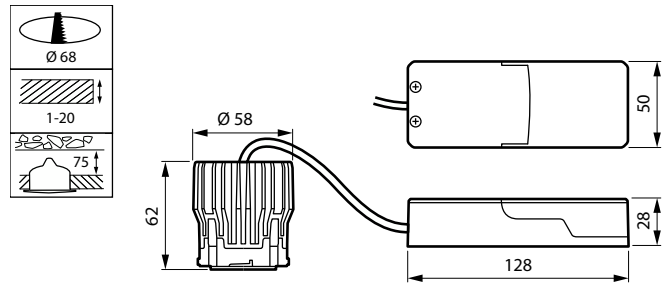
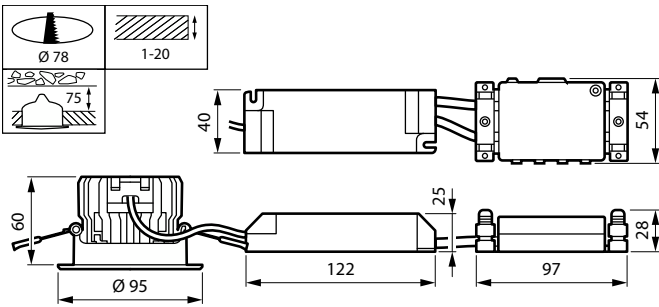
CoreLine Recessed Spot gen2

Versions



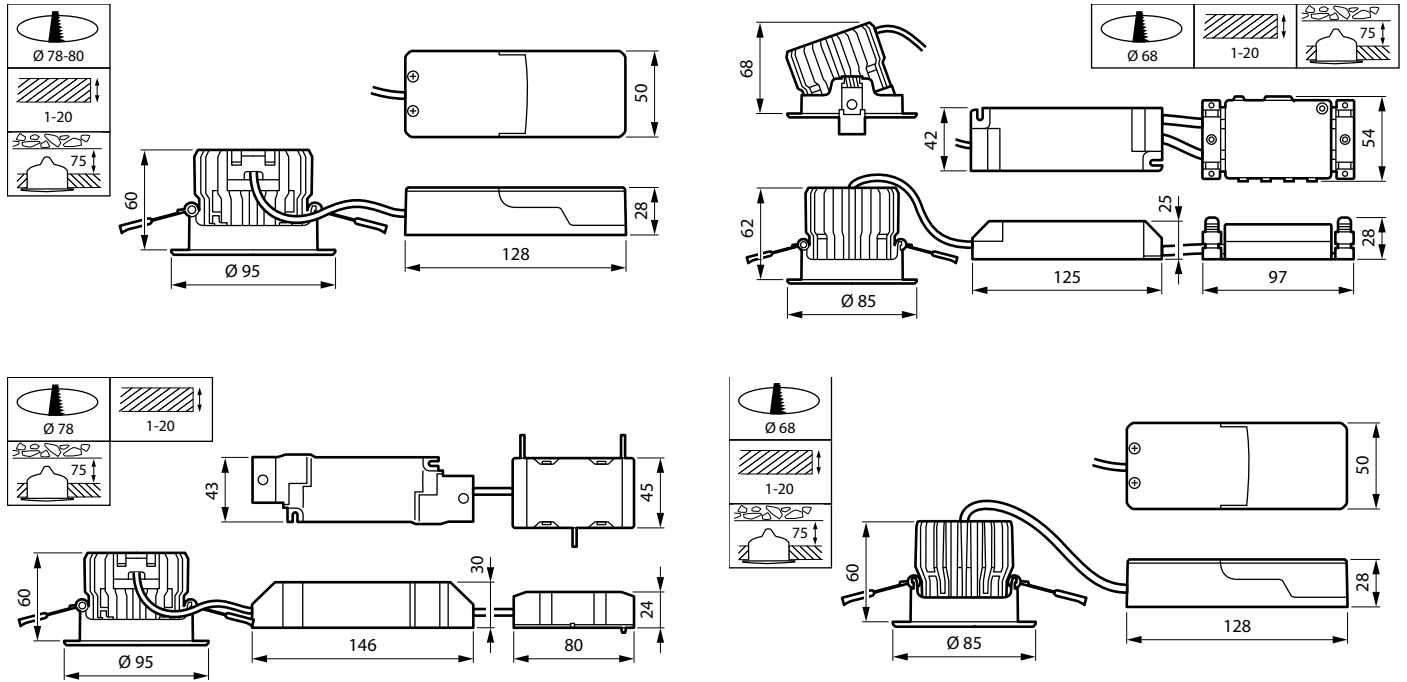
CoreLine Recessed Spot gen2
D68mm 650-950-1200lm Fix WH

Dimensional drawing



CoreLine Recessed Spot gen2

Dimensional drawing



Product details



CoreLine_Recessed_Spot-
RS140B-DPP.TIF



CoreLine_Recessed_Spot-RS141B-
DPP.TIF



CoreLine_Recessed_Spot-
RS140B_Fixed_ALU-DPP.TIF



CoreLine_Recessed_Spot-
RS141B_Adjustable_ALU-DPP.TIF

CoreLine Recessed Spot gen2

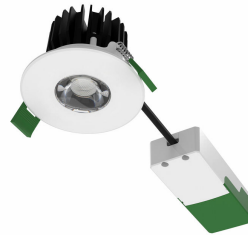
Product details



CoreLine Recessed Spot gen2
D68mm 650-950-1200lm
Adjustable WH DDP



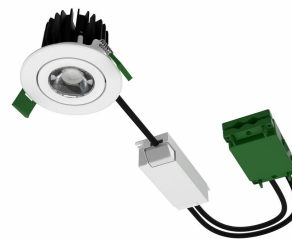
CoreLine Recessed Spot gen2
D68mm 650-950-1200lm Fix WH
DDP



CoreLine Recessed Spot gen2
D68mm 650-950-1200lm Fix WH
DDP



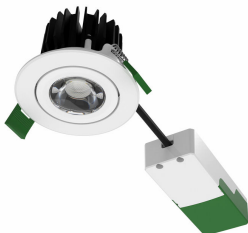
CoreLine Recessed Spot gen2
D68mm 650-950-1200lm
Adjustable WH DDP



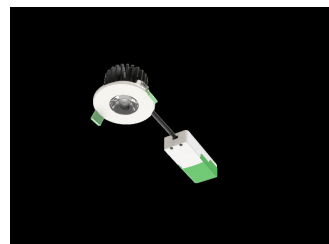
CoreLine Recessed Spot gen2
D68mm 1200lm Adjustable PSD
WH DDP



CoreLine Recessed Spot gen2
D78mm 1200lm PSD Adjustable



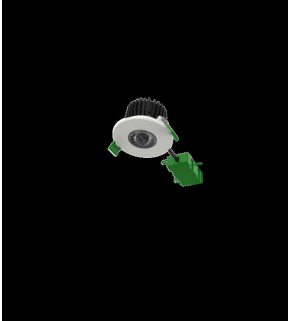
CoreLine Recessed Spot gen2
D68mm 650-950-1200lm
Adjustable WH DDP



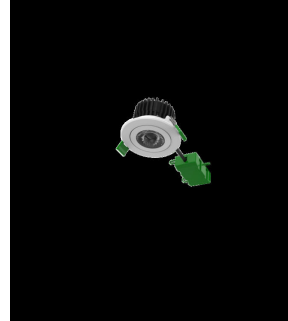
CoreLine Recessed Spot gen2
D78mm 1200lm PSR Fix

CoreLine Recessed Spot gen2

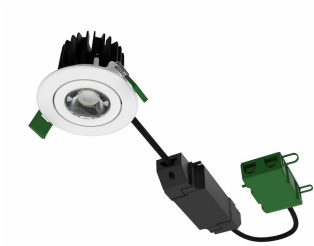
Product details



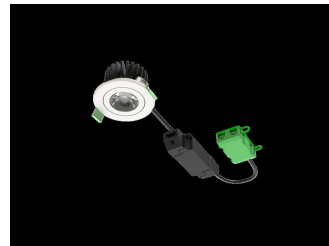
CoreLine Recessed Spot gen2
D78mm 650-950lm Fix



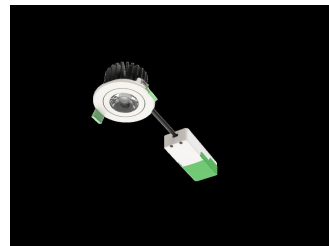
CoreLine Recessed Spot gen2
D78mm 650-900lm PSR
Adjustable



CoreLine Recessed Spot gen2
D68mm 1200lm Adjustable WIA
WH DDP



CoreLine Recessed Spot gen2
D78mm 1200lm WIA Adjustable



CoreLine Recessed Spot gen2
D78mm 1200lm PSR Adjustable

CoreLine Recessed Spot gen2

General Information

Driver included	Yes
Light source replaceable	Yes
Number of gear units	1 unit

Light Technical

Beam angle of light source	120 degree(s)
Color rendering index (CRI)	>80
Optic type	Wide beam

Operating and Electrical

Protection class IEC	Safety class II
Input Voltage	220 to 240 V
Line Frequency	50 or 60 Hz
Suitable for random switching	No

Controls and Dimming

Dimmable	Yes
Maximum dim level	10% (depends on dimmer, ELV)

Mechanical and Housing

Mech. impact protection code	IK03
------------------------------	------

Approval and Application

Ambient temperature range	0 to +35 °C
CE mark	Yes
ENEC mark	ENEC mark
Flammability mark	For mounting on normally flammable surfaces
Glow-wire test	Temperature 650 °C, duration 30 s
Flickering value (PstLM) - Flickering value as per EN 61000-3-3	1
Stroboscopic effect visibility measure (SVM)	0.4

Initial Performance (IEC Compliant)

Luminous flux tolerance	+/-10%
-------------------------	--------

Light Technical

Order Code	Full Product Name	Correlated Color Temperature (Nom)	Luminous Efficacy (rated) (Nom)	Luminous Flux
54826899	RS150B LED6-WB-/830 D78 PSR PI6 WH	3000 K	90 lm/W	650 lm
54827599	RS150B LED6-WB-/840 D78 PSR PI6 WH	4000 K	90 lm/W	650 lm
54828299	RS150B LED9-WB-/830 D78 PSR PI6 WH	3000 K	88 lm/W	900 lm
54829999	RS150B LED9-WB-/840 D78 PSR PI6 WH	4000 K	88 lm/W	900 lm
54830599	RS150B LED12-WB-/830 D78 PSR PI6 WH	3000 K	98 lm/W	1,200 lm
54831299	RS150B LED12-WB-/840 D78 PSR PI6 WH	4000 K	98 lm/W	1,200 lm
54811499	RS151B LED6-WB-/830 D78 PSR PI6 WH	3000 K	90 lm/W	650 lm
54813899	RS151B LED6-WB-/840 D78 PSR PI6 WH	4000 K	90 lm/W	650 lm
54816999	RS151B LED9-WB-/830 D78 PSR PI6 WH	3000 K	88 lm/W	900 lm
54818399	RS151B LED9-WB-/840 D78 PSR PI6 WH	4000 K	88 lm/W	900 lm
54819099	RS151B LED12-WB-/830 D78 PSR PI6 WH	3000 K	98 lm/W	1,200 lm
54821399	RS151B LED12-WB-/840 D78 PSR PI6 WH	4000 K	98 lm/W	1,200 lm
54823799	RS151B LED12-WB-/840 D78 WIA PI6 WH	4000 K	100 lm/W	1,200 lm
54825199	RS151B LED12-WB-/840 D78 PSD P110 WH	4000 K	98 lm/W	1,200 lm
93821299	RS150B LED9-WB-/830 D78 PSR PI6 ALU	3000 K	88 lm/W	900 lm
94167099	RS150B LED6-WB-/827 D78 PSR PI6 ALU	2700 K	90 lm/W	650 lm
93818299	RS151B LED9-WB-/840 D78 PSR PI6 ALU	4000 K	88 lm/W	900 lm
93819999	RS151B LED12-WB-/840 D78 PSR PI6 ALU	4000 K	98 lm/W	1,200 lm
54824499	RS151B LED12-WB-/830 D78 PSD P110 WH	3000 K	98 lm/W	1,200 lm
94081999	RS156B LED6-WB-/840 D68 PSR PI6 WH	4000 K	110 lm/W	800 lm
94091899	RS156B LED12-WB-/840 D68 PSR PI6 WH	4000 K	112 lm/W	1,380 lm
94093299	RS156B LED12-WB-/830 D68 WIA PI6 WH	3000 K	108 lm/W	1,300 lm
94094999	RS156B LED12-WB-/840 D68 WIA PI6 WH	4000 K	115 lm/W	1,380 lm
94095699	RS156B LED12-WB-/830 D68 PSD P110 WH	3000 K	105 lm/W	1,300 lm
94099499	RS155B LED6-WB-/840 D68 PSR PI6 WH	4000 K	110 lm/W	800 lm

CoreLine Recessed Spot gen2

Order Code	Full Product Name	Correlated Color Temperature (Nom)	Luminous Efficacy (rated) (Nom)	Luminous Flux
94100799	RS155B LED9-WB-/830 D68 PSR P16 WH	3000 K	98 lm/W	1,000 lm

Operating and Electrical

Order Code	Full Product Name	Power Consumption	Order Code	Full Product Name	Power Consumption
54826899	RS150B LED6-WB-/830 D78 PSR P16 WH	7.2 W	54825199	RS151B LED12-WB-/840 D78 PSD P110 WH	12.3 W
54827599	RS150B LED6-WB-/840 D78 PSR P16 WH	7.2 W	93821299	RS150B LED9-WB-/830 D78 PSR P16 ALU	10.2 W
54828299	RS150B LED9-WB-/830 D78 PSR P16 WH	10.2 W	94167099	RS150B LED6-WB-/827 D78 PSR P16 ALU	7.2 W
54829999	RS150B LED9-WB-/840 D78 PSR P16 WH	10.2 W	93818299	RS151B LED9-WB-/840 D78 PSR P16 ALU	10.2 W
54830599	RS150B LED12-WB-/830 D78 PSR P16 WH	12.3 W	93819999	RS151B LED12-WB-/840 D78 PSR P16 ALU	12.3 W
54831299	RS150B LED12-WB-/840 D78 PSR P16 WH	12.3 W	54824499	RS151B LED12-WB-/830 D78 PSD P110 WH	12.3 W
54811499	RS151B LED6-WB-/830 D78 PSR P16 WH	7.2 W	94081999	RS156B LED6-WB-/840 D68 PSR P16 WH	7.2 W
54813899	RS151B LED6-WB-/840 D78 PSR P16 WH	7.2 W	94091899	RS156B LED12-WB-/840 D68 PSR P16 WH	12.3 W
54816999	RS151B LED9-WB-/830 D78 PSR P16 WH	10.2 W	94093299	RS156B LED12-WB-/830 D68 WIA P16 WH	12 W
54818399	RS151B LED9-WB-/840 D78 PSR P16 WH	10.2 W	94094999	RS156B LED12-WB-/840 D68 WIA P16 WH	12 W
54819099	RS151B LED12-WB-/830 D78 PSR P16 WH	12.3 W	94095699	RS156B LED12-WB-/830 D68 PSD P110 WH	12.3 W
54821399	RS151B LED12-WB-/840 D78 PSR P16 WH	12.3 W	94099499	RS155B LED6-WB-/840 D68 PSR P16 WH	7.2 W
54823799	RS151B LED12-WB-/840 D78 WIA P16 WH	12 W	94100799	RS155B LED9-WB-/830 D68 PSR P16 WH	10.2 W

Mechanical and Housing

Order Code	Full Product Name	Housing Color	Ingress protection code	Order Code	Full Product Name	Housing Color	Ingress protection code
54826899	RS150B LED6-WB-/830 D78 PSR P16 WH	White	IP20/65	93821299	RS150B LED9-WB-/830 D78 PSR P16 ALU	Aluminum	IP20/65
54827599	RS150B LED6-WB-/840 D78 PSR P16 WH	White	IP20/65	94167099	RS150B LED6-WB-/827 D78 PSR P16 ALU	Aluminum	IP20/65
54828299	RS150B LED9-WB-/830 D78 PSR P16 WH	White	IP20/65	93818299	RS151B LED9-WB-/840 D78 PSR P16 ALU	Aluminum	IP20/44
54829999	RS150B LED9-WB-/840 D78 PSR P16 WH	White	IP20/65	93819999	RS151B LED12-WB-/840 D78 PSR P16 ALU	Aluminum	IP20/44
54830599	RS150B LED12-WB-/830 D78 PSR P16 WH	White	IP20/65	54824499	RS151B LED12-WB-/830 D78 PSD P110 WH	White	IP20/44
54831299	RS150B LED12-WB-/840 D78 PSR P16 WH	White	IP20/65	94081999	RS156B LED6-WB-/840 D68 PSR P16 WH	White	IP20/44
54811499	RS151B LED6-WB-/830 D78 PSR P16 WH	White	IP20/44	94091899	RS156B LED12-WB-/840 D68 PSR P16 WH	White	IP20/44
54813899	RS151B LED6-WB-/840 D78 PSR P16 WH	White	IP20/44	94093299	RS156B LED12-WB-/830 D68 WIA P16 WH	White	IP20/44
54816999	RS151B LED9-WB-/830 D78 PSR P16 WH	White	IP20/44	94094999	RS156B LED12-WB-/840 D68 WIA P16 WH	White	IP20/44
54818399	RS151B LED9-WB-/840 D78 PSR P16 WH	White	IP20/44	94095699	RS156B LED12-WB-/830 D68 PSD P110 WH	White	IP20/44
54819099	RS151B LED12-WB-/830 D78 PSR P16 WH	White	IP20/44		WH		
54821399	RS151B LED12-WB-/840 D78 PSR P16 WH	White	IP20/44	94099499	RS155B LED6-WB-/840 D68 PSR P16 WH	White	IP20/65
54823799	RS151B LED12-WB-/840 D78 WIA P16 WH	White	IP20/44	94100799	RS155B LED9-WB-/830 D68 PSR P16 WH	White	IP20/65
54825199	RS151B LED12-WB-/840 D78 PSD P110 WH	White	IP20/44				

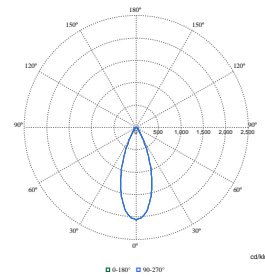
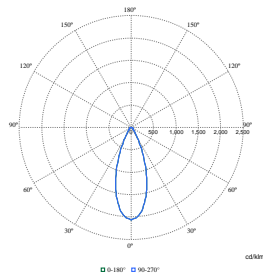
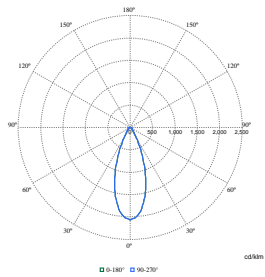
Initial Performance (IEC Compliant)

Order Code	Full Product Name	Initial chromaticity	Order Code	Full Product Name	Initial chromaticity
54826899	RS150B LED6-WB-/830 D78 PSR P16 WH	(0.43, 0.40) SDCM <5	54813899	RS151B LED6-WB-/840 D78 PSR P16 WH	(0.38, 0.38) SDCM <5
54827599	RS150B LED6-WB-/840 D78 PSR P16 WH	(0.38, 0.38) SDCM <5	54816999	RS151B LED9-WB-/830 D78 PSR P16 WH	(0.43, 0.40) SDCM <5
54828299	RS150B LED9-WB-/830 D78 PSR P16 WH	(0.43, 0.40) SDCM <5	54818399	RS151B LED9-WB-/840 D78 PSR P16 WH	(0.38, 0.38) SDCM <5
54829999	RS150B LED9-WB-/840 D78 PSR P16 WH	(0.38, 0.38) SDCM <5	54819099	RS151B LED12-WB-/830 D78 PSR P16 WH	(0.43, 0.40) SDCM <5
54830599	RS150B LED12-WB-/830 D78 PSR P16 WH	(0.43, 0.40) SDCM <5	54821399	RS151B LED12-WB-/840 D78 PSR P16 WH	(0.38, 0.38) SDCM <5
54831299	RS150B LED12-WB-/840 D78 PSR P16 WH	(0.38, 0.38) SDCM <5	54823799	RS151B LED12-WB-/840 D78 WIA P16 WH	(0.38, 0.38) SDCM <5
54811499	RS151B LED6-WB-/830 D78 PSR P16 WH	(0.43, 0.40) SDCM <5	54825199	RS151B LED12-WB-/840 D78 PSD P110 WH	(0.38, 0.38) SDCM <5

CoreLine Recessed Spot gen2

Order Code	Full Product Name	Initial chromaticity	Order Code	Full Product Name	Initial chromaticity
93821299	RS150B LED9-WB-/830 D78 PSR PI6 ALU	(0.43, 0.40) SDCM <5	94091899	RS156B LED12-WB-/840 D68 PSR PI6 WH	(0.38, 0.38) SDCM <5
94167099	RS150B LED6-WB-/827 D78 PSR PI6 ALU	(0.46, 0.41) SDCM <5	94093299	RS156B LED12-WB-/830 D68 WIA PI6 WH	(0.43, 0.40) SDCM <5
93818299	RS151B LED9-WB-/840 D78 PSR PI6 ALU	(0.38, 0.38) SDCM <5	94094999	RS156B LED12-WB-/840 D68 WIA PI6 WH	(0.38, 0.38) SDCM <5
93819999	RS151B LED12-WB-/840 D78 PSR PI6 ALU	(0.38, 0.38) SDCM <5	94095699	RS156B LED12-WB-/830 D68 PSD PI10 WH	(0.43, 0.40) SDCM <5
54824499	RS151B LED12-WB-/830 D78 PSD PI10 WH	(0.43, 0.40) SDCM <5	94099499	RS155B LED6-WB-/840 D68 PSR PI6 WH	(0.38, 0.38) SDCM <5
94081999	RS156B LED6-WB-/840 D68 PSR PI6 WH	(0.38, 0.38) SDCM <5	94100799	RS155B LED9-WB-/830 D68 PSR PI6 WH	(0.43, 0.40) SDCM <5

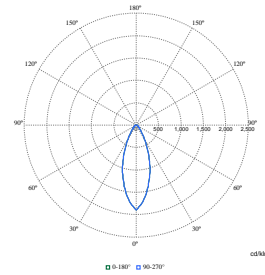
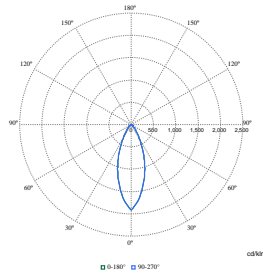
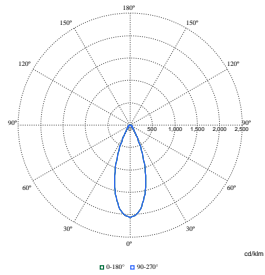
Polar Wide Diagrams



Polar Normal (separate) - null - 911401810384

Polar Normal (separate) - null - 911401810484

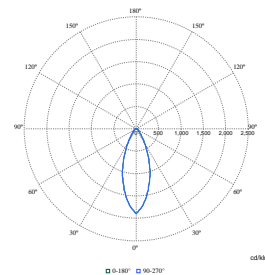
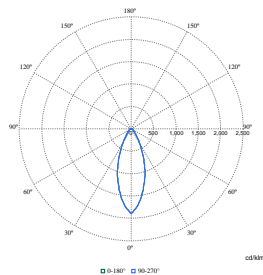
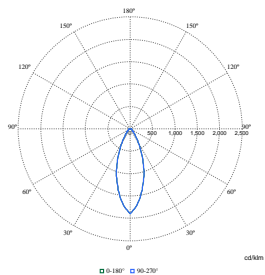
Polar Normal (separate) - null - 911401810684



Polar Normal (separate) - null - 911401824584

Polar Normal (separate) - null - 911401820784

Polar Normal (separate) - null - 911401821784



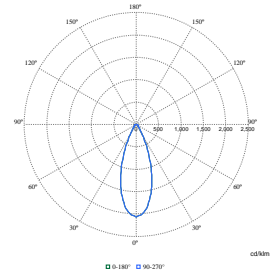
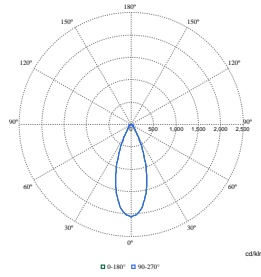
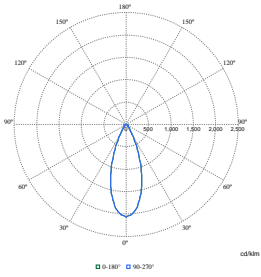
Polar Normal (separate) - null - 911401821984

Polar Normal (separate) - null - 911401822084

Polar Normal (separate) - null - 911401822184

CoreLine Recessed Spot gen2

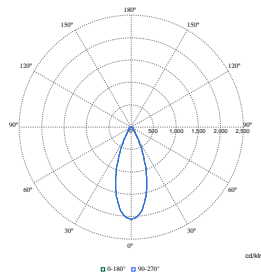
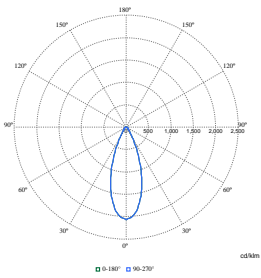
Polar Wide Diagrams



Polar Normal (separate) - null - 911401899082

Polar Normal (separate) - null - 911401899182

Polar Normal (separate) - null - 911401899282



Polar Normal (separate) - null - 911401899482

Polar Normal (separate) - null - 911401899382

