



CoreLine recessed: easy installation, excellent illumination

CoreLine recessed gen 4

Introducing Philips CoreLine recessed gen4 – a sleek, modern and energy-efficient lighting solution for offices, education, and healthcare. With higher lumen packages up to 6800 lm, improved efficiency and lifetime, and easy installation with quick connectors or Wieland connectors, Philips Coreline recessed gen4 delivers on the Philips promise of innovative, easy-to-use, high-quality luminaires. Our state-of-the-art LED technology ensures that CoreLine recessed lighting is both eco-friendly and cost-effective, saving you money on your energy bills and helping to reduce your carbon footprint. Upgrade your office, education, or healthcare lighting with CoreLine recessed today and enjoy bright and long-lasting illumination that blends seamlessly with any interior décor.

Benefits

- Energy-efficient: Our state-of-the-art LED technology ensures that CoreLine recessed luminaires are both eco-friendly and cost-effective, saving you money on your energy bills and helping to reduce your carbon footprint
- Bright and effective: With higher lumen packages up to 6800 lm, CoreLine recessed luminaires deliver bright and effective illumination for your home, office, or classroom.
- Easy installation: Quick connectors make installation a breeze, ensuring a hassle-free and user-friendly experience.
- Modern design: With its sleek and modern design, CoreLine recessed gen4 blends seamlessly with any interior décor, enhancing the atmosphere of any space.
- Long-lasting: Improved efficiency and lifetime ensure long-lasting and eco-friendly lighting that will last for years to come.

CoreLine recessed gen 4

Features

- Higher lumen packages up to 6800 lm (replacing 2 x 58W conventional light sources) for bright and effective illumination
- Improved efficiency: up to 160 lm/W for energy-saving and eco-friendly lighting
- Improved lifetime: L90@50K hrs/ L80@100K hrs for long-lasting and durable lighting
- Emergency lighting via EL Kit (recessed) for added safety and security
- Plastics-free packaging for an eco-friendly solution
- EPDs available for all listed products
- Improved all-in driver: more user-friendly, with no dipswitches for ease of use

Application

- Offices
- Healthcare
- Education

Versions

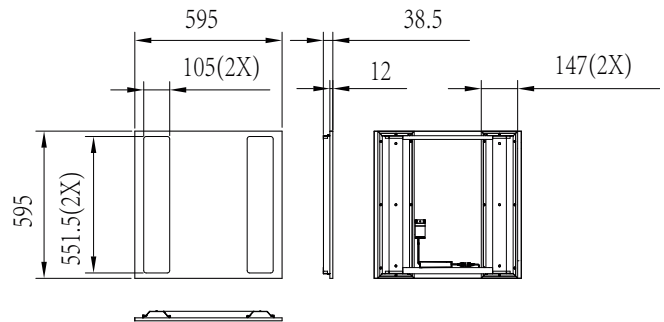
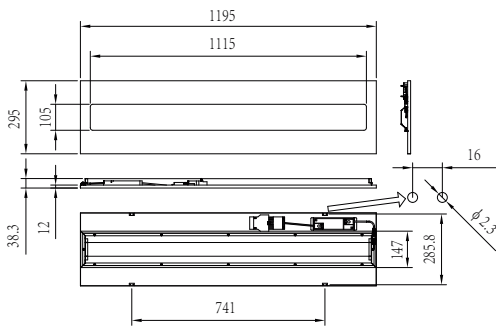


CoreLine recessed G4 W30L120



CoreLine recessed G4 W30L120 All-in

Dimensional drawing



CoreLine recessed gen 4

Product details

CoreLine recessed G4 PSU
W60L60 back side



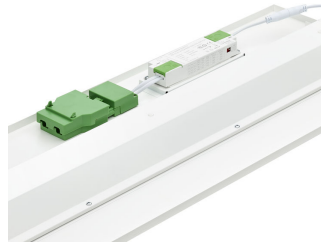
CoreLine recessed G4 W60L60 OC
Optical window



CoreLine recessed G4 W30L120
OC Optical window



CoreLine recessed G4 PSD
W30L120 back side detail



CoreLine recessed G4 W60L60
DPP



CoreLine recessed G4 PSU
W60L60 back side detail



CoreLinerecessed G4 W30L120
DPP

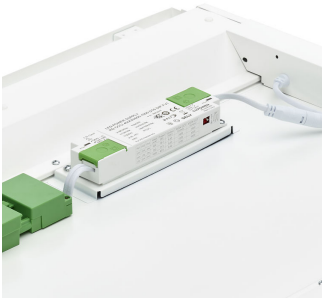


CoreLine recessed G4 W60L60
NOC Optical window

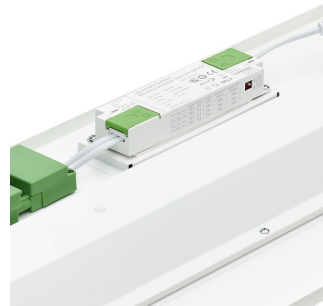


CoreLine recessed gen 4

Product details



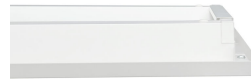
CoreLine recessed G4 PSD
W60L60 back side detail



CoreLine recessed G4 PSD
W30L120 back side detail
dipswitches



CoreLine G4 PSU All in lumen
selectable side



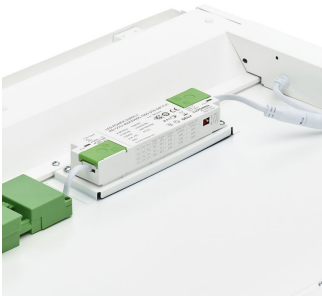
CoreLine recessed G4 W60L60
side view



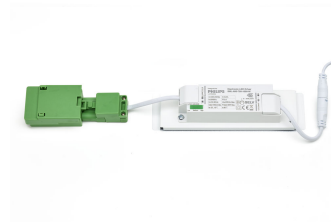
CoreLine G4 PSD All in lumen
selectable back



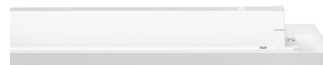
CoreLine recessed G4 PSD
W60L60 back side



CoreLine recessed G4 PSD
W60L60 back side detail
dipswitches



CoreLine G4 PSU All in lumen
selectable back



CoreLine recessed G4 W30L120
side view

CoreLine recessed gen 4

Product details

CoreLine G4 PSD All in lumen
selectable side



CoreLine recessed G4 PSD
W30L120 back side



CoreLine recessed gen 4

General Information

Driver included	Yes
Number of gear units	1 unit

Light Technical

Color rendering index (CRI)	>80
-----------------------------	-----

Operating and Electrical

Protection class IEC	Safety class II
Input Voltage	220-240 V
Line Frequency	50 or 60 Hz
Suitable for random switching	No

Mechanical and Housing

Housing Color	White
Mech. impact protection code	IK03
Ingress protection code	IP20/44

Emergency Operation

Central Emergency	No
Emergency lighting	Self-contained emergency lighting is possible when used with a compatible battery kit accessory
Emergency flux	380 lm

Approval and Application

Ambient temperature range	-10 to +40 °C
CE mark	Yes
ENEC mark	ENEC mark
Flammability mark	For mounting on normally flammable surfaces
Glow-wire test	Temperature 650 °C, duration 30 s

Initial Performance (IEC Compliant)

Luminous flux tolerance	+/-10%
-------------------------	--------

Light Technical (1/2)

Order Code	Full Product Name	All-in Type	Correlated Color	Luminous	Luminous Flux
			Temperature (Nom)	Efficacy (rated) (Nom)	
911401841287	RC136B G4 40S/830 WIA W60L60 OC	-	3000 K	145 lm/W	4,000 lm
911401841487	RC136B G4 43S/840 WIA W60L60 OC	-	4000 K	156 lm/W	4,300 lm
911401840787	RC136B G4 34_43_57S/830 PSD W60L60 OC	All-in, Multi Lumen	3000 K	148 lm/W	3,400 lm
911401840987	RC136B G4 36_45_60S/840 PSD W60L60 OC	All-in, Multi Lumen	4000 K	157 lm/W	3,600 lm
911401841087	RC136B G4 36_45_60S/840 PSU W60L60 NOC	All-in, Multi Lumen	4000 K	157 lm/W	3,600 lm
911401841187	RC136B G4 36_45_60S/840 PSU W60L60 OC	All-in, Multi Lumen	4000 K	157 lm/W	3,600 lm
911401841387	RC136B G4 43S/840 WIA W30L120 OC	-	4000 K	156 lm/W	4,300 lm
911401840687	RC136B G4 34_43_57S/830 PSD W30L120 OC	All-in, Multi Lumen	3000 K	148 lm/W	3,400 lm
911401840887	RC136B G4 36_45_60S/840 PSD W30L120 OC	All-in, Multi Lumen	4000 K	157 lm/W	3,600 lm

Light Technical (2/2)

Order Code	Full Product Name	Optic type
911401841287	RC136B G4 40S/830 WIA W60L60 OC	Wide beam office compliant
911401841487	RC136B G4 43S/840 WIA W60L60 OC	Wide beam office compliant
911401840787	RC136B G4 34_43_57S/830 PSD W60L60 OC	Wide beam office compliant

Order Code	Full Product Name	Optic type
911401840987	RC136B G4 36_45_60S/840 PSD W60L60 OC	Wide beam office compliant
911401841087	RC136B G4 36_45_60S/840 PSU W60L60 NOC	Very wide beam
911401841187	RC136B G4 36_45_60S/840 PSU W60L60 OC	Wide beam office compliant

CoreLine recessed gen 4

Order Code	Full Product Name	Optic type
911401841387	RC136B G4 43S/840 WIA W30L120 OC	Wide beam office compliant
911401840687	RC136B G4 34_43_57S/830 PSD W30L120 OC	Wide beam office compliant

Order Code	Full Product Name	Optic type
911401840887	RC136B G4 36_45_60S/840 PSD W30L120 OC	Wide beam office compliant

Operating and Electrical

Order Code	Full Product Name	Power Consumption
911401841287	RC136B G4 40S/830 WIA W60L60 OC	27.5 W
911401841487	RC136B G4 43S/840 WIA W60L60 OC	27.5 W
911401840787	RC136B G4 34_43_57S/830 PSD W60L60 OC	38.5 W
911401840987	RC136B G4 36_45_60S/840 PSD W60L60 OC	38.5 W
911401841087	RC136B G4 36_45_60S/840 PSU W60L60 NOC	38.5 W

Order Code	Full Product Name	Power Consumption
911401841187	RC136B G4 36_45_60S/840 PSU W60L60 OC	38.5 W
911401841387	RC136B G4 43S/840 WIA W30L120 OC	27.5 W
911401840687	RC136B G4 34_43_57S/830 PSD W30L120 OC	38.5 W
911401840887	RC136B G4 36_45_60S/840 PSD W30L120 OC	38.5 W

Controls and Dimming

Order Code	Full Product Name	Dimmable
911401841287	RC136B G4 40S/830 WIA W60L60 OC	Yes
911401841487	RC136B G4 43S/840 WIA W60L60 OC	Yes
911401840787	RC136B G4 34_43_57S/830 PSD W60L60 OC	Yes
911401840987	RC136B G4 36_45_60S/840 PSD W60L60 OC	Yes
911401841087	RC136B G4 36_45_60S/840 PSU W60L60 NOC	No

Order Code	Full Product Name	Dimmable
911401841187	RC136B G4 36_45_60S/840 PSU W60L60 OC	No
911401841387	RC136B G4 43S/840 WIA W30L120 OC	Yes
911401840687	RC136B G4 34_43_57S/830 PSD W30L120 OC	Yes
911401840887	RC136B G4 36_45_60S/840 PSD W30L120 OC	Yes

Initial Performance (IEC Compliant)

Order Code	Full Product Name	Initial chromaticity
911401841287	RC136B G4 40S/830 WIA W60L60 OC	(0.44,0.40)SDCM<3
911401841487	RC136B G4 43S/840 WIA W60L60 OC	(0.38,0.38)SDCM<3
911401840787	RC136B G4 34_43_57S/830 PSD W60L60 OC	(0.44,0.40)SDCM<3
911401840987	RC136B G4 36_45_60S/840 PSD W60L60 OC	(0.38,0.38)SDCM<3
911401841087	RC136B G4 36_45_60S/840 PSU W60L60 NOC	(0.38,0.38)SDCM<3

Order Code	Full Product Name	Initial chromaticity
911401841187	RC136B G4 36_45_60S/840 PSU W60L60 OC	(0.38,0.38)SDCM<3
911401841387	RC136B G4 43S/840 WIA W30L120 OC	(0.38,0.38)SDCM<3
911401840687	RC136B G4 34_43_57S/830 PSD W30L120 OC	(0.44,0.40)SDCM<3
911401840887	RC136B G4 36_45_60S/840 PSD W30L120 OC	(0.38,0.38)SDCM<3

