



## Group Dimming, Programmable Dimming, Controlling using Fixed Calendars, Astro Clock, Photocells (Central/Individual) , Alarms

Signify Group Cabinet Control enables remote grouping, monitoring, and controlling of diverse outdoor luminaires. Customers can control their lighting installations, through a retrofitted modular cabinet solution at the electrical cabinet. Supports optimized energy consumption and manages KPIs better. The solution autonomously executes complex tasks based on the configurations. The Controller can automatically switch between different available communications carriers to provide stable and reliable communications to Interact application(s).

### Benefits

- Modular solution based on the
- Retrofitted at the existing electrical cabinet ;
- Customer controlled connected cabinet and lighting installation;
- Can be hosted on-premise or in cloud
- Monitoring and taking corrective actions

### Applications

- Road and Street
- Arena and Sports
- Airports
- City Tunnels

## Features

- Central switching (on/off) of a whole group of lighting points;
- Cabinet door 'open' detection; Mains power failure alarm; Includes centralized switching from either a central schedule astro-clock, a photocell or an external trigger signal.
- Flexible to connect with any compatible RS485 energy meter;
- Scalable across 2G (GPRS)/3G/4G and Ethernet connectivity;
- Built in GPS for accurate positioning (Gen. 3 onwards);
- Future-proof, upgradeable system;
- Wide operating voltage range from 120-277V makes the controller to be used in wide geographical locations.
- Refer to Documentation portal for all technical documents (<https://www.sns.portal.signify.com/internal/index.html/>);
- Check the local LTE band applicable before placing an order for the controller;
- No UL certification in Gen3+ controller and modules;
- Update forecast for Gen3+ in Koolog tool to ensure on-time delivery for projects

## Versions

LCU7720



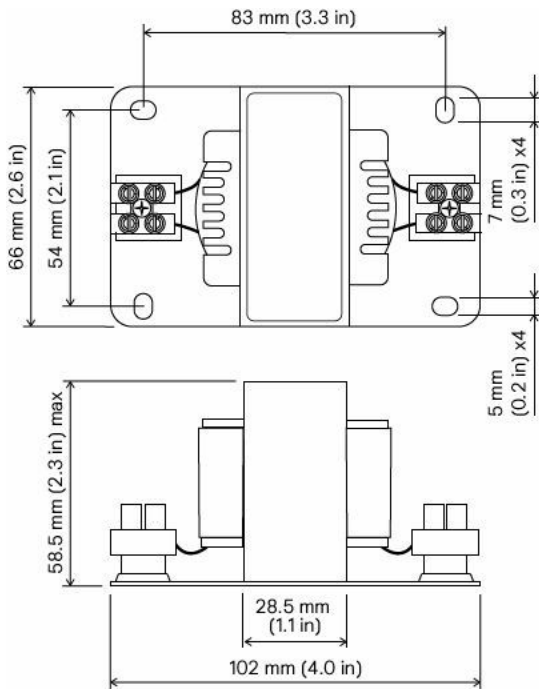
LCU7725



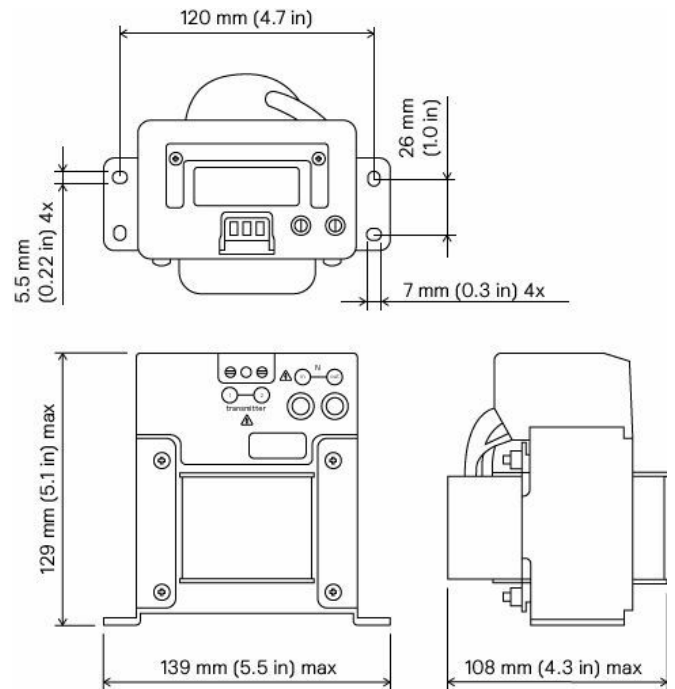
LLC7740



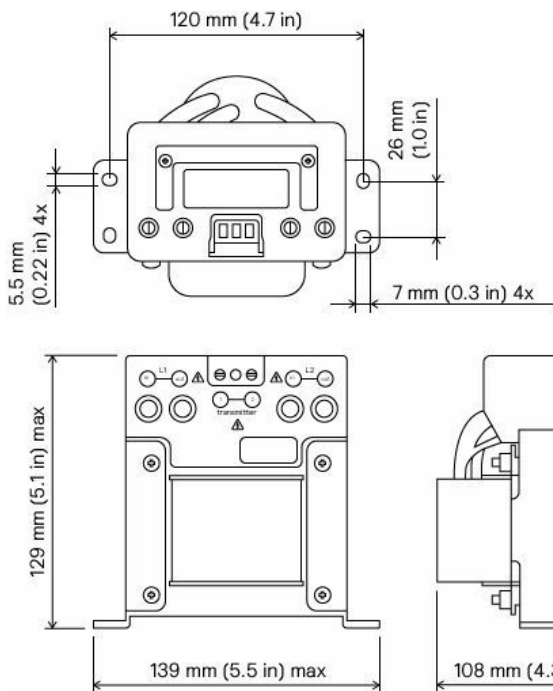
## Dimensional drawing



LLC7740/00 Coded Mains Receiver Adaptor



LCU7725/00 Coded Mains Transformer LN



LCU7720/00 Coded Mains Transformer LL