



The energy-saving alternative for lighting in public areas

MASTER LED spot PAR

With its robust design and warm-white beam of light, these new-generation PAR lamps are ideal for general lighting and spot lighting in the hospitality industry. There is a choice of dimmable and non-dimmable versions. They are especially suitable for public areas such as lobbies, corridors, stairwells, where the light is always on.

Benefits

- Up to 80% energy saving compared to halogen lamps
- Retrofittable and compatible with existing fixtures with E27 holder
- Lower maintenance costs

Features

- Lifetime of 45,000 hours
- Dimmable (except PAR38 OD)
- UV- and IR-free light for less heat and protection for heat-sensitive objects
- Free of mercury and hazardous materials – RoHS compliant

Application

- Hotels, restaurants, bars, cafés, museums, shops, musea, art. galleries, lobbies, corridors, stairwells, washrooms, reception areas, exhibitions, display cabinets

MASTER LED spot PAR

Versions



MASTER LEDspot PAR 100W E27 827 25D

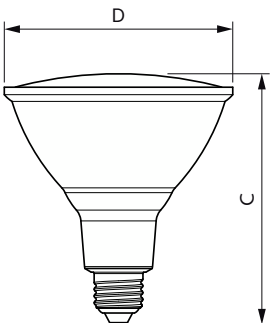
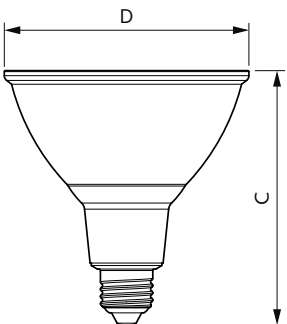
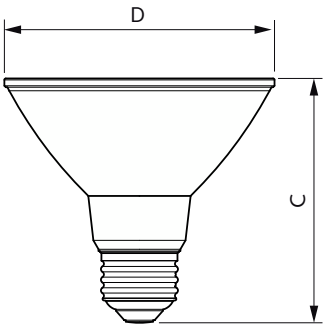


LEDclassic PAR38 25D POS2



LEDspots MAS GMGC1 PAR30S E27

Dimensional drawing



Product	D	C
MAS LEDspot D 12-100W E27 927 PAR30S 25D	92 mm	84 mm

Product	D	C
MAS LEDspot D 13-100W E27 927 PAR38 25D	124 mm	130 mm

Product	D	C
LEDclassic 10-80WPAR38 827 25D 1CT/3 SRT	122 mm	134 mm

MASTER LED spot PAR

General Information

Cap-Base E27

Light Technical

Beam Angle (Nom) 25 degree(s)

Correlated Color Temperature (Nom) 2700 K

LLMF At End Of Nominal Lifetime (Nom) 70 %

Operating and Electrical

Input Frequency 50 to 60 Hz

Starting Time (Nom) 0.5 s

Mechanical and Housing

Bulb Finish Clear

Approval and Application

Ambient temperature range -20 to +45 °C

General Information

Order Code	Full Product Name	Rated Lifetime (Hours)	Switching Cycle	Nominal lifetime
929001322779	LEDClassic 10-80WPAR38 827 25D 1CT/3 SRT	15,000 hour(s)	25,000	15,000 hour(s)
929002339008	MAS LEDspot D 13-100W E27 927 PAR38 25D	-	50,000	25,000 hour(s)
929002030808	MAS LEDspot D 12-100W E27 927 PAR30S 25D	-	50,000	25,000 hour(s)

Light Technical

Order Code	Full Product Name	Color rendering index (CRI)	Color Code	Luminous Flux	Luminous Intensity (Nom)
929001322779	LEDClassic 10-80WPAR38 827 25D 1CT/3 SRT	80	827	900 lm	1,800 cd
929002339008	MAS LEDspot D 13-100W E27 927 PAR38 25D	90	927	1,100 lm	3,500 cd

Order Code	Full Product Name	Color rendering index (CRI)	Color Code	Luminous Flux	Luminous Intensity (Nom)
929002030808	MAS LEDspot D 12-100W E27 927 PAR30S 25D	90	927	1,000 lm	3,000 cd

Operating and Electrical

Order Code	Full Product Name	Power Consumption	Wattage Equivalent
929001322779	LEDClassic 10-80WPAR38 827 25D 1CT/3 SRT	10 W	80 W
929002339008	MAS LEDspot D 13-100W E27 927 PAR38 25D	13 W	100 W

Order Code	Full Product Name	Power Consumption	Wattage Equivalent
929002030808	MAS LEDspot D 12-100W E27 927 PAR30S 25D	12 W	100 W

Temperature

Order Code	Full Product Name	T-Case Maximum (Nom)
929001322779	LEDClassic 10-80WPAR38 827 25D 1CT/3 SRT	80 °C
929002339008	MAS LEDspot D 13-100W E27 927 PAR38 25D	75 °C

Order Code	Full Product Name	T-Case Maximum (Nom)
929002030808	MAS LEDspot D 12-100W E27 927 PAR30S 25D	85 °C

Controls and Dimming

Order Code	Full Product Name	Dimmable
929001322779	LEDClassic 10-80WPAR38 827 25D 1CT/3 SRT	No
929002339008	MAS LEDspot D 13-100W E27 927 PAR38 25D	Only with specific dimmers

Order Code	Full Product Name	Dimmable
929002030808	MAS LEDspot D 12-100W E27 927 PAR30S 25D	Only with specific dimmers

MASTER LED spot PAR

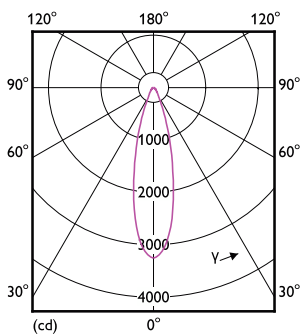
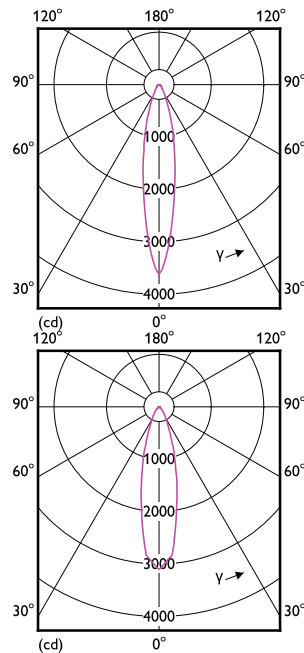
Mechanical and Housing

Order Code	Full Product Name	Bulb Shape
929001322779	LEDClassic 10-80WPAR38 827 25D 1CT/3 SRT	PAR38
929002339008	MAS LEDspot D 13-100W E27 927 PAR38 25D	PAR38

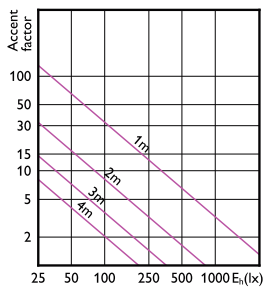
Order Code	Full Product Name	Bulb Shape
929002030808	MAS LEDspot D 12-100W E27 927 PAR30S 25D	PAR30S

Approval and Application

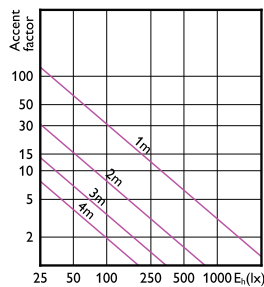
Order Code	Full Product Name	Energy Consumption kWh/1000 h
929001322779	LEDClassic 10-80WPAR38 827 25D 1CT/3 SRT	10 kWh
929002339008	MAS LEDspot D 13-100W E27 927 PAR38 25D	-
929002030808	MAS LEDspot D 12-100W E27 927 PAR30S 25D	-



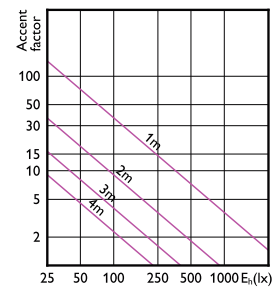
Accent Diagrams



Accent Diagram - MAS LEDspot D 13-100W E27 927 PAR38 25D



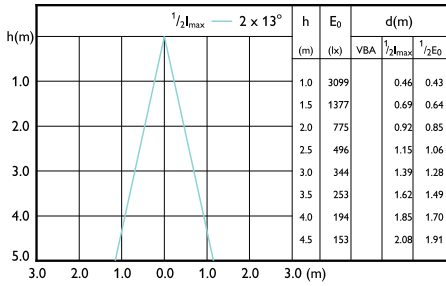
Accent Diagram - MAS LEDspot D 12-100W E27 927 PAR30S 25D



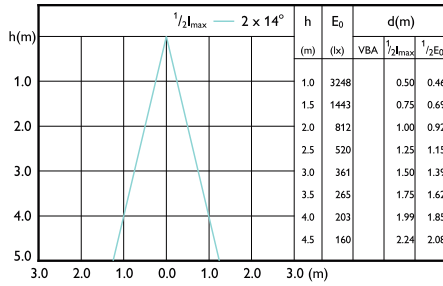
Accent Diagram - LEDClassic 10-80WPAR38 827 25D 1CT/3 SRT

MASTER LED spot PAR

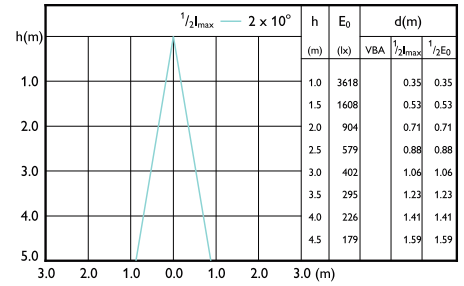
Beam Diagrams



Beam diagram - MAS LEDspot D 12-100W E27 927 PAR30S 25D



Beam diagram - MAS LEDspot D 13-100W E27 927 PAR38 25D



Beam diagram - LEDClassic 10-80W PAR38 827 25D 1CT/3 SRT

