



# Descrição do produto

## MASTER LEDspot MV

Emitindo um feixe de acentuação quente semelhante ao das lâmpadas de halogéneo, o MASTER LEDspot GU10 é ideal para iluminação direccionada (pistas, corredores, entradas de elevadores, vitrinas e armários) na indústria hoteleira. É particularmente adequada a zonas públicas como entradas, corredores, escadas, em que a luz está acesa 24 horas por dia, todos os dias. O MASTER LEDspot GU10 possibilita enormes poupança de energia e minimiza o custo de manutenção sem comprometer o brilho, permitindo aos proprietários de estabelecimentos de hotelaria obter um retorno do investimento no prazo de um ano. Compatível com a maioria dos equipamentos existentes com um casquilho GU10 e concebido como uma alternativa de substituição para lâmpadas de halogéneo de 35 e 50 W.

### Benefícios

- 85% de poupança de energia
- Retorno do investimento no prazo de um ano

### Características

- Compatível com uma vasta gama de reguladores
- Vida útil de 25.000 a 45.000 horas
- Difusão de feixe claramente definida
- Luz sem UV nem IR para menos calor e protecção para objectos sensíveis ao calor

### Aplicação

- Hotéis, restaurantes, bares, cafés
- Entradas, corredores, escadas

### Avisos e Segurança

- Operating temperature range is between -20° C and 45° C ambient
- Only to apply in dry or damp locations and most of open fixtures with lamp-holders that offer sufficient space (10 mm free air space)
- Not intended for use with emergency light fixtures or exit lights

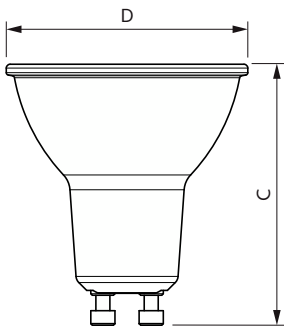
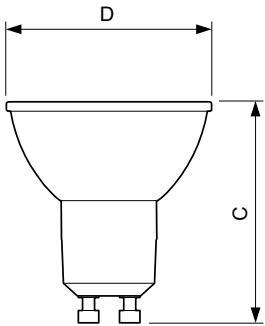
# MASTER LEDspot MV

## Versions



LEDspots VLE D 650lm GU10 930 120D

## Desenho dimensional



Product	D	C
MAS LED spot VLE DT 6.2-80W GU10 927 36D	50 mm	56 mm

Product	D	C
MAS LED spot VLE D 2.8-35W GU10 927 36D	50 mm	54 mm
MAS LED spot VLE D 2.8-35W GU10 927 60D	50 mm	54 mm
MAS LED spot VLE D 2.8-35W GU10 930 36D	50 mm	54 mm
MAS LED spot VLE D 2.8-35W GU10 940 36D	50 mm	54 mm
MAS LED spot VLE D 3.7-50W GU10 927 36D	50 mm	54 mm
MAS LED spot VLE D 3.7-50W GU10 927 60D	50 mm	54 mm
MAS LED spot VLE D 3.7-50W GU10 930 36D	50 mm	54 mm
MAS LED spot VLE D 3.7-50W GU10 930 60D	50 mm	54 mm
MAS LED spot VLE D 3.7-50W GU10 940 36D	50 mm	54 mm
MAS LED spot VLE D 3.7-50W GU10 940 60D	50 mm	54 mm
MAS LED spot VLE D 5.5-80W GU10 927 36D	50 mm	54 mm
MAS LED spot VLE D 5.5-80W GU10 930 36D	50 mm	54 mm
MAS LED spot VLE D 5.5-80W GU10 940 36D	50 mm	54 mm
MAS LED spot VLE D 5.5-80W GU10 965 36D	50 mm	54 mm
MAS LED spot VLE D 650lm GU10 930 120D	50 mm	55,5 mm
MAS LED spot VLE D 680lm GU10 940 120D	50 mm	55,5 mm
MAS LED spot VLE D 680lm GU10 965 120D	50 mm	55,5 mm
MAS LED spot VLE DT 2.8-35W GU10 927 36D	50 mm	54 mm
MAS LED spot VLE DT 3.7-50W GU10 927 36D	50 mm	54 mm
MAS LED spot VLE DT 5.5-80W GU10 927 36D	50 mm	54 mm

# MASTER LEDspot MV

## Informações gerais

Casquilho	GU10
Vida útil nominal	25.000 h

## Caraterísticas técnicas da luz

Índice de Restituição Cromática (IRC)	90
LLMF no final da vida útil nominal (Nom.)	70 %

## Funcionamento e caraterísticas elétricas

Frequência de entrada	50 a 60 Hz
Tempo de arranque (Nom.)	0,5 s

## Controlos e regulação

Regulável	Apenas com reguladores específicos
-----------	------------------------------------

## Caraterísticas mecânicas e compartimento

Formato da lâmpada	PAR16
--------------------	-------

## Aprovação e aplicação

Intervalo de temperatura ambiente	-20 a +45 °C
-----------------------------------	--------------

## Informações gerais

Order Code	Full Product Name	Ciclo de comutação
66271400	MASTER LED spot VLE DT 6.2-80W GU10 927 36D	50.000
03821000	MASTER LED spot VLE DT 5.5-80W GU10 927 36D	50.000
03835700	MASTER LED spot VLE D 5.5-80W GU10 927 36D	50.000
03827200	MASTER LED spot VLE D 5.5-80W GU10 930 36D	50.000
03823400	MASTER LED spot VLE D 5.5-80W GU10 940 36D	50.000
03825800	MASTER LED spot VLE D 5.5-80W GU10 965 36D	50.000
39914300	MASTER LED spot VLE DT 2.8-35W GU10 927 36D	50.000
39948800	MASTER LED spot VLE DT 3.7-50W GU10 927 36D	50.000
39912900	MASTER LED spot VLE D 2.8-35W GU10 927 36D	50.000
39928000	MASTER LED spot VLE D 2.8-35W GU10 930 36D	50.000
39930300	MASTER LED spot VLE D 2.8-35W GU10 940 36D	50.000
39916700	MASTER LED spot VLE D 2.8-35W GU10 927 60D	50.000
39920400	MASTER LED spot VLE D 3.7-50W GU10 927 36D	50.000
39944000	MASTER LED spot VLE D 3.7-50W GU10 930 36D	50.000
39946400	MASTER LED spot VLE D 3.7-50W GU10 940 36D	50.000
39934100	MASTER LED spot VLE D 3.7-50W GU10 927 60D	25.000
39936500	MASTER LED spot VLE D 3.7-50W GU10 930 60D	25.000
39938900	MASTER LED spot VLE D 3.7-50W GU10 940 60D	25.000
03829600	MASTER LED spot VLE D 650lm GU10 930 120D	50.000
03831900	MASTER LED spot VLE D 680lm GU10 940 120D	50.000
03833300	MASTER LED spot VLE D 680lm GU10 965 120D	50.000

## Caraterísticas técnicas da luz (1/2)

Order Code	Full Product Name	Ângulo do feixe (Nom.)	Temperatura de cor		Código da cor	Fluxo Luminoso
			(Nom.)	cor correlacionada		
66271400	MASTER LED spot VLE DT 6.2-80W GU10 927 36D	36 °	2700 K		922-927	575 lm
03821000	MASTER LED spot VLE DT 5.5-80W GU10 927 36D	36 °	2200 K		922-927	575 lm
03835700	MASTER LED spot VLE D 5.5-80W GU10 927 36D	36 °	2700 K		927	575 lm
03827200	MASTER LED spot VLE D 5.5-80W GU10 930 36D	36 °	3000 K		930	575 lm
03823400	MASTER LED spot VLE D 5.5-80W GU10 940 36D	36 °	4000 K		940	575 lm
03825800	MASTER LED spot VLE D 5.5-80W GU10 965 36D	36 °	6500 K		965	575 lm
39914300	MASTER LED spot VLE DT 2.8-35W GU10 927 36D	36 °	2200 K		922-927	280 lm

Order Code	Full Product Name	Ângulo do feixe (Nom.)	Temperatura de cor		Código da cor	Fluxo Luminoso
			(Nom.)	cor correlacionada		
39948800	MASTER LED spot VLE DT 3.7-50W GU10 927 36D	36 °	2200 K		922-927	355 lm
39912900	MASTER LED spot VLE D 2.8-35W GU10 927 36D	36 °	2700 K		927	270 lm
39928000	MASTER LED spot VLE D 2.8-35W GU10 930 36D	36 °	3000 K		930	270 lm
39930300	MASTER LED spot VLE D 2.8-35W GU10 940 36D	36 °	4000 K		940	285 lm
39916700	MASTER LED spot VLE D 2.8-35W GU10 927 60D	60 °	2700 K		927	270 lm
39920400	MASTER LED spot VLE D 3.7-50W GU10 927 36D	36 °	2700 K		927	355 lm
39944000	MASTER LED spot VLE D 3.7-50W GU10 930 36D	36 °	3000 K		930	365 lm

## MASTER LEDspot MV

Order Code	Full Product Name	Ângulo do feixe (Nom.)	Temperatura de cor		
			cor correlacionada (Nom.)	Código da cor	Fluxo Luminoso
39946400	MASTER LED spot VLE D 3.7-50W GU10 940 36D	36 °	4000 K	940	380 lm
39934100	MASTER LED spot VLE D 3.7-50W GU10 927 60D	60 °	2700 K	927	355 lm
39936500	MASTER LED spot VLE D 3.7-50W GU10 930 60D	60 °	3000 K	930	365 lm
39938900	MASTER LED spot VLE D 3.7-50W GU10 940 60D	60 °	4000 K	940	370 lm

Order Code	Full Product Name	Ângulo do feixe (Nom.)	Temperatura de cor		
			cor correlacionada (Nom.)	Código da cor	Fluxo Luminoso
03829600	MASTER LED spot VLE D 650lm GU10 930 120D	120 °	3000 K	930	650 lm
03831900	MASTER LED spot VLE D 680lm GU10 940 120D	120 °	4000 K	940	680 lm
03833300	MASTER LED spot VLE D 680lm GU10 965 120D	120 °	6500 K	965	680 lm

### Caraterísticas técnicas da luz (2/2)

Order Code	Full Product Name	Intensidade luminosa (Nom.)
66271400	MASTER LED spot VLE DT 6.2-80W GU10 927 36D	950 cd
03821000	MASTER LED spot VLE DT 5.5-80W GU10 927 36D	950 cd
03835700	MASTER LED spot VLE D 5.5-80W GU10 927 36D	950 cd
03827200	MASTER LED spot VLE D 5.5-80W GU10 930 36D	1.000 cd
03823400	MASTER LED spot VLE D 5.5-80W GU10 940 36D	1.000 cd
03825800	MASTER LED spot VLE D 5.5-80W GU10 965 36D	1.000 cd
39914300	MASTER LED spot VLE DT 2.8-35W GU10 927 36D	550 cd
39948800	MASTER LED spot VLE DT 3.7-50W GU10 927 36D	700 cd
39912900	MASTER LED spot VLE D 2.8-35W GU10 927 36D	600 cd
39928000	MASTER LED spot VLE D 2.8-35W GU10 930 36D	600 cd
39930300	MASTER LED spot VLE D 2.8-35W GU10 940 36D	600 cd

Order Code	Full Product Name	Intensidade luminosa (Nom.)
39916700	MASTER LED spot VLE D 2.8-35W GU10 927 60D	300 cd
39920400	MASTER LED spot VLE D 3.7-50W GU10 927 36D	750 cd
39944000	MASTER LED spot VLE D 3.7-50W GU10 930 36D	750 cd
39946400	MASTER LED spot VLE D 3.7-50W GU10 940 36D	800 cd
39934100	MASTER LED spot VLE D 3.7-50W GU10 927 60D	400 cd
39936500	MASTER LED spot VLE D 3.7-50W GU10 930 60D	400 cd
39938900	MASTER LED spot VLE D 3.7-50W GU10 940 60D	420 cd
03829600	MASTER LED spot VLE D 650lm GU10 930 120D	220 cd
03831900	MASTER LED spot VLE D 680lm GU10 940 120D	220 cd
03833300	MASTER LED spot VLE D 680lm GU10 965 120D	220 cd

### Funcionamento e características elétricas

Order Code	Full Product Name	Frequência de linha	Consumo de Energia	Potência equivalente
66271400	MASTER LED spot VLE DT 6.2-80W GU10 927 36D	50 to 60 Hz	6,2 W	80 W
03821000	MASTER LED spot VLE DT 5.5-80W GU10 927 36D	-	5,5 W	80 W
03835700	MASTER LED spot VLE D 5.5-80W GU10 927 36D	-	5,5 W	80 W
03827200	MASTER LED spot VLE D 5.5-80W GU10 930 36D	-	5,5 W	80 W
03823400	MASTER LED spot VLE D 5.5-80W GU10 940 36D	-	5,5 W	80 W
03825800	MASTER LED spot VLE D 5.5-80W GU10 965 36D	-	5,5 W	80 W
39914300	MASTER LED spot VLE DT 2.8-35W GU10 927 36D	-	2,8 W	35 W

Order Code	Full Product Name	Frequência de linha	Consumo de Energia	Potência equivalente
39948800	MASTER LED spot VLE DT 3.7-50W GU10 927 36D	-	3,7 W	50 W
39912900	MASTER LED spot VLE D 2.8-35W GU10 927 36D	-	2,8 W	35 W
39928000	MASTER LED spot VLE D 2.8-35W GU10 930 36D	-	2,8 W	35 W
39930300	MASTER LED spot VLE D 2.8-35W GU10 940 36D	-	2,8 W	35 W
39916700	MASTER LED spot VLE D 2.8-35W GU10 927 60D	-	2,8 W	35 W
39920400	MASTER LED spot VLE D 3.7-50W GU10 927 36D	-	3,7 W	50 W
39944000	MASTER LED spot VLE D 3.7-50W GU10 930 36D	-	3,7 W	50 W

## MASTER LEDspot MV

Order Code	Full Product Name	Frequência de linha	Consumo de Energia	Potência equivalente
39946400	MASTER LED spot VLE D 3.7-50W GU10 940 36D	-	3,7 W	50 W
39934100	MASTER LED spot VLE D 3.7-50W GU10 927 60D	-	3,7 W	50 W
39936500	MASTER LED spot VLE D 3.7-50W GU10 930 60D	-	3,7 W	50 W
39938900	MASTER LED spot VLE D 3.7-50W GU10 940 60D	-	3,7 W	50 W

Order Code	Full Product Name	Frequência de linha	Consumo de Energia	Potência equivalente
03829600	MASTER LED spot VLE D 650lm GU10 930 120D	-	5,5 W	-
03831900	MASTER LED spot VLE D 680lm GU10 940 120D	-	5,5 W	-
03833300	MASTER LED spot VLE D 680lm GU10 965 120D	-	5,5 W	-

### Temperatura

Order Code	Full Product Name	T-máxima na caixa (Nom)
66271400	MASTER LED spot VLE DT 6.2-80W GU10 927 36D	75 °C
03821000	MASTER LED spot VLE DT 5.5-80W GU10 927 36D	66 °C
03835700	MASTER LED spot VLE D 5.5-80W GU10 927 36D	66 °C
03827200	MASTER LED spot VLE D 5.5-80W GU10 930 36D	66 °C
03823400	MASTER LED spot VLE D 5.5-80W GU10 940 36D	66 °C
03825800	MASTER LED spot VLE D 5.5-80W GU10 965 36D	66 °C
39914300	MASTER LED spot VLE DT 2.8-35W GU10 927 36D	52 °C
39948800	MASTER LED spot VLE DT 3.7-50W GU10 927 36D	60 °C
39912900	MASTER LED spot VLE D 2.8-35W GU10 927 36D	50 °C
39928000	MASTER LED spot VLE D 2.8-35W GU10 930 36D	50 °C
39930300	MASTER LED spot VLE D 2.8-35W GU10 940 36D	50 °C

Order Code	Full Product Name	T-máxima na caixa (Nom)
39916700	MASTER LED spot VLE D 2.8-35W GU10 927 60D	50 °C
39920400	MASTER LED spot VLE D 3.7-50W GU10 927 36D	66 °C
39944000	MASTER LED spot VLE D 3.7-50W GU10 930 36D	66 °C
39946400	MASTER LED spot VLE D 3.7-50W GU10 940 36D	66 °C
39934100	MASTER LED spot VLE D 3.7-50W GU10 927 60D	62 °C
39936500	MASTER LED spot VLE D 3.7-50W GU10 930 60D	62 °C
39938900	MASTER LED spot VLE D 3.7-50W GU10 940 60D	62 °C
03829600	MASTER LED spot VLE D 650lm GU10 930 120D	66 °C
03831900	MASTER LED spot VLE D 680lm GU10 940 120D	66 °C
03833300	MASTER LED spot VLE D 680lm GU10 965 120D	66 °C

### Características mecânicas e compartimento

Order Code	Full Product Name	Acabamento da lâmpada
66271400	MASTER LED spot VLE DT 6.2-80W GU10 927 36D	-
03821000	MASTER LED spot VLE DT 5.5-80W GU10 927 36D	Transparente
03835700	MASTER LED spot VLE D 5.5-80W GU10 927 36D	Transparente
03827200	MASTER LED spot VLE D 5.5-80W GU10 930 36D	Transparente
03823400	MASTER LED spot VLE D 5.5-80W GU10 940 36D	Transparente
03825800	MASTER LED spot VLE D 5.5-80W GU10 965 36D	Transparente
39914300	MASTER LED spot VLE DT 2.8-35W GU10 927 36D	Transparente
39948800	MASTER LED spot VLE DT 3.7-50W GU10 927 36D	Transparente
39912900	MASTER LED spot VLE D 2.8-35W GU10 927 36D	Transparente
39928000	MASTER LED spot VLE D 2.8-35W GU10 930 36D	Transparente
39930300	MASTER LED spot VLE D 2.8-35W GU10 940 36D	Transparente

Order Code	Full Product Name	Acabamento da lâmpada
39916700	MASTER LED spot VLE D 2.8-35W GU10 927 60D	Transparente
39920400	MASTER LED spot VLE D 3.7-50W GU10 927 36D	Transparente
39944000	MASTER LED spot VLE D 3.7-50W GU10 930 36D	Transparente
39946400	MASTER LED spot VLE D 3.7-50W GU10 940 36D	Transparente
39934100	MASTER LED spot VLE D 3.7-50W GU10 927 60D	Transparente
39936500	MASTER LED spot VLE D 3.7-50W GU10 930 60D	Transparente
39938900	MASTER LED spot VLE D 3.7-50W GU10 940 60D	Transparente
03829600	MASTER LED spot VLE D 650lm GU10 930 120D	Fosca
03831900	MASTER LED spot VLE D 680lm GU10 940 120D	Fosca
03833300	MASTER LED spot VLE D 680lm GU10 965 120D	Fosca

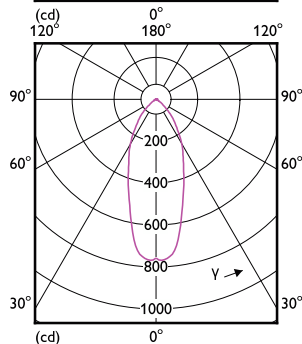
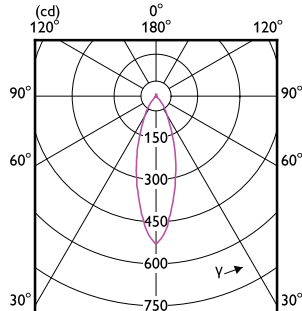
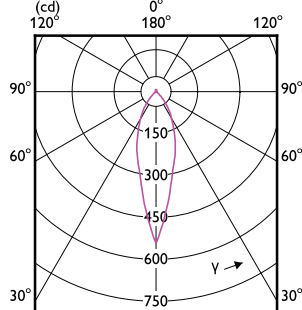
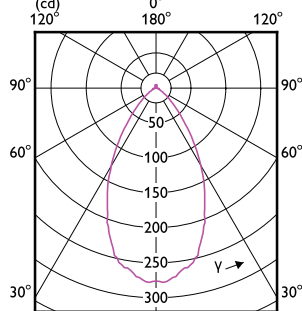
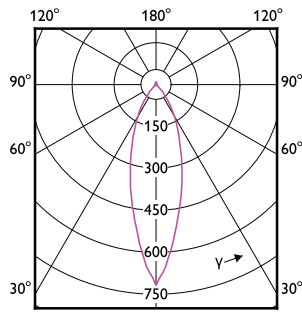
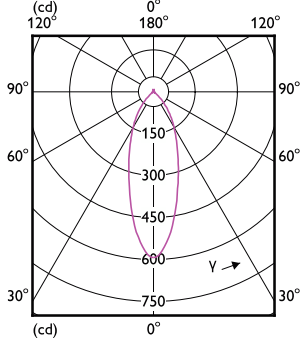
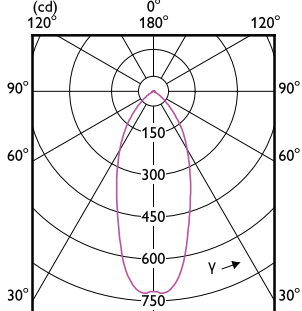
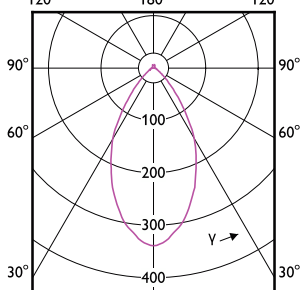
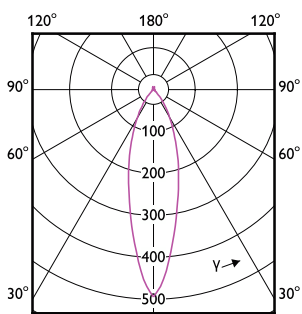
### Aprovação e aplicação

Order Code	Full Product Name	Consumo de energia kWh/1000 h
66271400	MASTER LED spot VLE DT 6.2-80W GU10 927 36D	7 kWh
03821000	MASTER LED spot VLE DT 5.5-80W GU10 927 36D	6 kWh
03835700	MASTER LED spot VLE D 5.5-80W GU10 927 36D	6 kWh
03827200	MASTER LED spot VLE D 5.5-80W GU10 930 36D	6 kWh
03823400	MASTER LED spot VLE D 5.5-80W GU10 940 36D	6 kWh

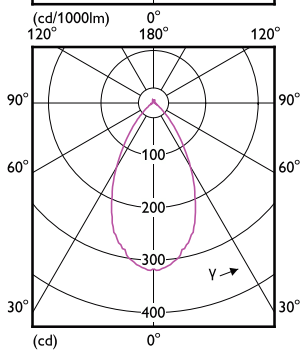
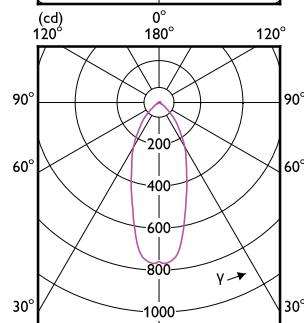
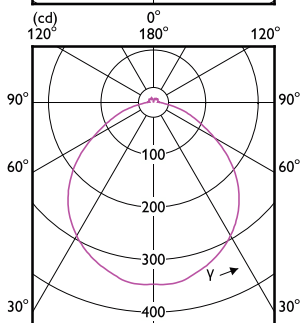
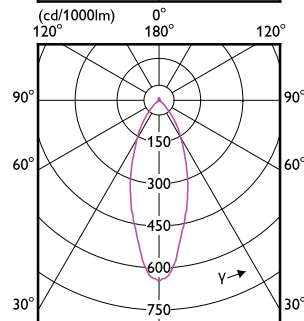
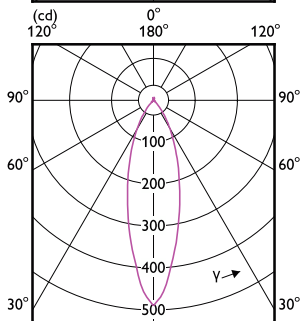
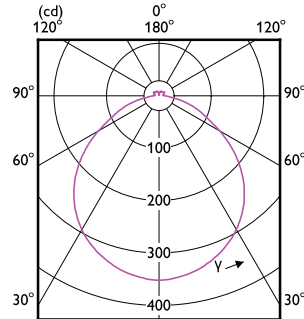
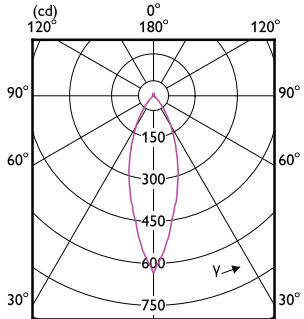
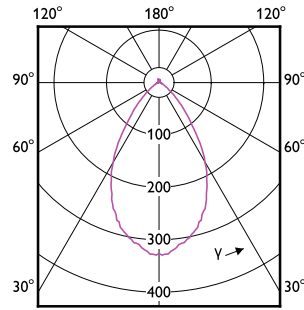
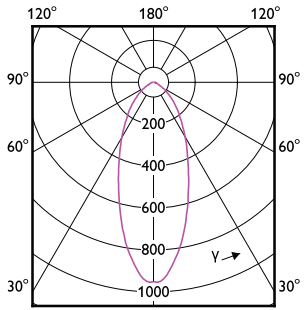
Order Code	Full Product Name	Consumo de energia kWh/1000 h
03825800	MASTER LED spot VLE D 5.5-80W GU10 965 36D	6 kWh
39914300	MASTER LED spot VLE DT 2.8-35W GU10 927 36D	3 kWh
39948800	MASTER LED spot VLE DT 3.7-50W GU10 927 36D	4 kWh
39912900	MASTER LED spot VLE D 2.8-35W GU10 927 36D	3 kWh
39928000	MASTER LED spot VLE D 2.8-35W GU10 930 36D	3 kWh

# MASTER LEDspot MV

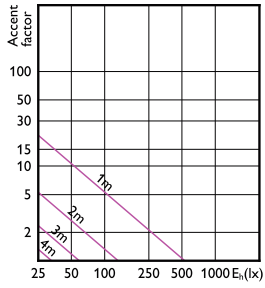
Order Code	Full Product Name	Consumo de energia kWh/1000 h
39930300	MASTER LED spot VLE D 2.8-35W GU10 940 36D	3 kWh
39916700	MASTER LED spot VLE D 2.8-35W GU10 927 60D	3 kWh
39920400	MASTER LED spot VLE D 3.7-50W GU10 927 36D	4 kWh
39944000	MASTER LED spot VLE D 3.7-50W GU10 930 36D	4 kWh
39946400	MASTER LED spot VLE D 3.7-50W GU10 940 36D	4 kWh
39934100	MASTER LED spot VLE D 3.7-50W GU10 927 60D	4 kWh
39936500	MASTER LED spot VLE D 3.7-50W GU10 930 60D	4 kWh
39938900	MASTER LED spot VLE D 3.7-50W GU10 940 60D	4 kWh
03829600	MASTER LED spot VLE D 650lm GU10 930 120D	6 kWh
03831900	MASTER LED spot VLE D 680lm GU10 940 120D	6 kWh
03833300	MASTER LED spot VLE D 680lm GU10 965 120D	6 kWh



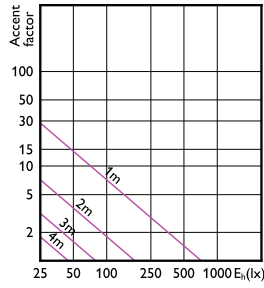
# MASTER LEDspot MV



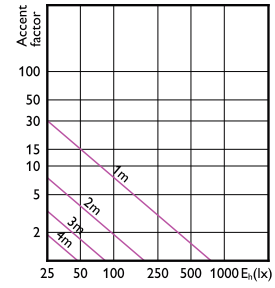
## Accent Diagrams



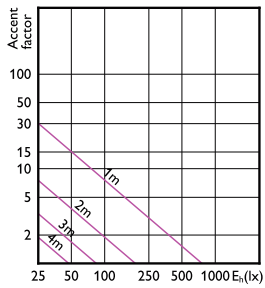
Accent Diagram - MAS LED spot VLE D 2.8-35W  
GU10 930 36D



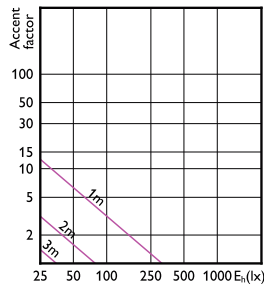
Accent Diagram - MAS LED spot VLE D 5.5-80W  
GU10 927 36D



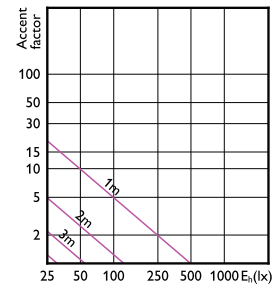
Accent Diagram - MAS LED spot VLE DT  
5.5-80W GU10 927 36D



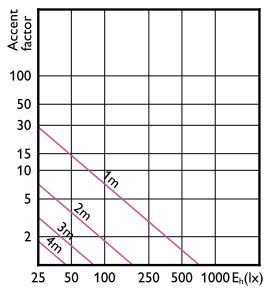
Accent Diagram - MAS LED spot VLE D 5.5-80W  
GU10 940 36D



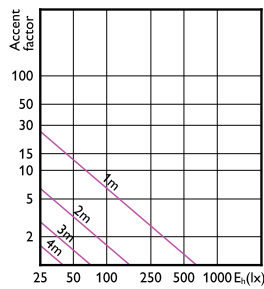
Accent Diagram - MAS LED spot VLE D 3.7-50W  
GU10 927 60D



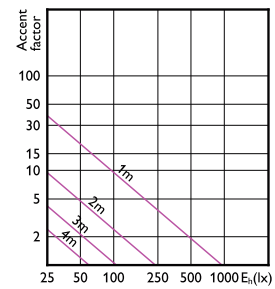
Accent Diagram - MAS LED spot VLE D 2.8-35W  
GU10 940 36D



Accent Diagram - MAS LED spot VLE D 3.7-50W  
GU10 940 36D

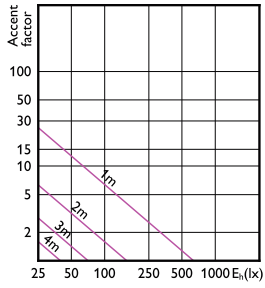


Accent Diagram - MAS LED spot VLE D 3.7-50W  
GU10 930 36D

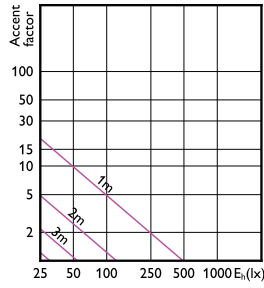


Accent Diagram - MAS LED spot VLE DT  
6.2-80W GU10 927 36D

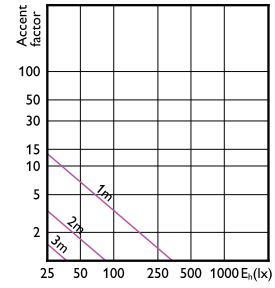
## Accent Diagrams



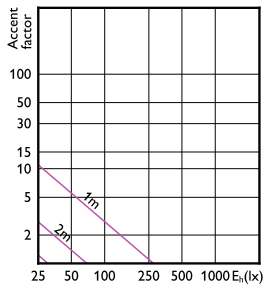
Accent Diagram - MAS LED spot VLE D 3.7-50W  
GU10 927 36D



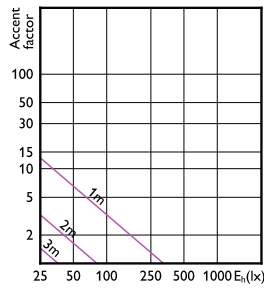
Accent Diagram - MAS LED spot VLE D 2.8-35W  
GU10 927 36D



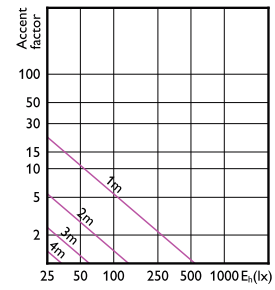
Accent Diagram - MAS LED spot VLE D 3.7-50W  
GU10 940 60D



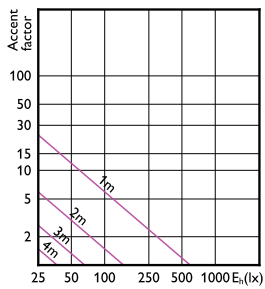
Accent Diagram - MAS LED spot VLE D 2.8-35W  
GU10 927 60D



Accent Diagram - MAS LED spot VLE D 3.7-50W  
GU10 930 60D

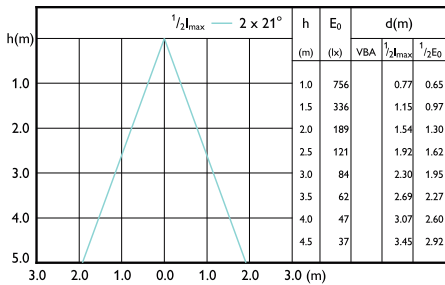


Accent Diagram - MAS LED spot VLE DT  
2.8-35W GU10 927 36D

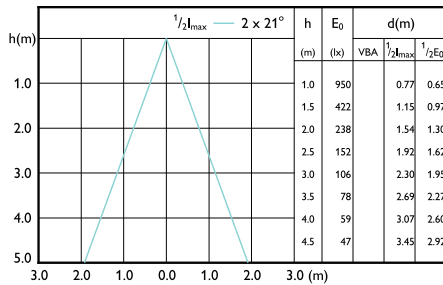


Accent Diagram - MAS LED spot VLE DT  
3.7-50W GU10 927 36D

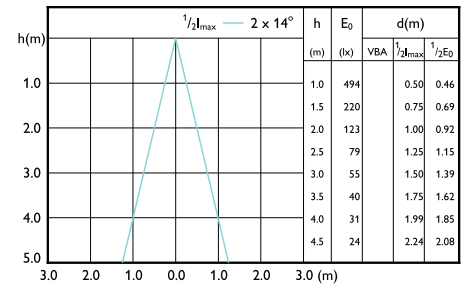
## Beam Diagrams



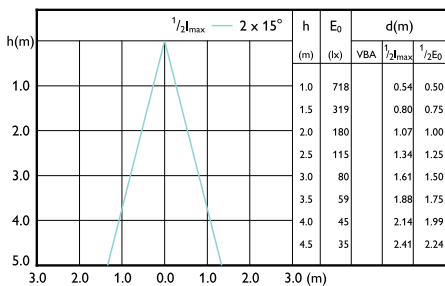
Beam diagram - MAS LED spot VLE DT 5.5-80W  
GU10 927 36D



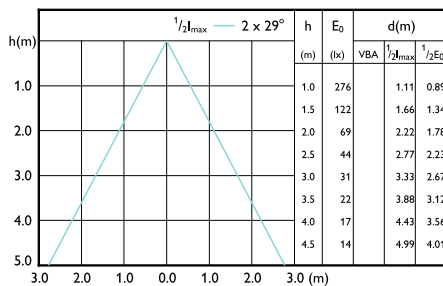
Beam diagram - MAS LED spot VLE DT 6.2-80W  
GU10 927 36D



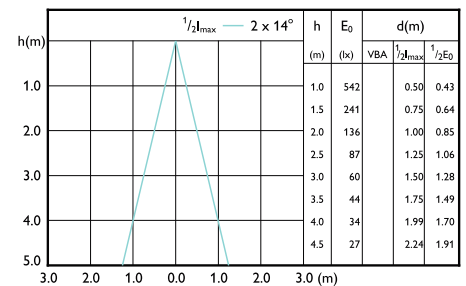
Beam diagram - MAS LED spot VLE D 2.8-35W  
GU10 940 36D



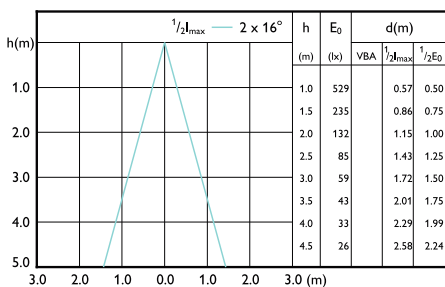
Beam diagram - MAS LED spot VLE D 3.7-50W  
GU10 940 36D



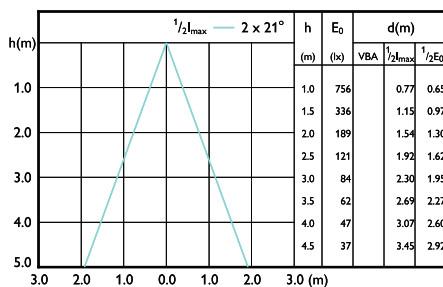
Beam diagram - MAS LED spot VLE D 2.8-35W  
GU10 927 60D



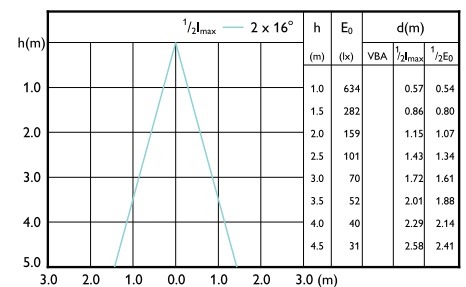
Beam diagram - MAS LED spot VLE DT 2.8-35W  
GU10 927 36D



Beam diagram - MAS LED spot VLE D 2.8-35W  
GU10 930 36D

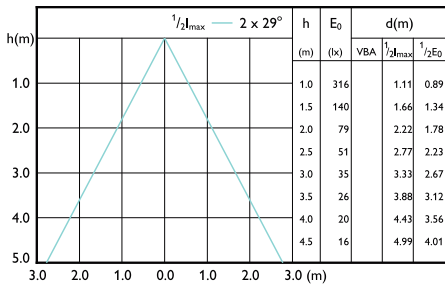


Beam diagram - MAS LED spot VLE D 5.5-80W  
GU10 940 36D

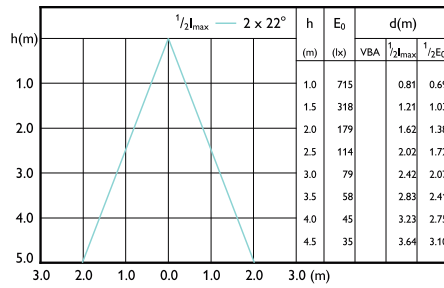


Beam diagram - MAS LED spot VLE D 3.7-50W  
GU10 927 36D

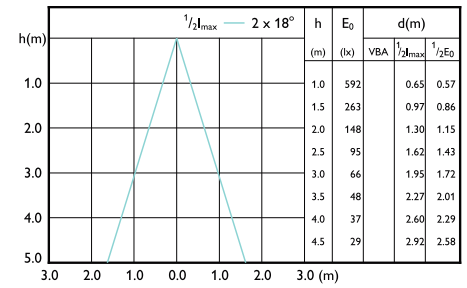
## Beam Diagrams



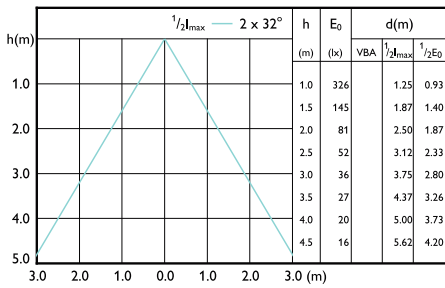
Beam diagram - MAS LED spot VLE D 3.7-50W  
GU10 927 60D



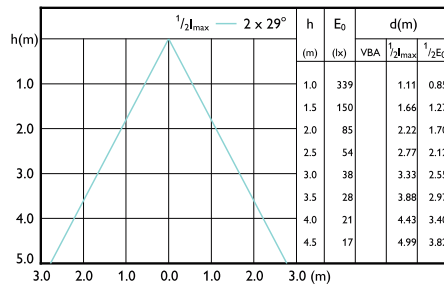
Beam diagram - MAS LED spot VLE D 5.5-80W  
GU10 927 36D



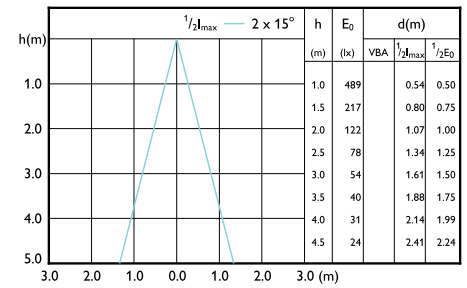
Beam diagram - MAS LED spot VLE DT 3.7-50W  
GU10 927 36D



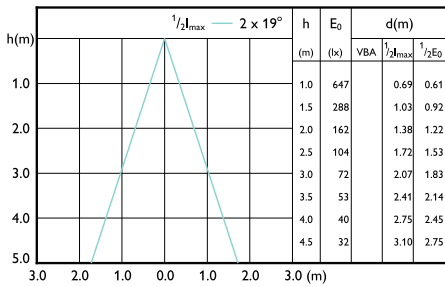
Beam diagram - MAS LED spot VLE D 3.7-50W  
GU10 930 60D



Beam diagram - MAS LED spot VLE D 3.7-50W  
GU10 940 60D



Beam diagram - MAS LED spot VLE D 2.8-35W  
GU10 927 36D



Beam diagram - MAS LED spot VLE D 3.7-50W  
GU10 930 36D

