



En optimal kombinasjon av verdi og ytelse, MASTER Value LEDspot MV passer perfekt for punktbelysning

MASTER VALUE LED-spot MV

MASTER LEDspot MV gir en halogenaktig lys ideell for spotbelysning (baner, korridorer, heisområder, lobbyer, utstillingsmontre og kabinetter) i servicesektoren. Den er spesielt godt egnet i fellesområder, for eksempel lobbyer, korridorer, og trappeoppganger, der lyset er på døgnet rundt. MASTER LEDspot MV gir store energibesparelser og minimaliserer vedlikeholdskostnadene uten å gå på bekostning av lysstyrken. Dette gjør det mulig for eiere i servicesektoren å spare inn investeringskostnadene i løpet av et år. MASTER LEDspot MV er kompatibel med de fleste armaturer på markedet med GU10-holderen og kan erstatte 35 og 50 W halogenlyskilder.

Fordeler

- Med MASTER VALUE spotlight opptil 80 % energibesparelse sammenlignet med halogenlamper
- Beste etterligning av halogenspotlight for å skape stemning
- Perfekt erstatning for tradisjonelle GU10-lamper

MASTER VALUE LED-spot MV

Funksjoner

- Dimmeområde
- Kompatibel med en rekke dimmere
- Patentert intelligent driver
- Levetid på 25 000 timer
- Den kjølige lyskjeglen uten UV eller IR er godt egnet for å belyse varmesensitive objekter (mat, organiske materialer, malerier og så videre).

Søknad

- Hotell- og restaurantnæringen
- Detaljhandel
- Boligområder

Warnings and safety

- Driftstemperatur mellom -20 C og 45 C
- Skal bare brukes i tørre eller fuktige omgivelser med nok plass rundt lyskilden (10 mm)

Versions



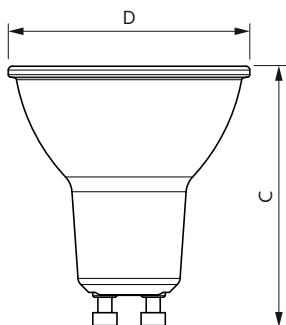
LEDspots 50W GU10 PAR16



LEDspots VLE D 650lm GU10 930 120D

MASTER VALUE LED-spot MV

Målskisse



Product	D	C
MAS LED spot VLE D 2.8-35W GU10 927 36D	50 mm	54 mm
MAS LED spot VLE D 2.8-35W GU10 927 60D	50 mm	54 mm
MAS LED spot VLE D 2.8-35W GU10 930 36D	50 mm	54 mm
MAS LED spot VLE D 2.8-35W GU10 940 36D	50 mm	54 mm
MAS LED spot VLE D 3.7-50W GU10 927 36D	50 mm	54 mm
MAS LED spot VLE D 3.7-50W GU10 927 60D	50 mm	54 mm
MAS LED spot VLE D 3.7-50W GU10 930 36D	50 mm	54 mm
MAS LED spot VLE D 3.7-50W GU10 930 60D	50 mm	54 mm
MAS LED spot VLE D 3.7-50W GU10 940 36D	50 mm	54 mm
MAS LED spot VLE D 3.7-50W GU10 940 60D	50 mm	54 mm
MAS LED spot VLE D 5.5-80W GU10 927 36D	50 mm	54 mm
MAS LED spot VLE D 5.5-80W GU10 930 36D	50 mm	54 mm
MAS LED spot VLE D 5.5-80W GU10 940 36D	50 mm	54 mm
MAS LED spot VLE D 5.5-80W GU10 965 36D	50 mm	54 mm
MAS LED spot VLE D 650lm GU10 930 120D	50 mm	55,5 mm
MAS LED spot VLE D 680lm GU10 940 120D	50 mm	55,5 mm
MAS LED spot VLE D 680lm GU10 965 120D	50 mm	55,5 mm
MAS LED spot VLE DT 2.8-35W GU10 927 36D	50 mm	54 mm
MAS LED spot VLE DT 3.7-50W GU10 927 36D	50 mm	54 mm
MAS LED spot VLE DT 5.5-80W GU10 927 36D	50 mm	54 mm
MAS LEDspot VLE D 3.7-50W GU10 92736D5CT	50 mm	54 mm
MAS LEDspot VLE D 3.7-50W GU10 93036D5CT	50 mm	54 mm

Generell informasjon

Sokkelbase	GU10
Nominell levetid	25 000 time(r)

Teknisk belysning

Fargegjengivelsesindeks (CRI)	90
Nominell vedlikeholdsfaktor for lyskildelumen ved utgangen av nominell levetid (nom.)	70 %

Drift og elektronikk

Inngangsfrekvens	50 til 60 Hz
Starttid (nom.)	0,5 s

Kontroller og dimming

Kan dimmes	Kun med bestemte dimmere
------------	--------------------------

Mekanikk og innfatning

Lyspæreoverflate	Matt
Lyspæreform	PAR16

Godkjenning og bruksområde

For omgivelsestemperaturer mellom	-20 til +45 °C
-----------------------------------	----------------

Generell informasjon

Order Code	Full Product Name	Brytersyklus
929004255702	MAS LED spot VLE DT 5.5-80W GU10 927 36D	50 000
929004255802	MAS LED spot VLE D 5.5-80W GU10 927 36D	50 000
929004255902	MAS LED spot VLE D 5.5-80W GU10 930 36D	50 000
929004256002	MAS LED spot VLE D 5.5-80W GU10 940 36D	50 000
929004256102	MAS LED spot VLE D 5.5-80W GU10 965 36D	50 000
929004247102	MAS LED spot VLE DT 2.8-35W GU10 927 36D	50 000
929004247202	MAS LED spot VLE DT 3.7-50W GU10 927 36D	50 000
929004247302	MAS LED spot VLE D 2.8-35W GU10 927 36D	50 000
929004247402	MAS LED spot VLE D 2.8-35W GU10 930 36D	50 000
929004247502	MAS LED spot VLE D 2.8-35W GU10 940 36D	50 000
929004247602	MAS LED spot VLE D 2.8-35W GU10 927 60D	50 000
929004247902	MAS LED spot VLE D 3.7-50W GU10 927 36D	50 000
929004248002	MAS LED spot VLE D 3.7-50W GU10 930 36D	50 000
929004248102	MAS LED spot VLE D 3.7-50W GU10 940 36D	50 000
929004248202	MAS LED spot VLE D 3.7-50W GU10 927 60D	25 000
929004248302	MAS LED spot VLE D 3.7-50W GU10 930 60D	25 000
929004248402	MAS LED spot VLE D 3.7-50W GU10 940 60D	25 000
929004247952	MAS LEDspot VLE D 3.7-50W GU10 92736D5CT	50 000
929004248052	MAS LEDspot VLE D 3.7-50W GU10 93036D5CT	50 000
929004256202	MAS LED spot VLE D 650lm GU10 930 120D	50 000
929004256302	MAS LED spot VLE D 680lm GU10 940 120D	50 000
929004256402	MAS LED spot VLE D 680lm GU10 965 120D	50 000

MASTER VALUE LED-spot MV

Teknisk belysning (1/2)

Order Code	Full	Spredningsvinkel (nom.)	Korrelert		Lysytelse	Order Code	Full	Spredningsvinkel (nom.)	Korrelert		Lysytelse
	Product Name		fargetemperatur (nom.)	Fargekode			Product Name		fargetemperatur (nom.)	Fargekode	
929004255702	MAS LED spot VLE DT 5.5-80W GU10 927 36D	36 grad(er)	2200 K	922-927	575 lm		GU10 940 36D				
929004255802	MAS LED spot VLE D 5.5-80W GU10 927 36D	36 grad(er)	2700 K	927	575 lm	929004247602	MAS LED spot VLE D 2.8-35W GU10 927 60D	60 grad(er)	2700 K	927	270 lm
929004255902	MAS LED spot VLE D 5.5-80W GU10 930 36D	36 grad(er)	3000 K	930	575 lm	929004247902	MAS LED spot VLE D 3.7-50W GU10 927 36D	36 grad(er)	2700 K	927	355 lm
929004256002	MAS LED spot VLE D 5.5-80W GU10 940 36D	36 grad(er)	4000 K	940	575 lm	929004248002	MAS LED spot VLE D 3.7-50W GU10 930 36D	36 grad(er)	3000 K	930	365 lm
929004256102	MAS LED spot VLE D 5.5-80W GU10 965 36D	36 grad(er)	6500 K	965	575 lm	929004248102	MAS LED spot VLE D 3.7-50W GU10 940 36D	36 grad(er)	4000 K	940	380 lm
929004247102	MAS LED spot VLE DT 2.8-35W GU10 927 36D	36 grad(er)	2200 K	922-927	280 lm	929004248202	MAS LED spot VLE D 3.7-50W GU10 927 60D	60 grad(er)	2700 K	927	355 lm
929004247202	MAS LED spot VLE DT 3.7-50W GU10 927 36D	36 grad(er)	2200 K	922-927	355 lm	929004248302	MAS LED spot VLE D 3.7-50W GU10 930 60D	60 grad(er)	3000 K	930	365 lm
929004247302	MAS LED spot VLE D 2.8-35W GU10 927 36D	36 grad(er)	2700 K	927	270 lm	929004248402	MAS LED spot VLE D 3.7-50W GU10 940 60D	60 grad(er)	4000 K	940	370 lm
929004247402	MAS LED spot VLE D 2.8-35W GU10 930 36D	36 grad(er)	3000 K	930	270 lm	929004247952	MAS LEDspot VLE D 3.7-50W GU10 92736D5CT	36 grad(er)	2700 K	927	355 lm
929004247502	MAS LED spot VLE D 2.8-35W	36 grad(er)	4000 K	940	285 lm	929004248052	MAS LEDspot VLE D 3.7-50W GU10 93036D5CT	36 grad(er)	3000 K	930	365 lm

MASTER VALUE LED-spot MV

Order Code	Full	Korrelert			Lysytelse
	Product Name	Spredningsvinkel (nom.)	fargetemperatur (nom.)	Fargekode	
929004256202	MAS LED spot VLE D 650lm GU10 930 120D	120 grad(er)	3000 K	930	650 lm
929004256302	MAS LED spot VLE D 680lm	120 grad(er)	4000 K	940	680 lm

Order Code	Full	Korrelert			Lysytelse
	Product Name	Spredningsvinkel (nom.)	fargetemperatur (nom.)	Fargekode	
929004256402	MAS LED spot VLE D 680lm GU10 965 120D	120 grad(er)	6500 K	965	680 lm

Teknisk belysning (2/2)

Order Code	Full Product Name	Lysintensitet (nom.)
929004255702	MAS LED spot VLE DT 5.5-80W GU10 927 36D	950 cd
929004255802	MAS LED spot VLE D 5.5-80W GU10 927 36D	950 cd
929004255902	MAS LED spot VLE D 5.5-80W GU10 930 36D	1 000 cd
929004256002	MAS LED spot VLE D 5.5-80W GU10 940 36D	1 000 cd
929004256102	MAS LED spot VLE D 5.5-80W GU10 965 36D	1 000 cd
929004247102	MAS LED spot VLE DT 2.8-35W GU10 927 36D	550 cd
929004247202	MAS LED spot VLE DT 3.7-50W GU10 927 36D	700 cd
929004247302	MAS LED spot VLE D 2.8-35W GU10 927 36D	600 cd
929004247402	MAS LED spot VLE D 2.8-35W GU10 930 36D	600 cd
929004247502	MAS LED spot VLE D 2.8-35W GU10 940 36D	600 cd
929004247602	MAS LED spot VLE D 2.8-35W GU10 927 60D	300 cd

Order Code	Full Product Name	Lysintensitet (nom.)
929004247902	MAS LED spot VLE D 3.7-50W GU10 927 36D	750 cd
929004248002	MAS LED spot VLE D 3.7-50W GU10 930 36D	750 cd
929004248102	MAS LED spot VLE D 3.7-50W GU10 940 36D	800 cd
929004248202	MAS LED spot VLE D 3.7-50W GU10 927 60D	400 cd
929004248302	MAS LED spot VLE D 3.7-50W GU10 930 60D	400 cd
929004248402	MAS LED spot VLE D 3.7-50W GU10 940 60D	420 cd
929004247952	MAS LEDspot VLE D 3.7-50W GU10 92736D5CT	750 cd
929004248052	MAS LEDspot VLE D 3.7-50W GU10 93036D5CT	750 cd
929004256202	MAS LED spot VLE D 650lm GU10 930 120D	220 cd
929004256302	MAS LED spot VLE D 680lm GU10 940 120D	220 cd
929004256402	MAS LED spot VLE D 680lm GU10 965 120D	220 cd

Drift og elektronikk

Order Code	Full Product Name	Effektforbruk	Effekten som tilsvarer
929004255702	MAS LED spot VLE DT 5.5-80W GU10 927 36D	5,5 W	80 W
929004255802	MAS LED spot VLE D 5.5-80W GU10 927 36D	5,5 W	80 W
929004255902	MAS LED spot VLE D 5.5-80W GU10 930 36D	5,5 W	80 W
929004256002	MAS LED spot VLE D 5.5-80W GU10 940 36D	5,5 W	80 W
929004256102	MAS LED spot VLE D 5.5-80W GU10 965 36D	5,5 W	80 W
929004247102	MAS LED spot VLE DT 2.8-35W GU10 927 36D	2,8 W	35 W
929004247202	MAS LED spot VLE DT 3.7-50W GU10 927 36D	3,7 W	50 W
929004247302	MAS LED spot VLE D 2.8-35W GU10 927 36D	2,8 W	35 W
929004247402	MAS LED spot VLE D 2.8-35W GU10 930 36D	2,8 W	35 W
929004247502	MAS LED spot VLE D 2.8-35W GU10 940 36D	2,8 W	35 W
929004247602	MAS LED spot VLE D 2.8-35W GU10 927 60D	2,8 W	35 W

Order Code	Full Product Name	Effektforbruk	Effekten som tilsvarer
929004247902	MAS LED spot VLE D 3.7-50W GU10 927 36D	3,7 W	50 W
929004248002	MAS LED spot VLE D 3.7-50W GU10 930 36D	3,7 W	50 W
929004248102	MAS LED spot VLE D 3.7-50W GU10 940 36D	3,7 W	50 W
929004248202	MAS LED spot VLE D 3.7-50W GU10 927 60D	3,7 W	50 W
929004248302	MAS LED spot VLE D 3.7-50W GU10 930 60D	3,7 W	50 W
929004248402	MAS LED spot VLE D 3.7-50W GU10 940 60D	3,7 W	50 W
929004247952	MAS LEDspot VLE D 3.7-50W GU10 92736D5CT	3,7 W	50 W
929004248052	MAS LEDspot VLE D 3.7-50W GU10 93036D5CT	3,7 W	50 W
929004256202	MAS LED spot VLE D 650lm GU10 930 120D	5,5 W	-
929004256302	MAS LED spot VLE D 680lm GU10 940 120D	5,5 W	-

MASTER VALUE LED-spot MV

Order Code	Full Product Name	Effektforbruk	Effekten som tilsvarer
929004256402	MAS LED spot VLE D 680lm GU10 965 120D	5,5 W	-

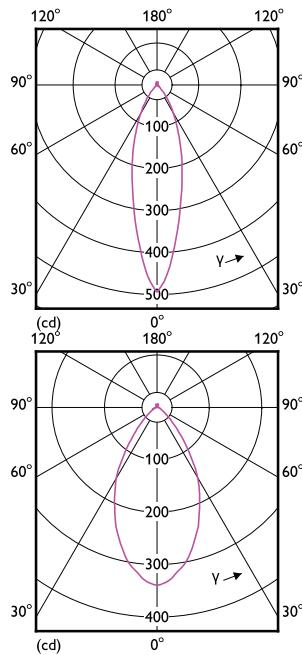
Temperatur

Order Code	Full Product Name	Maksimal temperatur for innfatningen (nom.)
929004255702	MAS LED spot VLE DT 5.5-80W GU10 927 36D	66 °C
929004255802	MAS LED spot VLE D 5.5-80W GU10 927 36D	66 °C
929004255902	MAS LED spot VLE D 5.5-80W GU10 930 36D	66 °C
929004256002	MAS LED spot VLE D 5.5-80W GU10 940 36D	66 °C
929004256102	MAS LED spot VLE D 5.5-80W GU10 965 36D	66 °C
929004247102	MAS LED spot VLE DT 2.8-35W GU10 927 36D	52 °C
929004247202	MAS LED spot VLE DT 3.7-50W GU10 927 36D	60 °C
929004247302	MAS LED spot VLE D 2.8-35W GU10 927 36D	50 °C
929004247402	MAS LED spot VLE D 2.8-35W GU10 930 36D	50 °C
929004247502	MAS LED spot VLE D 2.8-35W GU10 940 36D	50 °C
929004247602	MAS LED spot VLE D 2.8-35W GU10 927 60D	50 °C
929004247902	MAS LED spot VLE D 3.7-50W GU10 927 36D	66 °C

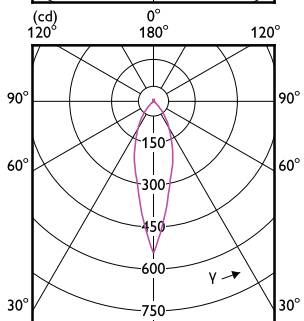
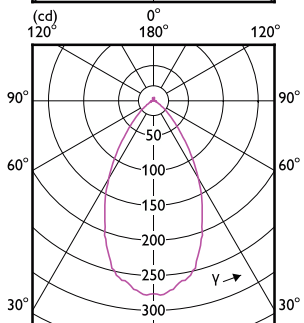
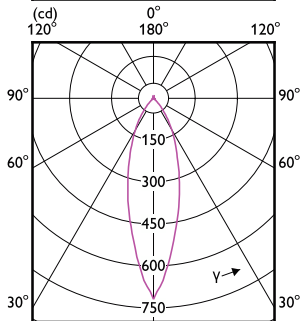
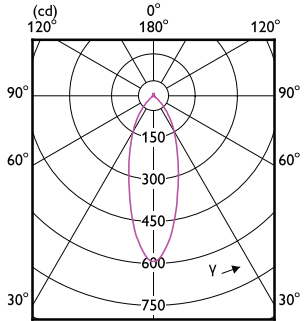
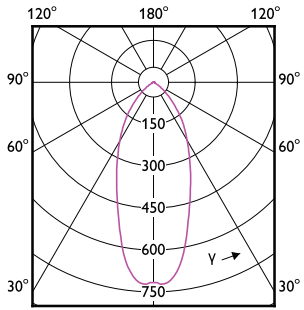
Order Code	Full Product Name	Maksimal temperatur for innfatningen (nom.)
929004248002	MAS LED spot VLE D 3.7-50W GU10 930 36D	66 °C
929004248102	MAS LED spot VLE D 3.7-50W GU10 940 36D	66 °C
929004248202	MAS LED spot VLE D 3.7-50W GU10 927 60D	62 °C
929004248302	MAS LED spot VLE D 3.7-50W GU10 930 60D	62 °C
929004248402	MAS LED spot VLE D 3.7-50W GU10 940 60D	62 °C
929004247952	MAS LEDspot VLE D 3.7-50W GU10 92736D5CT	66 °C
929004248052	MAS LEDspot VLE D 3.7-50W GU10 93036D5CT	66 °C
929004256202	MAS LED spot VLE D 650lm GU10 930 120D	66 °C
929004256302	MAS LED spot VLE D 680lm GU10 940 120D	66 °C
929004256402	MAS LED spot VLE D 680lm GU10 965 120D	66 °C

Godkjenning og bruksområde

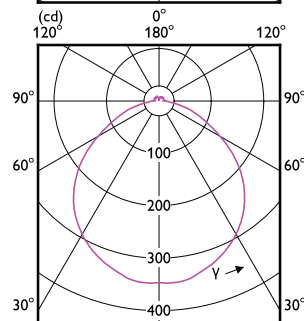
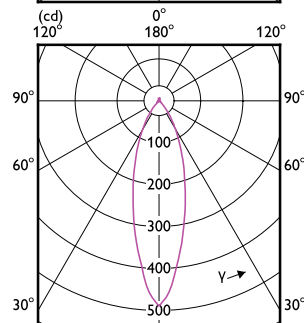
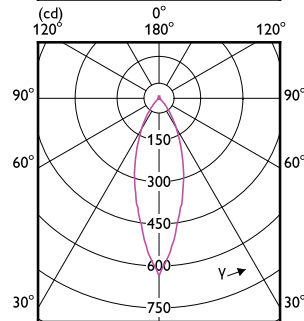
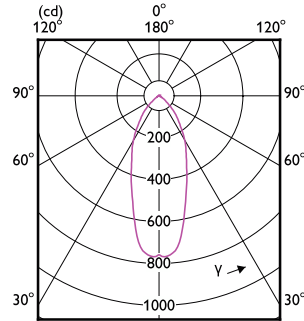
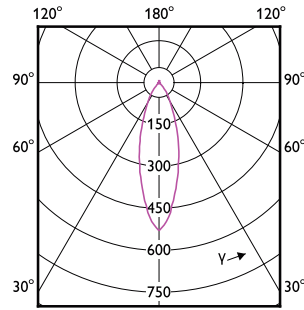
Order Code	Full Product Name	Energiforbruk kWh/1000 t
929004255702	MAS LED spot VLE DT 5.5-80W GU10 927 36D	6 kWh
929004255802	MAS LED spot VLE D 5.5-80W GU10 927 36D	6 kWh
929004255902	MAS LED spot VLE D 5.5-80W GU10 930 36D	6 kWh
929004256002	MAS LED spot VLE D 5.5-80W GU10 940 36D	6 kWh
929004256102	MAS LED spot VLE D 5.5-80W GU10 965 36D	6 kWh
929004247102	MAS LED spot VLE DT 2.8-35W GU10 927 36D	3 kWh
929004247202	MAS LED spot VLE DT 3.7-50W GU10 927 36D	4 kWh
929004247302	MAS LED spot VLE D 2.8-35W GU10 927 36D	3 kWh
929004247402	MAS LED spot VLE D 2.8-35W GU10 930 36D	3 kWh
929004247502	MAS LED spot VLE D 2.8-35W GU10 940 36D	3 kWh
929004247602	MAS LED spot VLE D 2.8-35W GU10 927 60D	3 kWh
929004247902	MAS LED spot VLE D 3.7-50W GU10 927 36D	4 kWh
929004248002	MAS LED spot VLE D 3.7-50W GU10 930 36D	4 kWh
929004248102	MAS LED spot VLE D 3.7-50W GU10 940 36D	4 kWh
929004248202	MAS LED spot VLE D 3.7-50W GU10 927 60D	4 kWh
929004248302	MAS LED spot VLE D 3.7-50W GU10 930 60D	4 kWh
929004248402	MAS LED spot VLE D 3.7-50W GU10 940 60D	4 kWh
929004247952	MAS LEDspot VLE D 3.7-50W GU10 92736D5CT	4 kWh
929004248052	MAS LEDspot VLE D 3.7-50W GU10 93036D5CT	4 kWh
929004256202	MAS LED spot VLE D 650lm GU10 930 120D	6 kWh
929004256302	MAS LED spot VLE D 680lm GU10 940 120D	6 kWh
929004256402	MAS LED spot VLE D 680lm GU10 965 120D	6 kWh



MASTER VALUE LED-spot MV

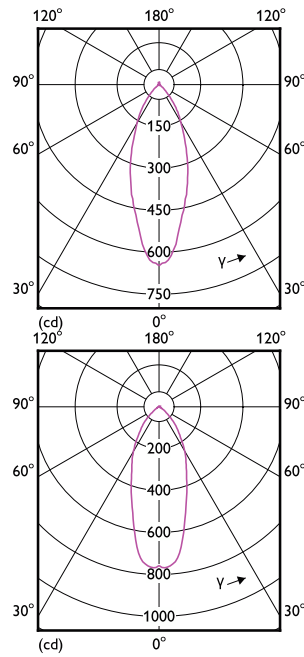
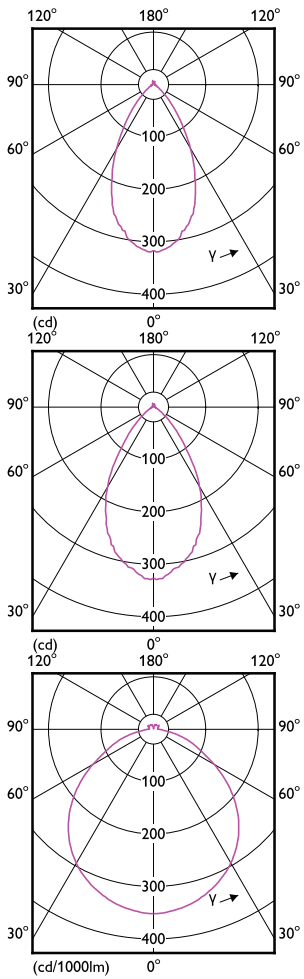


(cd) 0°

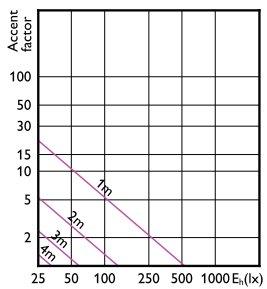


(cd/1000lm) 0°

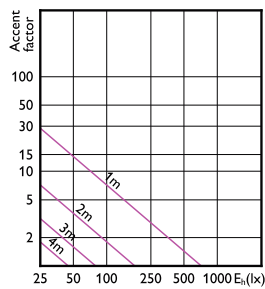
MASTER VALUE LED-spot MV



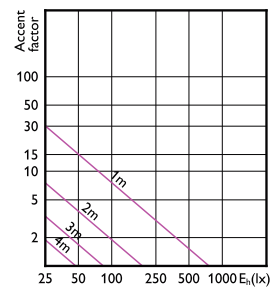
Accent Diagrams



Accent Diagram - MAS LED spot VLE D 2.8-35W
GU10 930 36D

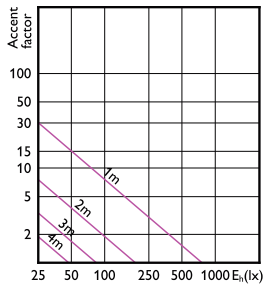


Accent Diagram - MAS LED spot VLE D 5.5-80W
GU10 927 36D

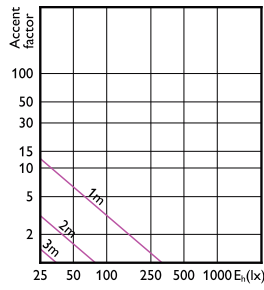


Accent Diagram - MAS LED spot VLE DT
5.5-80W GU10 927 36D

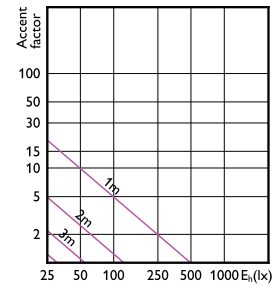
Accent Diagrams



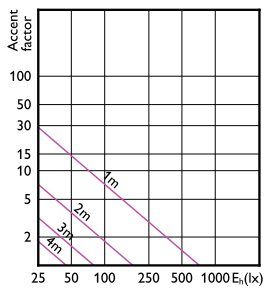
Accent Diagram - MAS LED spot VLE D 5.5-80W
GU10 940 36D



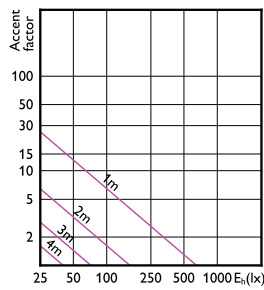
Accent Diagram - MAS LED spot VLE D 3.7-50W
GU10 927 60D



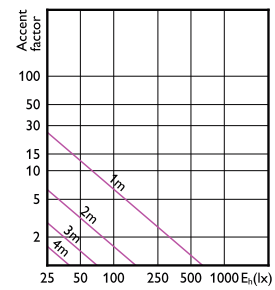
Accent Diagram - MAS LED spot VLE D 2.8-35W
GU10 940 36D



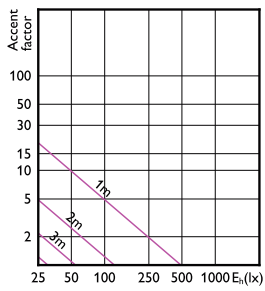
Accent Diagram - MAS LED spot VLE D 3.7-50W
GU10 940 36D



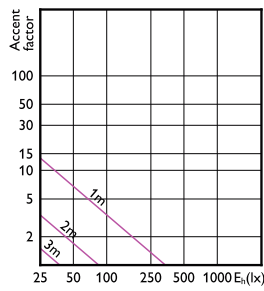
Accent Diagram - MAS LED spot VLE D 3.7-50W
GU10 930 36D



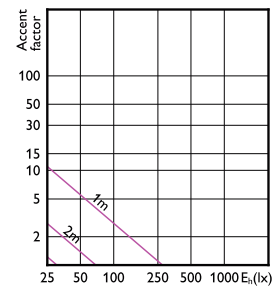
Accent Diagram - MAS LEDspot VLE D 3.7-50W
GU10 92736D5CT



Accent Diagram - MAS LED spot VLE D 2.8-35W
GU10 927 36D



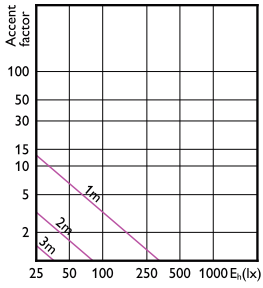
Accent Diagram - MAS LED spot VLE D 3.7-50W
GU10 940 60D



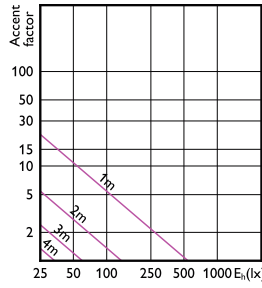
Accent Diagram - MAS LED spot VLE D 2.8-35W
GU10 927 60D

MASTER VALUE LED-spot MV

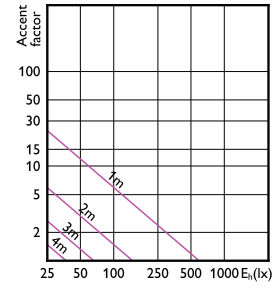
Accent Diagrams



Accent Diagram - MAS LED spot VLE D 3.7-50W GU10 930 60D

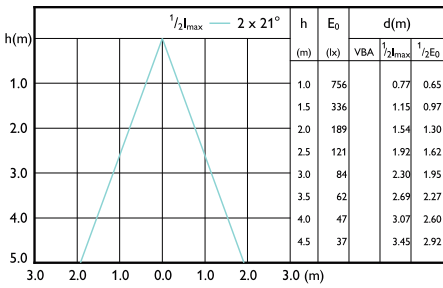


Accent Diagram - MAS LED spot VLE DT 2.8-35W GU10 927 36D

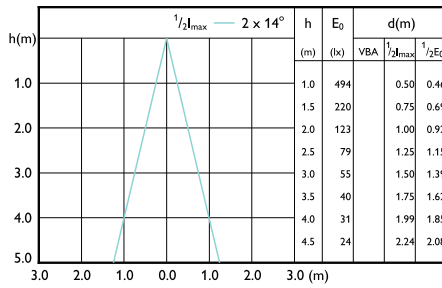


Accent Diagram - MAS LED spot VLE DT 3.7-50W GU10 927 36D

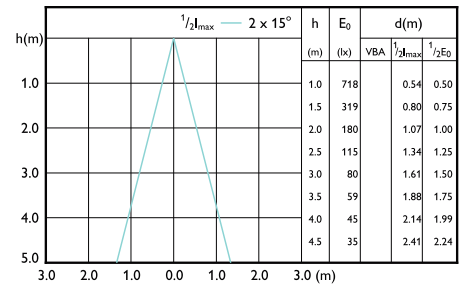
Beam Diagrams



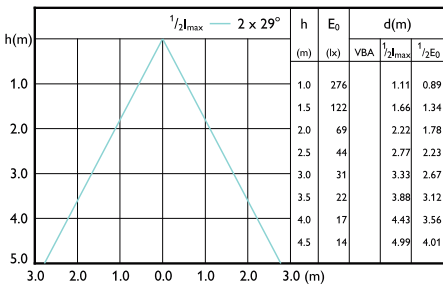
Beam diagram - MAS LED spot VLE DT 5.5-80W GU10 927 36D



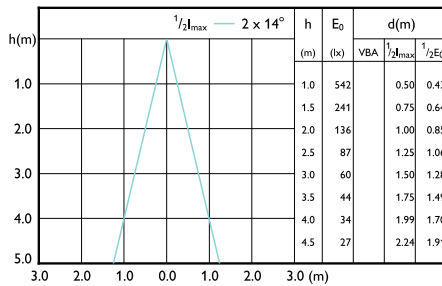
Beam diagram - MAS LED spot VLE D 2.8-35W GU10 940 36D



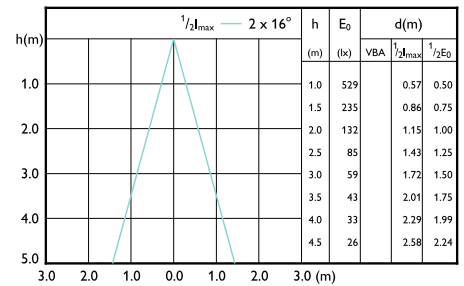
Beam diagram - MAS LED spot VLE D 3.7-50W GU10 940 36D



Beam diagram - MAS LED spot VLE D 2.8-35W GU10 927 60D

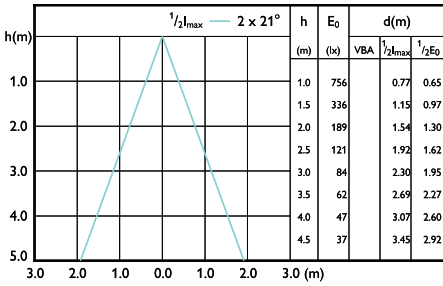


Beam diagram - MAS LED spot VLE DT 2.8-35W GU10 927 36D

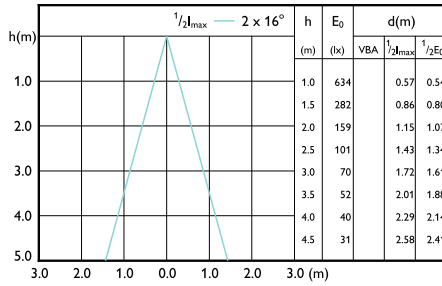


Beam diagram - MAS LED spot VLE D 2.8-35W GU10 930 36D

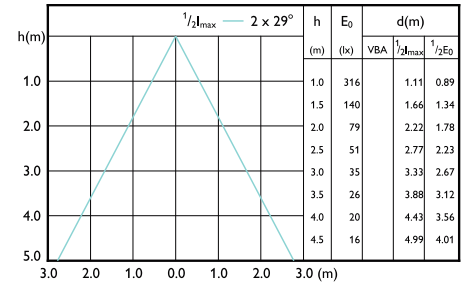
Beam Diagrams



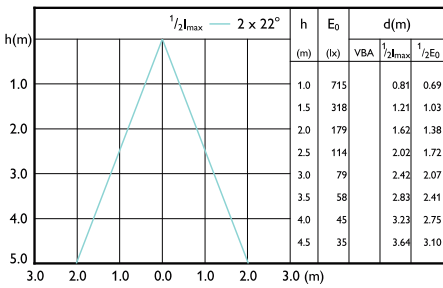
Beam diagram - MAS LED spot VLE D 5.5-80W
GU10 940 36D



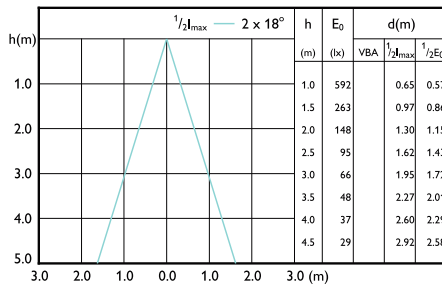
Beam diagram - MAS LEDspot VLE D 3.7-50W
GU10 92736D5CT



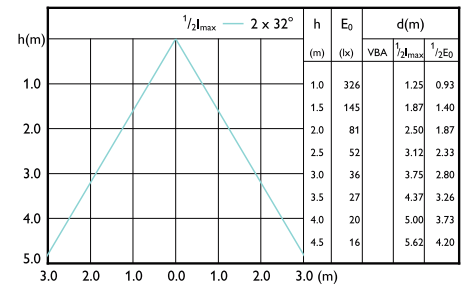
Beam diagram - MAS LED spot VLE D 3.7-50W
GU10 927 60D



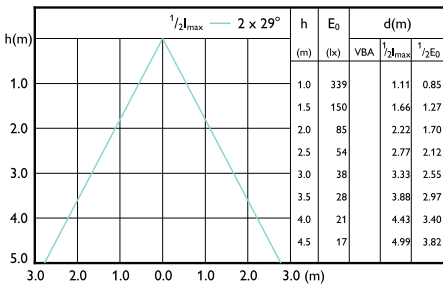
Beam diagram - MAS LED spot VLE D 5.5-80W
GU10 927 36D



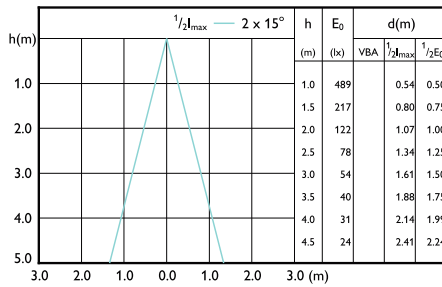
Beam diagram - MAS LED spot VLE DT 3.7-50W
GU10 927 36D



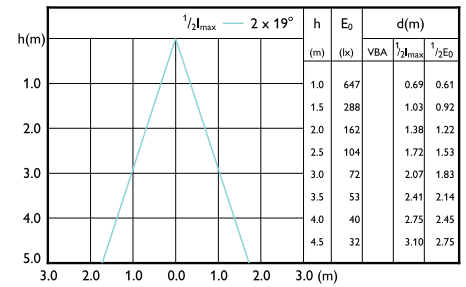
Beam diagram - MAS LED spot VLE D 3.7-50W
GU10 930 60D



Beam diagram - MAS LED spot VLE D 3.7-50W
GU10 940 60D



Beam diagram - MAS LED spot VLE D 2.8-35W
GU10 927 36D



Beam diagram - MAS LED spot VLE D 3.7-50W
GU10 930 36D

MASTER VALUE LED-spot MV

