



Philips Master Value LEDspot - De perfecte vervanger voor GU10 halogeenspots.

MASTER Value LEDspot MV - GU10

De MASTER VALUE geeft een warme, op halogeen lijkende accentlichtbundel en is daarom de perfecte lamp voor spotverlichting. Door de hoge CRI waarde kan deze lamp kleuren natuurlijker weergeven en zo een knusse en comfortabele sfeer creëren in woningen en horeca, maar ook artikelen in winkels uitlichten en verfraaien. De LEDspots MV GU10 hebben de vertrouwde uitstraling en klassieke schoonheid van een glazen spot in combinatie met de grote prestaties van LED-technologie. De dimfunctie maakt het mogelijk elke gewenste sfeer te creëren en werkt met een brede selectie dimmers. MASTER VALUE levert ook meer energiebesparingen op dan normale LEDspots.

Voordelen

- Met MASTER VALUE spots tot 80% energiebesparing vergeleken met halogeenlampen
- Beste nabootsing van een halogeenspot om sfeer te creëren
- Perfecte vervanging voor traditionele GU10-lampen

Kenmerken

- Dimbaar bereik
- Compatibel met een uitgebreide reeks dimmers
- Gepatenteerde intelligente driver
- Levensduur van 25.000 uur
- Geen UV- en geen IR-straling waardoor deze lamp geschikt is voor het verlichten van warmtegevoelige objecten (levensmiddelen, organische materialen, schilderijen, enz.)

MASTER Value LEDspot MV - GU10

Toepassing

- Hotels, cafés, restaurants
- Winkels
- Woningen

Waarschuwingen en veiligheid

- Geschikt voor toepassingen bij temperaturen tussen -20°C and 45°C.
- Geschikt voor binnengebruik en in armaturen waarbij de lamphouder voldoende vrije ruimte (10mm) heeft.
- Niet geschikt voor gebruik in noodverlichtingsarmaturen of armaturen voor verlichting van in- en uitgangen.

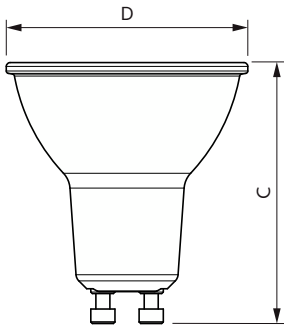
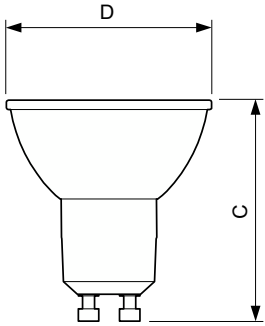
Versions



MASTER LEDspotMV 35W GU10 36D

MASTER Value LEDspot MV - GU10

Maatschets



| Product | D | C |
|---|-------|-------|
| MAS LED spot VLE D 3.7-35W GU10 940 60D | 50 mm | 54 mm |

| Product | D | C |
|--|-------|-------|
| MAS LED spot VLE D 2.8-35W GU10 927 36D | 50 mm | 54 mm |
| MAS LED spot VLE D 2.8-35W GU10 927 60D | 50 mm | 54 mm |
| MAS LED spot VLE D 2.8-35W GU10 930 36D | 50 mm | 54 mm |
| MAS LED spot VLE D 2.8-35W GU10 940 36D | 50 mm | 54 mm |
| MAS LED spot VLE D 3.7-50W GU10 927 36D | 50 mm | 54 mm |
| MAS LED spot VLE D 3.7-50W GU10 927 60D | 50 mm | 54 mm |
| MAS LED spot VLE D 3.7-50W GU10 930 36D | 50 mm | 54 mm |
| MAS LED spot VLE D 3.7-50W GU10 930 60D | 50 mm | 54 mm |
| MAS LED spot VLE D 3.7-50W GU10 940 36D | 50 mm | 54 mm |
| MAS LED spot VLE D 3.7-50W GU10 940 60D | 50 mm | 54 mm |
| MAS LED spot VLE D 5.5-80W GU10 927 36D | 50 mm | 54 mm |
| MAS LED spot VLE D 5.5-80W GU10 930 36D | 50 mm | 54 mm |
| MAS LED spot VLE D 5.5-80W GU10 940 36D | 50 mm | 54 mm |
| MAS LED spot VLE DT 2.8-35W GU10 927 36D | 50 mm | 54 mm |
| MAS LED spot VLE DT 3.7-50W GU10 927 36D | 50 mm | 54 mm |
| MAS LED spot VLE DT 5.5-80W GU10 927 36D | 50 mm | 54 mm |

Algemene informatie

| | |
|---------------------|-----------|
| Lampvoet | GU10 |
| Nominale levensduur | 25.000 hr |

Gegevens lichttechniek

| | |
|---|------|
| Kleurweergave-index (CRI) | 90 |
| LLMF bij einde nominale levensduur (nom.) | 70 % |

Bedrijfs- en elektrische gegevens

| | |
|--------------------|--------------|
| Ingangsfrequentie | 50 tot 60 Hz |
| Opstarttijd (nom.) | 0,5 s |

Dimbaarheid en regelsystemen

| | |
|---------|-------------------------------|
| Dimbaar | Alleen met specifieke dimmers |
|---------|-------------------------------|

Eigenschappen behuizing en afmetingen

| | |
|----------|-------|
| Lampvorm | PAR16 |
|----------|-------|

Algemene informatie

| Order Code | Full Product Name | Schakelcyclus |
|---------------|--|---------------|
| 8721103038210 | MAS LED spot VLE DT 5.5-80W GU10 927 36D | 50.000 |
| 8721103038357 | MAS LED spot VLE D 5.5-80W GU10 927 36D | 50.000 |
| 8721103038272 | MAS LED spot VLE D 5.5-80W GU10 930 36D | 50.000 |
| 8721103038234 | MAS LED spot VLE D 5.5-80W GU10 940 36D | 50.000 |
| 8718696707838 | MAS LED spot VLE D 3.7-35W GU10 940 60D | 50.000 |
| 8720169399143 | MAS LED spot VLE DT 2.8-35W GU10 927 36D | 50.000 |
| 8720169399488 | MAS LED spot VLE DT 3.7-50W GU10 927 36D | 50.000 |
| 8720169399129 | MAS LED spot VLE D 2.8-35W GU10 927 36D | 50.000 |
| 8720169399280 | MAS LED spot VLE D 2.8-35W GU10 930 36D | 50.000 |
| 8720169399303 | MAS LED spot VLE D 2.8-35W GU10 940 36D | 50.000 |
| 8720169399167 | MAS LED spot VLE D 2.8-35W GU10 927 60D | 50.000 |
| 8720169399204 | MAS LED spot VLE D 3.7-50W GU10 927 36D | 50.000 |
| 8720169399440 | MAS LED spot VLE D 3.7-50W GU10 930 36D | 50.000 |
| 8720169399464 | MAS LED spot VLE D 3.7-50W GU10 940 36D | 50.000 |
| 8720169399341 | MAS LED spot VLE D 3.7-50W GU10 927 60D | 25.000 |
| 8720169399365 | MAS LED spot VLE D 3.7-50W GU10 930 60D | 25.000 |
| 8720169399389 | MAS LED spot VLE D 3.7-50W GU10 940 60D | 25.000 |

MASTER Value LEDspot MV - GU10

Gegevens lichttechniek (1/2)

| Order Code | Full | Bundelhoek (nom.) | Gecorreleerde | | |
|---------------|---|----------------------|----------------------------|-----------|-------------|
| | Product Name | | kleurtemperatuur (nom.) | Kleurcode | Lichtstroom |
| 8721103038210 | MAS LED spot VLE DT 5.5-80W GU10 927 36D | 36 graden | 2200 K | 922-927 | 575 lm |
| 8721103038357 | MAS LED spot VLE D 5.5-80W GU10 927 36D | 36 graden | 2700 K | 927 | 575 lm |
| 8721103038272 | MAS LED spot VLE D 5.5-80W GU10 930 36D | 36 graden | 3000 K | 930 | 575 lm |
| 8721103038234 | MAS LED spot VLE D 5.5-80W GU10 940 36D | 36 graden | 4000 K | 940 | 575 lm |
| 8718696707838 | MAS LED spot VLE D 3.7-35W GU10 940 60D | 60 graden | 4000 K | 940 | 285 lm |
| 8720169399143 | MAS LED spot VLE DT 2.8-35W GU10 927 36D | 36 graden | 2200 K | 922-927 | 280 lm |
| 8720169399488 | MAS LED spot VLE DT 3.7-50W GU10 927 36D | 36 graden | 2200 K | 922-927 | 355 lm |
| 8720169399129 | MAS LED spot VLE D 2.8-35W GU10 927 36D | 36 graden | 2700 K | 927 | 270 lm |
| 8720169399280 | MAS LED spot VLE D | 36 graden | 3000 K | 930 | 270 lm |

| Order Code | Full | Bundelhoek (nom.) | Gecorreleerde | | |
|---------------|---|----------------------|----------------------------|-----------|-------------|
| | Product Name | | kleurtemperatuur (nom.) | Kleurcode | Lichtstroom |
| | 2.8-35W GU10 930 36D | | | | |
| 8720169399303 | MAS LED spot VLE D 2.8-35W GU10 940 36D | 36 graden | 4000 K | 940 | 285 lm |
| 8720169399167 | MAS LED spot VLE D 2.8-35W GU10 927 60D | 60 graden | 2700 K | 927 | 270 lm |
| 8720169399204 | MAS LED spot VLE D 3.7-50W GU10 927 36D | 36 graden | 2700 K | 927 | 355 lm |
| 8720169399440 | MAS LED spot VLE D 3.7-50W GU10 930 36D | 36 graden | 3000 K | 930 | 365 lm |
| 8720169399464 | MAS LED spot VLE D 3.7-50W GU10 940 36D | 36 graden | 4000 K | 940 | 380 lm |
| 8720169399341 | MAS LED spot VLE D 3.7-50W GU10 927 60D | 60 graden | 2700 K | 927 | 355 lm |
| 8720169399365 | MAS LED spot VLE D 3.7-50W GU10 930 60D | 60 graden | 3000 K | 930 | 365 lm |
| 8720169399389 | MAS LED spot VLE D 3.7-50W GU10 940 60D | 60 graden | 4000 K | 940 | 370 lm |

Gegevens lichttechniek (2/2)

MASTER Value LEDspot MV - GU10

| Order Code | Full Product Name | Lichtsterkte (nom.) |
|---------------|--|---------------------|
| 8721103038210 | MAS LED spot VLE DT 5.5-80W GU10 927 36D | 950 cd |
| 8721103038357 | MAS LED spot VLE D 5.5-80W GU10 927 36D | 950 cd |
| 8721103038272 | MAS LED spot VLE D 5.5-80W GU10 930 36D | 1.000 cd |
| 8721103038234 | MAS LED spot VLE D 5.5-80W GU10 940 36D | 1.000 cd |
| 8718696707838 | MAS LED spot VLE D 3.7-35W GU10 940 60D | 350 cd |
| 8720169399143 | MAS LED spot VLE DT 2.8-35W GU10 927 36D | 550 cd |
| 8720169399488 | MAS LED spot VLE DT 3.7-50W GU10 927 36D | 700 cd |
| 8720169399129 | MAS LED spot VLE D 2.8-35W GU10 927 36D | 600 cd |
| 8720169399280 | MAS LED spot VLE D 2.8-35W GU10 930 36D | 600 cd |

| Order Code | Full Product Name | Lichtsterkte (nom.) |
|---------------|---|---------------------|
| 8720169399303 | MAS LED spot VLE D 2.8-35W GU10 940 36D | 600 cd |
| 8720169399167 | MAS LED spot VLE D 2.8-35W GU10 927 60D | 300 cd |
| 8720169399204 | MAS LED spot VLE D 3.7-50W GU10 927 36D | 750 cd |
| 8720169399440 | MAS LED spot VLE D 3.7-50W GU10 930 36D | 750 cd |
| 8720169399464 | MAS LED spot VLE D 3.7-50W GU10 940 36D | 800 cd |
| 8720169399341 | MAS LED spot VLE D 3.7-50W GU10 927 60D | 400 cd |
| 8720169399365 | MAS LED spot VLE D 3.7-50W GU10 930 60D | 400 cd |
| 8720169399389 | MAS LED spot VLE D 3.7-50W GU10 940 60D | 420 cd |

Bedrijfs- en elektrische gegevens

| Order Code | Full Product | | | Overeenkomstig vermogen |
|---------------|--|-------------------|-----------------|-------------------------|
| | Name | Ingangsfrequentie | Energieverbruik | |
| 8721103038210 | MAS LED spot VLE DT 5.5-80W GU10 927 36D | - | 5,5 W | 80 W |
| 8721103038357 | MAS LED spot VLE D 5.5-80W GU10 927 36D | - | 5,5 W | 80 W |
| 8721103038272 | MAS LED spot VLE D 5.5-80W GU10 930 36D | - | 5,5 W | 80 W |
| 8721103038234 | MAS LED spot VLE D 5.5-80W GU10 940 36D | - | 5,5 W | 80 W |
| 8718696707838 | MAS LED spot VLE D 3.7-35W GU10 940 60D | 50 to 60 Hz | 3,7 W | 35 W |
| 8720169399143 | MAS LED spot VLE DT 2.8-35W GU10 927 36D | - | 2,8 W | 35 W |
| 8720169399488 | MAS LED spot VLE DT 3.7-50W GU10 927 36D | - | 3,7 W | 50 W |
| 8720169399129 | MAS LED spot VLE D 2.8-35W | - | 2,8 W | 35 W |

| Order Code | Full Product | | | Overeenkomstig vermogen |
|---------------|---|-------------------|-----------------|-------------------------|
| | Name | Ingangsfrequentie | Energieverbruik | |
| | GU10 927 36D | | | |
| 8720169399280 | MAS LED spot VLE D 2.8-35W GU10 930 36D | - | 2,8 W | 35 W |
| 8720169399303 | MAS LED spot VLE D 2.8-35W GU10 940 36D | - | 2,8 W | 35 W |
| 8720169399167 | MAS LED spot VLE D 2.8-35W GU10 927 60D | - | 2,8 W | 35 W |
| 8720169399204 | MAS LED spot VLE D 3.7-50W GU10 927 36D | - | 3,7 W | 50 W |
| 8720169399440 | MAS LED spot VLE D 3.7-50W GU10 930 36D | - | 3,7 W | 50 W |
| 8720169399464 | MAS LED spot VLE D 3.7-50W GU10 940 36D | - | 3,7 W | 50 W |
| 8720169399341 | MAS LED spot VLE D 3.7-50W GU10 927 60D | - | 3,7 W | 50 W |

MASTER Value LEDspot MV - GU10

| Order Code | Full Product Name | Ingangsfrequentie | Energieverbruik | Overeenkomstig vermogen |
|---------------|---|-------------------|-----------------|-------------------------|
| 8720169399365 | MAS LED spot VLE D 3.7-50W GU10 930 60D | - | 3,7 W | 50 W |
| 8720169399389 | MAS LED spot VLE D 3.7-50W GU10 927 36D | - | 3,7 W | 50 W |

| Order Code | Full Product Name | Ingangsfrequentie | Energieverbruik | Overeenkomstig vermogen |
|------------|---|-------------------|-----------------|-------------------------|
| | MAS LED spot VLE D 2.8-35W GU10 940 36D | | | 3.7-50W |
| | MAS LED spot VLE D 2.8-35W GU10 927 60D | | | GU10 940 |
| | MAS LED spot VLE D 3.7-50W GU10 927 36D | | | 60D |

Operationele temperatuur

| Order Code | Full Product Name | T-behuizing maximaal (nom.) |
|---------------|--|-----------------------------|
| 8721103038210 | MAS LED spot VLE DT 5.5-80W GU10 927 36D | 66 °C |
| 8721103038357 | MAS LED spot VLE D 5.5-80W GU10 927 36D | 66 °C |
| 8721103038272 | MAS LED spot VLE D 5.5-80W GU10 930 36D | 66 °C |
| 8721103038234 | MAS LED spot VLE D 5.5-80W GU10 940 36D | 66 °C |
| 8718696707838 | MAS LED spot VLE D 3.7-35W GU10 940 60D | 80 °C |
| 8720169399143 | MAS LED spot VLE DT 2.8-35W GU10 927 36D | 52 °C |
| 8720169399488 | MAS LED spot VLE DT 3.7-50W GU10 927 36D | 60 °C |
| 8720169399129 | MAS LED spot VLE D 2.8-35W GU10 927 36D | 50 °C |
| 8720169399280 | MAS LED spot VLE D 2.8-35W GU10 930 36D | 50 °C |

| Order Code | Full Product Name | T-behuizing maximaal (nom.) |
|---------------|---|-----------------------------|
| 8720169399303 | MAS LED spot VLE D 2.8-35W GU10 940 36D | 50 °C |
| 8720169399167 | MAS LED spot VLE D 2.8-35W GU10 927 60D | 50 °C |
| 8720169399204 | MAS LED spot VLE D 3.7-50W GU10 927 36D | 66 °C |
| 8720169399440 | MAS LED spot VLE D 3.7-50W GU10 930 36D | 66 °C |
| 8720169399464 | MAS LED spot VLE D 3.7-50W GU10 940 36D | 66 °C |
| 8720169399341 | MAS LED spot VLE D 3.7-50W GU10 927 60D | 62 °C |
| 8720169399365 | MAS LED spot VLE D 3.7-50W GU10 930 60D | 62 °C |
| 8720169399389 | MAS LED spot VLE D 3.7-50W GU10 940 60D | 62 °C |

Eigenschappen behuizing en afmetingen

| Order Code | Full Product Name | Lampafwerking |
|---------------|--|---------------|
| 8721103038210 | MAS LED spot VLE DT 5.5-80W GU10 927 36D | Helder |
| 8721103038357 | MAS LED spot VLE D 5.5-80W GU10 927 36D | Helder |
| 8721103038272 | MAS LED spot VLE D 5.5-80W GU10 930 36D | Helder |
| 8721103038234 | MAS LED spot VLE D 5.5-80W GU10 940 36D | Helder |
| 8718696707838 | MAS LED spot VLE D 3.7-35W GU10 940 60D | - |
| 8720169399143 | MAS LED spot VLE DT 2.8-35W GU10 927 36D | Helder |
| 8720169399488 | MAS LED spot VLE DT 3.7-50W GU10 927 36D | Helder |
| 8720169399129 | MAS LED spot VLE D 2.8-35W GU10 927 36D | Helder |
| 8720169399280 | MAS LED spot VLE D 2.8-35W GU10 930 36D | Helder |

| Order Code | Full Product Name | Lampafwerking |
|---------------|---|---------------|
| 8720169399303 | MAS LED spot VLE D 2.8-35W GU10 940 36D | Helder |
| 8720169399167 | MAS LED spot VLE D 2.8-35W GU10 927 60D | Helder |
| 8720169399204 | MAS LED spot VLE D 3.7-50W GU10 927 36D | Helder |
| 8720169399440 | MAS LED spot VLE D 3.7-50W GU10 930 36D | Helder |
| 8720169399464 | MAS LED spot VLE D 3.7-50W GU10 940 36D | Helder |
| 8720169399341 | MAS LED spot VLE D 3.7-50W GU10 927 60D | Helder |
| 8720169399365 | MAS LED spot VLE D 3.7-50W GU10 930 60D | Helder |
| 8720169399389 | MAS LED spot VLE D 3.7-50W GU10 940 60D | Helder |

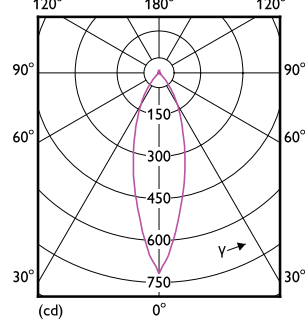
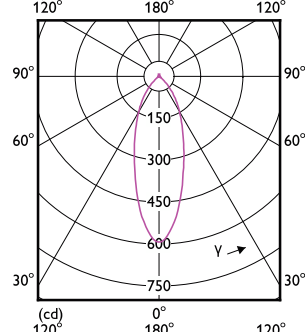
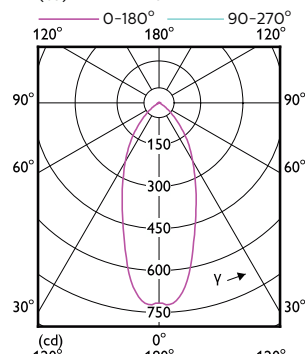
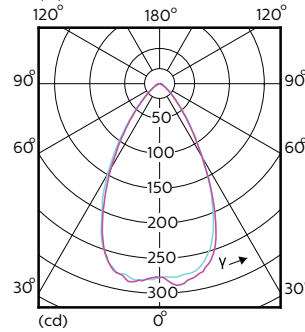
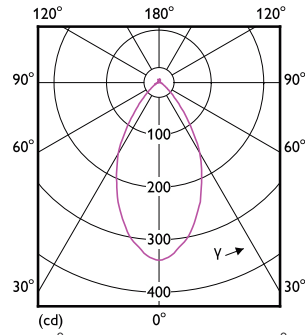
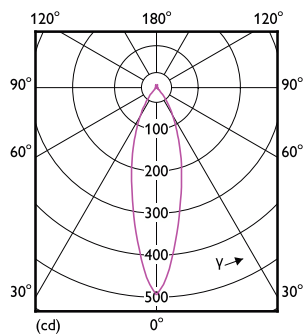
Keurmerken en classificaties

| Order Code | Full Product Name | Bereik omgevingstemperatuur | Energieverbruik kWh/1.000 uur |
|---------------|--|-----------------------------|-------------------------------|
| 8721103038210 | MAS LED spot VLE DT 5.5-80W GU10 927 36D | -20 tot +45 °C | 6 kWh |
| 8721103038357 | MAS LED spot VLE D 5.5-80W GU10 927 36D | -20 tot +45 °C | 6 kWh |
| 8721103038272 | MAS LED spot VLE D 5.5-80W GU10 930 36D | -20 tot +45 °C | 6 kWh |

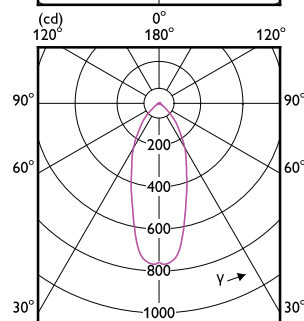
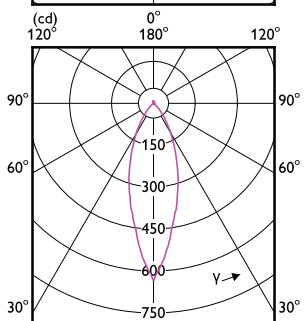
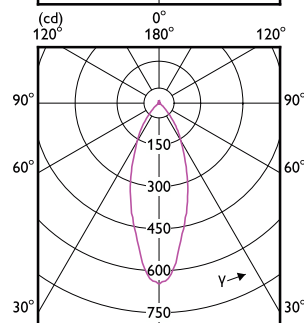
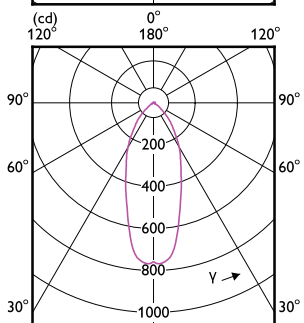
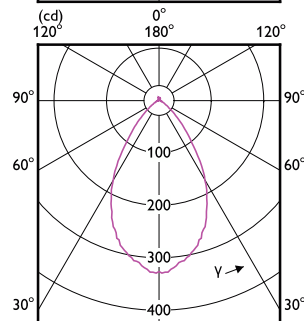
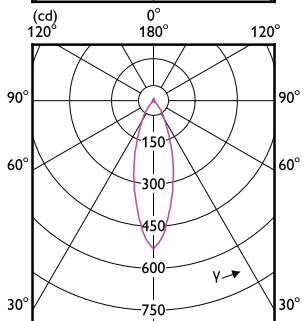
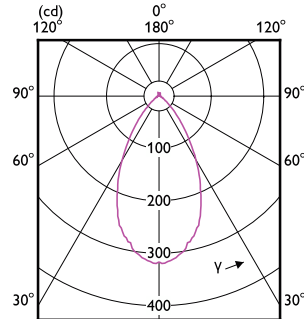
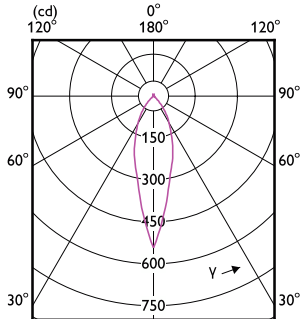
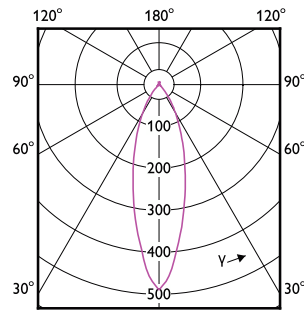
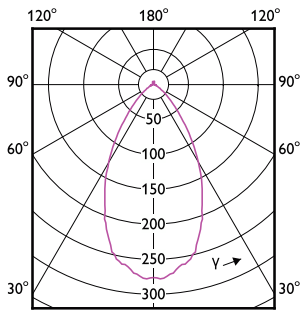
| Order Code | Full Product Name | Bereik omgevingstemperatuur | Energieverbruik kWh/1.000 uur |
|---------------|--|-----------------------------|-------------------------------|
| 8721103038234 | MAS LED spot VLE D 5.5-80W GU10 940 36D | -20 tot +45 °C | 6 kWh |
| 8718696707838 | MAS LED spot VLE D 3.7-35W GU10 940 60D | - | 4 kWh |
| 8720169399143 | MAS LED spot VLE DT 2.8-35W GU10 927 36D | -20 tot +45 °C | 3 kWh |

MASTER Value LEDspot MV - GU10

| Order Code | Full Product Name | Bereik omgevingstemperatuur | Energieverbruik kWh/1.000 uur |
|---------------|--|--------------------------------|----------------------------------|
| 8720169399488 | MAS LED spot VLE DT 3.7-50W GU10 927 36D | -20 tot +45 °C | 4 kWh |
| 8720169399129 | MAS LED spot VLE D 2.8-35W GU10 927 36D | -20 tot +45 °C | 3 kWh |
| 8720169399280 | MAS LED spot VLE D 2.8-35W GU10 930 36D | -20 tot +45 °C | 3 kWh |
| 8720169399303 | MAS LED spot VLE D 2.8-35W GU10 940 36D | -20 tot +45 °C | 3 kWh |
| 8720169399167 | MAS LED spot VLE D 2.8-35W GU10 927 60D | -20 tot +45 °C | 3 kWh |
| 8720169399204 | MAS LED spot VLE D 3.7-50W GU10 927 36D | -20 tot +45 °C | 4 kWh |
| 8720169399440 | MAS LED spot VLE D 3.7-50W GU10 930 36D | -20 tot +45 °C | 4 kWh |
| 8720169399464 | MAS LED spot VLE D 3.7-50W GU10 940 36D | -20 tot +45 °C | 4 kWh |
| 8720169399341 | MAS LED spot VLE D 3.7-50W GU10 927 60D | -20 tot +45 °C | 4 kWh |
| 8720169399365 | MAS LED spot VLE D 3.7-50W GU10 930 60D | -20 tot +45 °C | 4 kWh |
| 8720169399389 | MAS LED spot VLE D 3.7-50W GU10 940 60D | -20 tot +45 °C | 4 kWh |



MASTER Value LEDspot MV - GU10

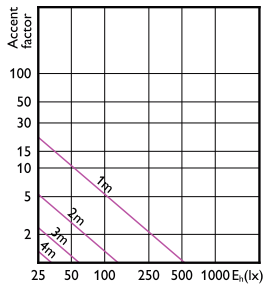


(cd) 0°

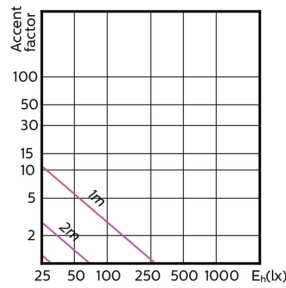
(cd) 0°

MASTER Value LEDspot MV - GU10

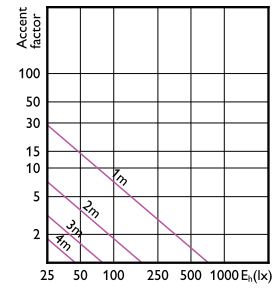
Accent Diagrams



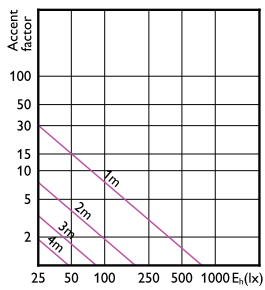
Accent Diagram - MAS LED spot VLE D 2.8-35W
GU10 930 36D



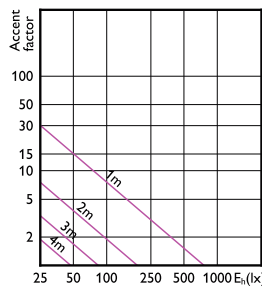
Accent Diagram - MAS LED spot VLE D 3.7-35W
GU10 940 60D



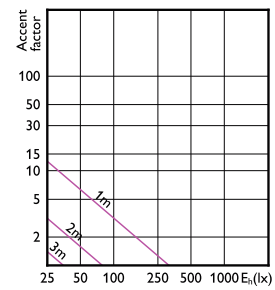
Accent Diagram - MAS LED spot VLE D 5.5-80W
GU10 927 36D



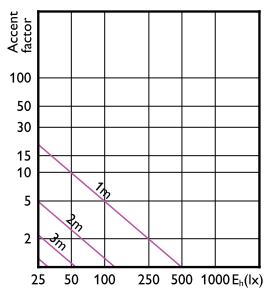
Accent Diagram - MAS LED spot VLE DT
5.5-80W GU10 927 36D



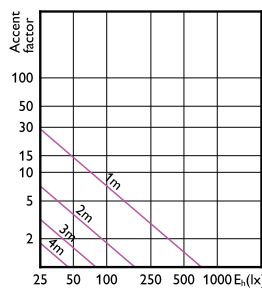
Accent Diagram - MAS LED spot VLE D 5.5-80W
GU10 940 36D



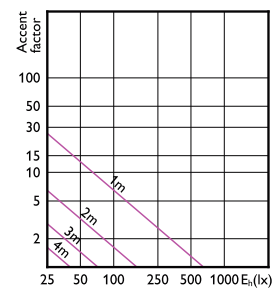
Accent Diagram - MAS LED spot VLE D 3.7-50W
GU10 927 60D



Accent Diagram - MAS LED spot VLE D 2.8-35W
GU10 940 36D



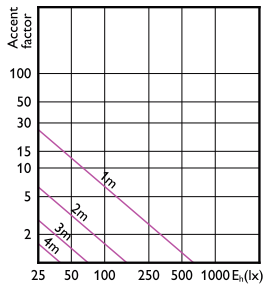
Accent Diagram - MAS LED spot VLE D 3.7-50W
GU10 940 36D



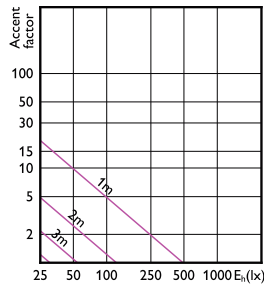
Accent Diagram - MAS LED spot VLE D 3.7-50W
GU10 930 36D

MASTER Value LEDspot MV - GU10

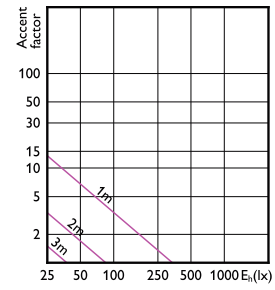
Accent Diagrams



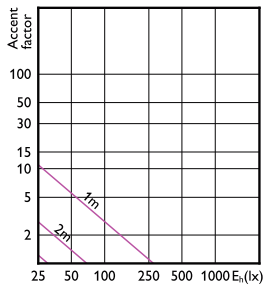
Accent Diagram - MAS LED spot VLE D 3.7-50W
GU10 927 36D



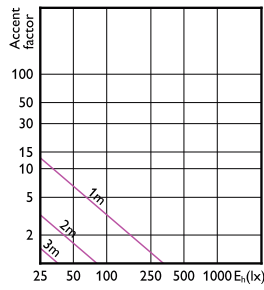
Accent Diagram - MAS LED spot VLE D 2.8-35W
GU10 927 36D



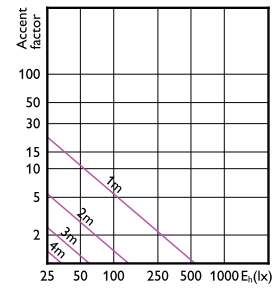
Accent Diagram - MAS LED spot VLE D 3.7-50W
GU10 940 60D



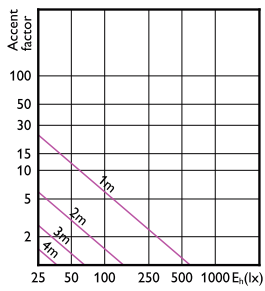
Accent Diagram - MAS LED spot VLE D 2.8-35W
GU10 927 60D



Accent Diagram - MAS LED spot VLE D 3.7-50W
GU10 930 60D



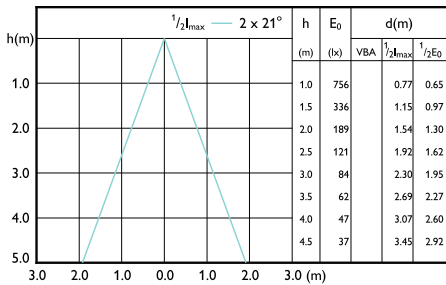
Accent Diagram - MAS LED spot VLE DT
2.8-35W GU10 927 36D



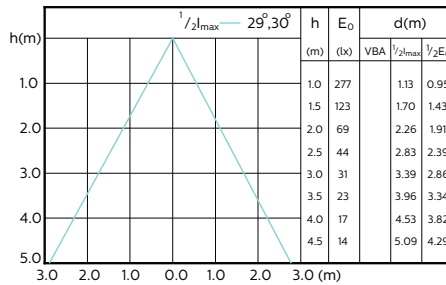
Accent Diagram - MAS LED spot VLE DT
3.7-50W GU10 927 36D

MASTER Value LEDspot MV - GU10

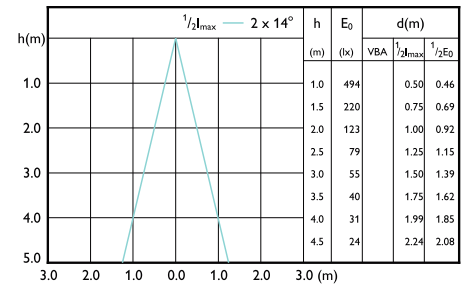
Beam Diagrams



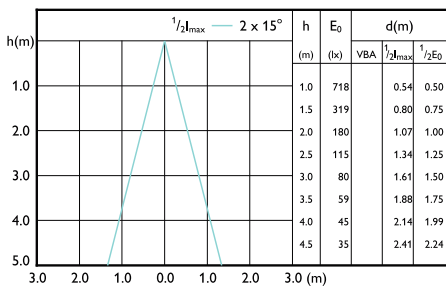
Beam diagram - MAS LED spot VLE DT 5.5-80W GU10 927 36D



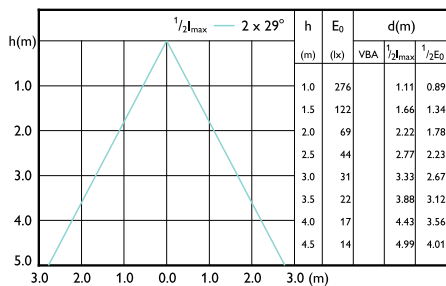
Beam diagram - MAS LED spot VLE D 3.7-35W GU10 940 60D



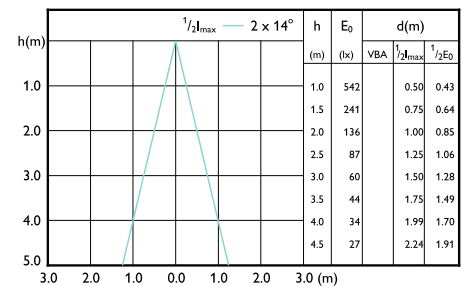
Beam diagram - MAS LED spot VLE D 2.8-35W GU10 940 36D



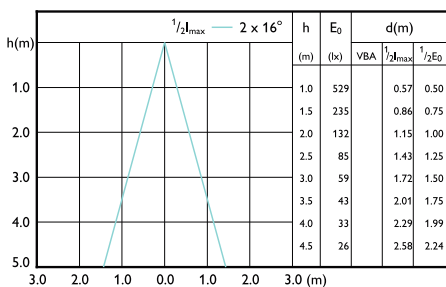
Beam diagram - MAS LED spot VLE D 3.7-50W GU10 940 36D



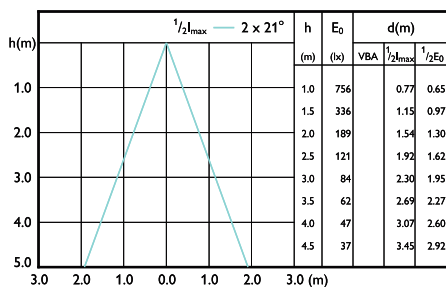
Beam diagram - MAS LED spot VLE D 2.8-35W GU10 927 60D



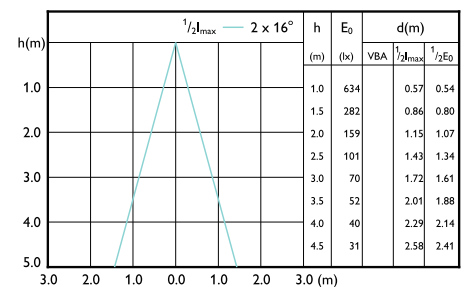
Beam diagram - MAS LED spot VLE DT 2.8-35W GU10 927 36D



Beam diagram - MAS LED spot VLE D 2.8-35W GU10 930 36D



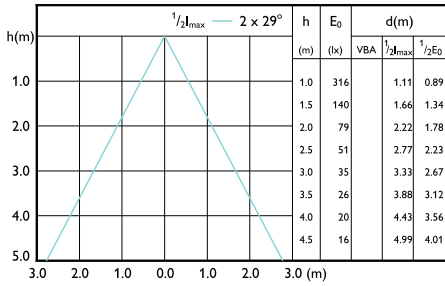
Beam diagram - MAS LED spot VLE D 5.5-80W GU10 940 36D



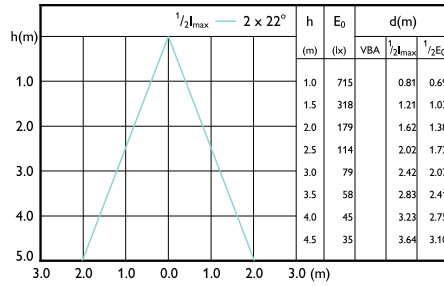
Beam diagram - MAS LED spot VLE D 3.7-50W GU10 927 36D

MASTER Value LEDspot MV - GU10

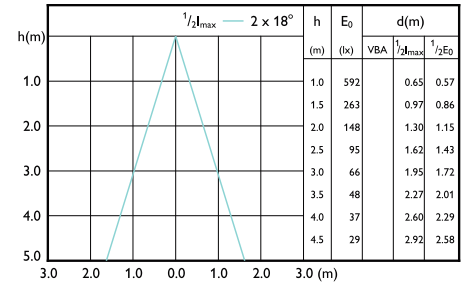
Beam Diagrams



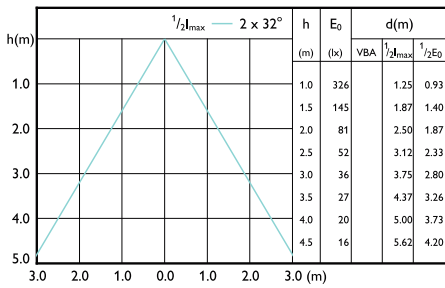
Beam diagram - MAS LED spot VLE D 3.7-50W GU10 927 60D



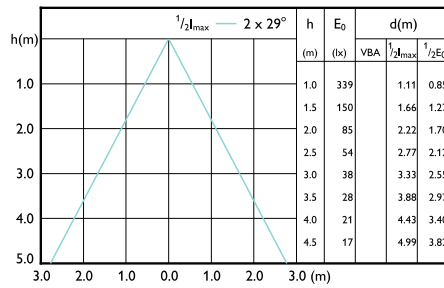
Beam diagram - MAS LED spot VLE D 5.5-80W GU10 927 36D



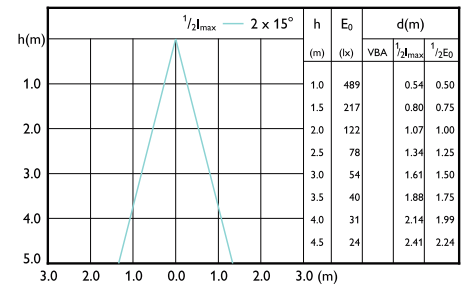
Beam diagram - MAS LED spot VLE DT 3.7-50W GU10 927 36D



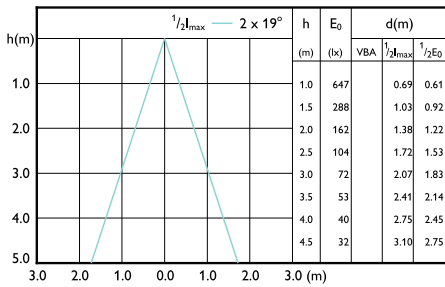
Beam diagram - MAS LED spot VLE D 3.7-50W GU10 930 60D



Beam diagram - MAS LED spot VLE D 3.7-50W GU10 940 60D



Beam diagram - MAS LED spot VLE D 2.8-35W GU10 927 36D



Beam diagram - MAS LED spot VLE D 3.7-50W GU10 930 36D

MASTER Value LEDspot MV - GU10

