



La sostituzione perfetta per le lampade spot alogene alimentate dalla tensione di rete

MASTER LEDspot MV

Con un fascio di luce d'accento calda simile alla luce alogena, MASTER VALUE LEDspot MV è ideale per l'illuminazione spot. Grazie a un CRI elevato, produce colori più naturali, ideali per creare un'atmosfera accogliente e confortevole, fondamentale negli ambienti residenziali e nelle strutture ricettive e per mettere il risalto la bellezza degli articoli esposti. Queste lampade spot LED hanno l'aspetto familiare delle lampade spot in vetro perché ne mantengono i classici tratti estetici, ma al contempo garantiscono le prestazioni superiori tipiche della tecnologia LED. La funzione di oscuramento, che consente di creare l'atmosfera desiderata, è compatibile con un'ampia selezione di dimmer.

Vantaggi

- La prima lampada spot in vetro CRI90 DimTone sul mercato
- Sostituzione perfetta per le lampade GU10 tradizionali vietate a partire da settembre 2016 ai sensi della direttiva ErP
- Migliore riproduzione di una lampada spot alogena per creare atmosfera

MASTER LEDspot MV

Caratteristiche

- DimTone: maggiore è l'oscuramento, più calda è la luce
- Compatibile con una vasta gamma di dimmer
- Durata di 25.000 ore
- Ampiezza del fascio ben definita
- Luce priva di raggi UV e infrarossi: riduzione del calore e protezione degli oggetti sensibili al calore

Applicazione

- Hotel, ristoranti e bar: camere d'albergo, corridoi, hall, reception, ristoranti, bar, caffè
- Casa: soggiorno, camera da letto, corridoio
- Negozi: esposizioni, espositori, punti vendita, camerini

Warnings and safety

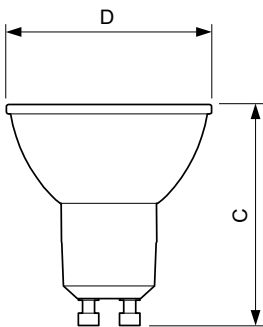
- La temperatura di funzionamento è compresa tra -20 °C e 45 °C
- Applicare solo in luoghi asciutti o umidi e la maggior parte degli accessori aperti con porta-lampade che offrono spazio sufficiente (spazio libero di 10 mm)
- Non destinato all'utilizzo con luci di emergenza o luci di uscita

Versions



LEDspots VLE D 650lm GU10 930 120D

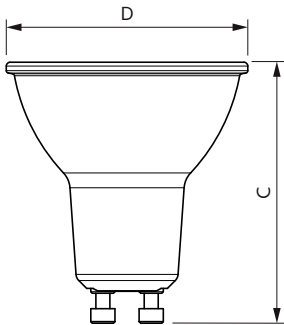
Disegno tecnico



Product	D	C
Master LED 4.9-50W GU10 927 36D Dim	50 mm	54 mm
Master LED 4.9-50W GU10 930 36D Dim	50 mm	54 mm
Master LED 4.9-50W GU10 940 36D Dim	50 mm	54 mm

MASTER LEDspot MV

Disegno tecnico



Product	D	C
MAS LED spot VLE D 2.8-35W GU10 927 36D	50 mm	54 mm
MAS LED spot VLE D 2.8-35W GU10 927 60D	50 mm	54 mm
MAS LED spot VLE D 2.8-35W GU10 930 36D	50 mm	54 mm
MAS LED spot VLE D 2.8-35W GU10 940 36D	50 mm	54 mm
MAS LED spot VLE D 3.7-50W GU10 927 36D	50 mm	54 mm
MAS LED spot VLE D 3.7-50W GU10 927 60D	50 mm	54 mm
MAS LED spot VLE D 3.7-50W GU10 930 36D	50 mm	54 mm
MAS LED spot VLE D 3.7-50W GU10 930 60D	50 mm	54 mm
MAS LED spot VLE D 3.7-50W GU10 940 36D	50 mm	54 mm
MAS LED spot VLE D 3.7-50W GU10 940 60D	50 mm	54 mm
MAS LED spot VLE D 5.5-80W GU10 927 36D	50 mm	54 mm
MAS LED spot VLE D 5.5-80W GU10 930 36D	50 mm	54 mm
MAS LED spot VLE D 5.5-80W GU10 940 36D	50 mm	54 mm
MAS LED spot VLE D 5.5-80W GU10 965 36D	50 mm	54 mm
MAS LED spot VLE D 650lm GU10 930 120D	50 mm	55,5 mm
MAS LED spot VLE D 680lm GU10 940 120D	50 mm	55,5 mm
MAS LED spot VLE D 680lm GU10 965 120D	50 mm	55,5 mm
MAS LED spot VLE DT 2.8-35W GU10 927 36D	50 mm	54 mm
MAS LED spot VLE DT 3.7-50W GU10 927 36D	50 mm	54 mm
MAS LED spot VLE DT 5.5-80W GU10 927 36D	50 mm	54 mm

Informazioni generali

Attacco	GU10
Durata nominale	25.000 ore

Dati tecnici di illuminazione

Indice di resa cromatica (CRI)	90
LLMF a fine durata vita nominale (Nom)	70 %

Funzionamento e parte elettrica

Frequenza di ingresso	Da 50 a 60 Hz
Tempo di avvio (Nom)	0,5 s

Meccanica e corpo

Forma lampadina	PAR16
-----------------	-------

Informazioni generali

Order Code	Full Product Name	Ciclo di commutazione on/off
03821000	MASTER LED spot VLE DT 5.5-80W GU10 927 36D	50.000
03835700	MASTER LED spot VLE D 5.5-80W GU10 927 36D	50.000
03827200	MASTER LED spot VLE D 5.5-80W GU10 930 36D	50.000
03823400	MASTER LED spot VLE D 5.5-80W GU10 940 36D	50.000
03825800	MASTER LED spot VLE D 5.5-80W GU10 965 36D	50.000
70731900	Master LED 4.9-50W GU10 927 36D Dim	50.000
75592100	Master LED 4.9-50W GU10 930 36D Dim	50.000

Order Code	Full Product Name	Ciclo di commutazione on/off
75594500	Master LED 4.9-50W GU10 940 36D Dim	50.000
39914300	MASTER LED spot VLE DT 2.8-35W GU10 927 36D	50.000
39948800	MASTER LED spot VLE DT 3.7-50W GU10 927 36D	50.000
39912900	MASTER LED spot VLE D 2.8-35W GU10 927 36D	50.000
39928000	MASTER LED spot VLE D 2.8-35W GU10 930 36D	50.000
39930300	MASTER LED spot VLE D 2.8-35W GU10 940 36D	50.000
39916700	MASTER LED spot VLE D 2.8-35W GU10 927 60D	50.000

MASTER LEDspot MV

Order Code	Full Product Name	Ciclo di commutazione on/off
39920400	MASTER LED spot VLE D 3.7-50W GU10 927 36D	50.000
39944000	MASTER LED spot VLE D 3.7-50W GU10 930 36D	50.000
39946400	MASTER LED spot VLE D 3.7-50W GU10 940 36D	50.000
39934100	MASTER LED spot VLE D 3.7-50W GU10 927 60D	25.000
39936500	MASTER LED spot VLE D 3.7-50W GU10 930 60D	25.000

Order Code	Full Product Name	Ciclo di commutazione on/off
39938900	MASTER LED spot VLE D 3.7-50W GU10 940 60D	25.000
03829600	MASTER LED spot VLE D 650lm GU10 930 120D	50.000
03831900	MASTER LED spot VLE D 680lm GU10 940 120D	50.000
03833300	MASTER LED spot VLE D 680lm GU10 965 120D	50.000

Dati tecnici di illuminazione

Order Code	Full Product Name	Angolo del fascio (Nom)	Temperatura di colore			
			correlata (Nom)	Codice colore	Flusso luminoso	Intensità luminosa (Nom)
03821000	MASTER LED spot VLE DT 5.5-80W GU10 927 36D	36 °	2200 K	922-927	575 lm	950 cd
03835700	MASTER LED spot VLE D 5.5-80W GU10 927 36D	36 °	2700 K	927	575 lm	950 cd
03827200	MASTER LED spot VLE D 5.5-80W GU10 930 36D	36 °	3000 K	930	575 lm	1.000 cd
03823400	MASTER LED spot VLE D 5.5-80W GU10 940 36D	36 °	4000 K	940	575 lm	1.000 cd
03825800	MASTER LED spot VLE D 5.5-80W GU10 965 36D	36 °	6500 K	965	575 lm	1.000 cd
70731900	Master LED 4.9-50W GU10 927 36D Dim	36 °	2700 K	927	395 lm	650 cd
75592100	Master LED 4.9-50W GU10 930 36D Dim	36 °	3000 K	930	405 lm	650 cd
75594500	Master LED 4.9-50W GU10 940 36D Dim	36 °	4000 K	940	420 lm	700 cd
39914300	MASTER LED spot VLE DT 2.8-35W GU10 927 36D	36 °	2200 K	922-927	280 lm	550 cd
39948800	MASTER LED spot VLE DT 3.7-50W GU10 927 36D	36 °	2200 K	922-927	355 lm	700 cd
39912900	MASTER LED spot VLE D 2.8-35W GU10 927 36D	36 °	2700 K	927	270 lm	600 cd
39928000	MASTER LED spot VLE D 2.8-35W GU10 930 36D	36 °	3000 K	930	270 lm	600 cd
39930300	MASTER LED spot VLE D 2.8-35W GU10 940 36D	36 °	4000 K	940	285 lm	600 cd
39916700	MASTER LED spot VLE D 2.8-35W GU10 927 60D	60 °	2700 K	927	270 lm	300 cd
39920400	MASTER LED spot VLE D 3.7-50W GU10 927 36D	36 °	2700 K	927	355 lm	750 cd
39944000	MASTER LED spot VLE D 3.7-50W GU10 930 36D	36 °	3000 K	930	365 lm	750 cd
39946400	MASTER LED spot VLE D 3.7-50W GU10 940 36D	36 °	4000 K	940	380 lm	800 cd
39934100	MASTER LED spot VLE D 3.7-50W GU10 927 60D	60 °	2700 K	927	355 lm	400 cd
39936500	MASTER LED spot VLE D 3.7-50W GU10 930 60D	60 °	3000 K	930	365 lm	400 cd
39938900	MASTER LED spot VLE D 3.7-50W GU10 940 60D	60 °	4000 K	940	370 lm	420 cd
03829600	MASTER LED spot VLE D 650lm GU10 930 120D	120 °	3000 K	930	650 lm	220 cd
03831900	MASTER LED spot VLE D 680lm GU10 940 120D	120 °	4000 K	940	680 lm	220 cd
03833300	MASTER LED spot VLE D 680lm GU10 965 120D	120 °	6500 K	965	680 lm	220 cd

Funzionamento e parte elettrica

Order Code	Full Product Name	Frequenza di linea	Consumo energetico	Potenza equivalente	Order Code	Full Product Name	Frequenza di linea	Consumo energetico	Potenza equivalente
03821000	MASTER LED spot VLE DT 5.5-80W GU10 927 36D	-	5,5 W	80 W	75592100	Master LED 4.9-50W GU10 930 36D Dim	50 to 60 Hz	5 W	50 W
03835700	MASTER LED spot VLE D 5.5-80W GU10 927 36D	-	5,5 W	80 W	75594500	Master LED 4.9-50W GU10 940 36D Dim	50 to 60 Hz	5 W	50 W
03827200	MASTER LED spot VLE D 5.5-80W GU10 930 36D	-	5,5 W	80 W	39914300	MASTER LED spot VLE DT 2.8-35W GU10 927 36D	-	2,8 W	35 W
03823400	MASTER LED spot VLE D 5.5-80W GU10 940 36D	-	5,5 W	80 W	39948800	MASTER LED spot VLE DT 3.7-50W GU10 927 36D	-	3,7 W	50 W
03825800	MASTER LED spot VLE D 5.5-80W GU10 965 36D	-	5,5 W	80 W	39912900	MASTER LED spot VLE D 2.8-35W GU10 927 36D	-	2,8 W	35 W
70731900	Master LED 4.9-50W GU10 927 36D Dim	50 to 60 Hz	5 W	50 W	39928000	MASTER LED spot VLE D 2.8-35W GU10 930 36D	-	2,8 W	35 W

MASTER LEDspot MV

Order Code	Full Product Name	Frequenza di linea	Consumo energetico	Potenza equivalente
39930300	MASTER LED spot VLE D 2.8-35W GU10 940 36D	-	2,8 W	35 W
39916700	MASTER LED spot VLE D 2.8-35W GU10 927 60D	-	2,8 W	35 W
39920400	MASTER LED spot VLE D 3.7-50W GU10 927 36D	-	3,7 W	50 W
39944000	MASTER LED spot VLE D 3.7-50W GU10 930 36D	-	3,7 W	50 W
39946400	MASTER LED spot VLE D 3.7-50W GU10 940 36D	-	3,7 W	50 W
39934100	MASTER LED spot VLE D 3.7-50W GU10 927 60D	-	3,7 W	50 W

Order Code	Full Product Name	Frequenza di linea	Consumo energetico	Potenza equivalente
39936500	MASTER LED spot VLE D 3.7-50W GU10 930 60D	-	3,7 W	50 W
39938900	MASTER LED spot VLE D 3.7-50W GU10 940 60D	-	3,7 W	50 W
03829600	MASTER LED spot VLE D 650lm GU10 930 120D	-	5,5 W	-
03831900	MASTER LED spot VLE D 680lm GU10 940 120D	-	5,5 W	-
03833300	MASTER LED spot VLE D 680lm GU10 965 120D	-	5,5 W	-

Temperatura

Order Code	Full Product Name	Temp. massima involucro (Nom)
03821000	MASTER LED spot VLE DT 5.5-80W GU10 927 36D	66 °C
03835700	MASTER LED spot VLE D 5.5-80W GU10 927 36D	66 °C
03827200	MASTER LED spot VLE D 5.5-80W GU10 930 36D	66 °C
03823400	MASTER LED spot VLE D 5.5-80W GU10 940 36D	66 °C
03825800	MASTER LED spot VLE D 5.5-80W GU10 965 36D	66 °C
70731900	Master LED 4.9-50W GU10 927 36D Dim	80 °C
75592100	Master LED 4.9-50W GU10 930 36D Dim	80 °C
75594500	Master LED 4.9-50W GU10 940 36D Dim	80 °C
39914300	MASTER LED spot VLE DT 2.8-35W GU10 927 36D	52 °C
39948800	MASTER LED spot VLE DT 3.7-50W GU10 927 36D	60 °C
39912900	MASTER LED spot VLE D 2.8-35W GU10 927 36D	50 °C
39928000	MASTER LED spot VLE D 2.8-35W GU10 930 36D	50 °C

Order Code	Full Product Name	Temp. massima involucro (Nom)
39930300	MASTER LED spot VLE D 2.8-35W GU10 940 36D	50 °C
39916700	MASTER LED spot VLE D 2.8-35W GU10 927 60D	50 °C
39920400	MASTER LED spot VLE D 3.7-50W GU10 927 36D	66 °C
39944000	MASTER LED spot VLE D 3.7-50W GU10 930 36D	66 °C
39946400	MASTER LED spot VLE D 3.7-50W GU10 940 36D	66 °C
39934100	MASTER LED spot VLE D 3.7-50W GU10 927 60D	62 °C
39936500	MASTER LED spot VLE D 3.7-50W GU10 930 60D	62 °C
39938900	MASTER LED spot VLE D 3.7-50W GU10 940 60D	62 °C
03829600	MASTER LED spot VLE D 650lm GU10 930 120D	66 °C
03831900	MASTER LED spot VLE D 680lm GU10 940 120D	66 °C
03833300	MASTER LED spot VLE D 680lm GU10 965 120D	66 °C

Controlli e dimmerazione

Order Code	Full Product Name	Dimmerabile
03821000	MASTER LED spot VLE DT 5.5-80W GU10 927 36D	Solo con dimmer specifici
03835700	MASTER LED spot VLE D 5.5-80W GU10 927 36D	Solo con dimmer specifici
03827200	MASTER LED spot VLE D 5.5-80W GU10 930 36D	Solo con dimmer specifici
03823400	MASTER LED spot VLE D 5.5-80W GU10 940 36D	Solo con dimmer specifici
03825800	MASTER LED spot VLE D 5.5-80W GU10 965 36D	Solo con dimmer specifici
70731900	Master LED 4.9-50W GU10 927 36D Dim	Solo con dimmer specifici
75592100	Master LED 4.9-50W GU10 930 36D Dim	Sì
75594500	Master LED 4.9-50W GU10 940 36D Dim	Sì
39914300	MASTER LED spot VLE DT 2.8-35W GU10 927 36D	Solo con dimmer specifici
39948800	MASTER LED spot VLE DT 3.7-50W GU10 927 36D	Solo con dimmer specifici

Order Code	Full Product Name	Dimmerabile
39912900	MASTER LED spot VLE D 2.8-35W GU10 927 36D	Solo con dimmer specifici
39928000	MASTER LED spot VLE D 2.8-35W GU10 930 36D	Solo con dimmer specifici
39930300	MASTER LED spot VLE D 2.8-35W GU10 940 36D	Solo con dimmer specifici
39916700	MASTER LED spot VLE D 2.8-35W GU10 927 60D	Solo con dimmer specifici
39920400	MASTER LED spot VLE D 3.7-50W GU10 927 36D	Solo con dimmer specifici
39944000	MASTER LED spot VLE D 3.7-50W GU10 930 36D	Solo con dimmer specifici
39946400	MASTER LED spot VLE D 3.7-50W GU10 940 36D	Solo con dimmer specifici
39934100	MASTER LED spot VLE D 3.7-50W GU10 927 60D	Solo con dimmer specifici

MASTER LEDspot MV

Order Code	Full Product Name	Dimmerabile
39936500	MASTER LED spot VLE D 3.7-50W GU10 930 60D	Solo con dimmer specifici
39938900	MASTER LED spot VLE D 3.7-50W GU10 940 60D	Solo con dimmer specifici

Order Code	Full Product Name	Dimmerabile
03829600	MASTER LED spot VLE D 650lm GU10 930 120D	Solo con dimmer specifici
03831900	MASTER LED spot VLE D 680lm GU10 940 120D	Solo con dimmer specifici
03833300	MASTER LED spot VLE D 680lm GU10 965 120D	Solo con dimmer specifici

Meccanica e corpo

Order Code	Full Product Name	Finitura lampadina
03821000	MASTER LED spot VLE DT 5.5-80W GU10 927 36D	Trasparente
03835700	MASTER LED spot VLE D 5.5-80W GU10 927 36D	Trasparente
03827200	MASTER LED spot VLE D 5.5-80W GU10 930 36D	Trasparente
03823400	MASTER LED spot VLE D 5.5-80W GU10 940 36D	Trasparente
03825800	MASTER LED spot VLE D 5.5-80W GU10 965 36D	Trasparente
70731900	Master LED 4.9-50W GU10 927 36D Dim	-
75592100	Master LED 4.9-50W GU10 930 36D Dim	-
75594500	Master LED 4.9-50W GU10 940 36D Dim	-
39914300	MASTER LED spot VLE DT 2.8-35W GU10 927 36D	Trasparente
39948800	MASTER LED spot VLE DT 3.7-50W GU10 927 36D	Trasparente
39912900	MASTER LED spot VLE D 2.8-35W GU10 927 36D	Trasparente
39928000	MASTER LED spot VLE D 2.8-35W GU10 930 36D	Trasparente

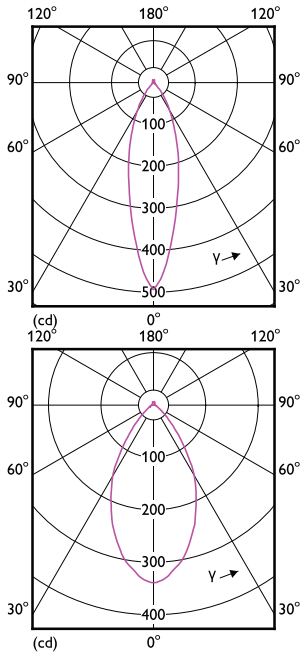
Order Code	Full Product Name	Finitura lampadina
39930300	MASTER LED spot VLE D 2.8-35W GU10 940 36D	Trasparente
39916700	MASTER LED spot VLE D 2.8-35W GU10 927 60D	Trasparente
39920400	MASTER LED spot VLE D 3.7-50W GU10 927 36D	Trasparente
39944000	MASTER LED spot VLE D 3.7-50W GU10 930 36D	Trasparente
39946400	MASTER LED spot VLE D 3.7-50W GU10 940 36D	Trasparente
39934100	MASTER LED spot VLE D 3.7-50W GU10 927 60D	Trasparente
39936500	MASTER LED spot VLE D 3.7-50W GU10 930 60D	Trasparente
39938900	MASTER LED spot VLE D 3.7-50W GU10 940 60D	Trasparente
03829600	MASTER LED spot VLE D 650lm GU10 930 120D	Smerigliata
03831900	MASTER LED spot VLE D 680lm GU10 940 120D	Smerigliata
03833300	MASTER LED spot VLE D 680lm GU10 965 120D	Smerigliata

Approvazione e applicazione

Order Code	Full Product Name	Intervallo temperatura ambiente	Consumo energetico kWh/1000 h
03821000	MASTER LED spot VLE DT 5.5-80W GU10 927 36D	Da -20 a +45 °C	6 kWh
03835700	MASTER LED spot VLE D 5.5-80W GU10 927 36D	Da -20 a +45 °C	6 kWh
03827200	MASTER LED spot VLE D 5.5-80W GU10 930 36D	Da -20 a +45 °C	6 kWh
03823400	MASTER LED spot VLE D 5.5-80W GU10 940 36D	Da -20 a +45 °C	6 kWh
03825800	MASTER LED spot VLE D 5.5-80W GU10 965 36D	Da -20 a +45 °C	6 kWh
70731900	Master LED 4.9-50W GU10 927 36D Dim	Da -20 °C a 45 °C	5 kWh
75592100	Master LED 4.9-50W GU10 930 36D Dim	Da -20 °C a 45 °C	5 kWh
75594500	Master LED 4.9-50W GU10 940 36D Dim	Da -20 °C a 45 °C	5 kWh
39914300	MASTER LED spot VLE DT 2.8-35W GU10 927 36D	Da -20 a +45 °C	3 kWh
39948800	MASTER LED spot VLE DT 3.7-50W GU10 927 36D	Da -20 a +45 °C	4 kWh
39912900	MASTER LED spot VLE D 2.8-35W GU10 927 36D	Da -20 a +45 °C	3 kWh
39928000	MASTER LED spot VLE D 2.8-35W GU10 930 36D	Da -20 a +45 °C	3 kWh

Order Code	Full Product Name	Intervallo temperatura ambiente	Consumo energetico kWh/1000 h
39930300	MASTER LED spot VLE D 2.8-35W GU10 940 36D	Da -20 a +45 °C	3 kWh
39916700	MASTER LED spot VLE D 2.8-35W GU10 927 60D	Da -20 a +45 °C	3 kWh
39920400	MASTER LED spot VLE D 3.7-50W GU10 927 36D	Da -20 a +45 °C	4 kWh
39944000	MASTER LED spot VLE D 3.7-50W GU10 930 36D	Da -20 a +45 °C	4 kWh
39946400	MASTER LED spot VLE D 3.7-50W GU10 940 36D	Da -20 a +45 °C	4 kWh
39934100	MASTER LED spot VLE D 3.7-50W GU10 927 60D	Da -20 a +45 °C	4 kWh
39936500	MASTER LED spot VLE D 3.7-50W GU10 930 60D	Da -20 a +45 °C	4 kWh
39938900	MASTER LED spot VLE D 3.7-50W GU10 940 60D	Da -20 a +45 °C	4 kWh
03829600	MASTER LED spot VLE D 650lm GU10 930 120D	Da -20 a +45 °C	6 kWh
03831900	MASTER LED spot VLE D 680lm GU10 940 120D	Da -20 a +45 °C	6 kWh
03833300	MASTER LED spot VLE D 680lm GU10 965 120D	Da -20 a +45 °C	6 kWh

MASTER LEDspot MV

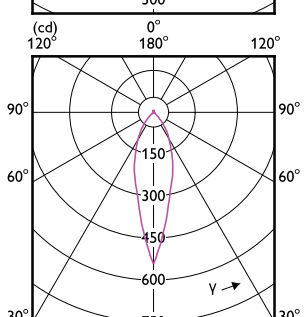
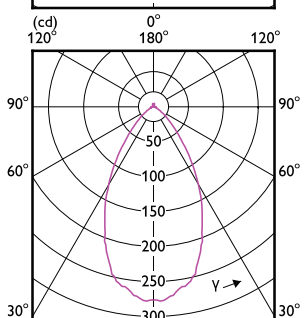
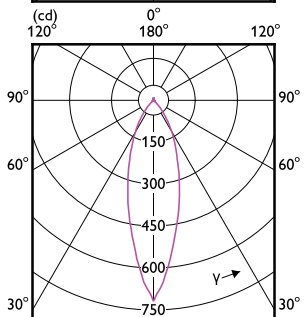
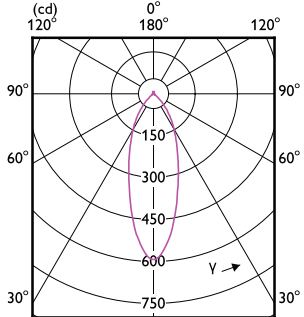
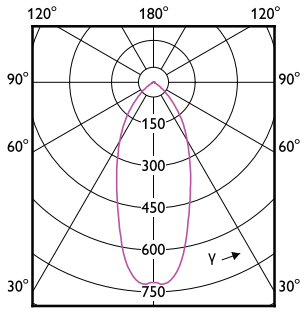


120°

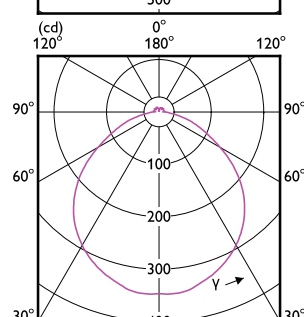
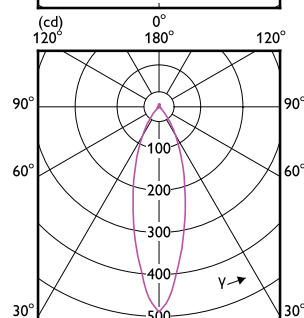
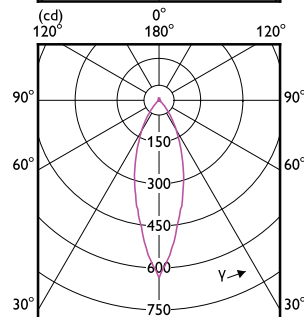
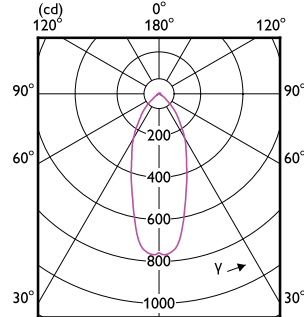
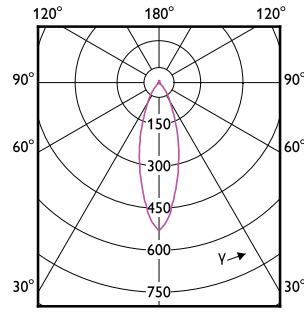
90°

60°

MASTER LEDspot MV

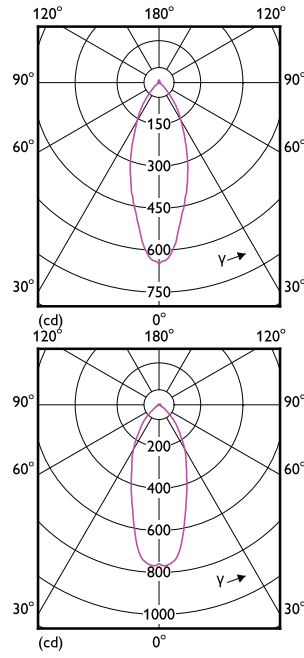
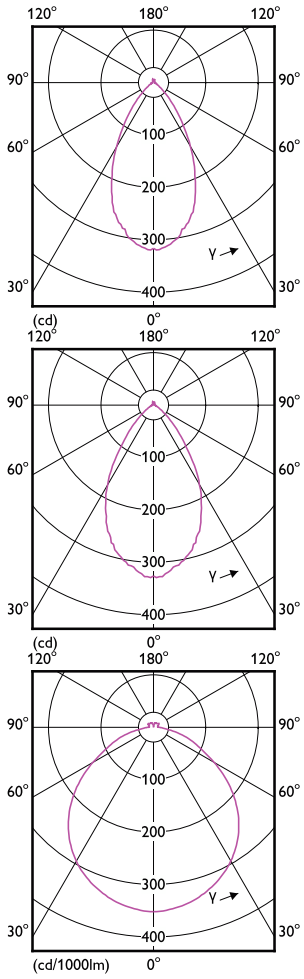


(cd) 0°

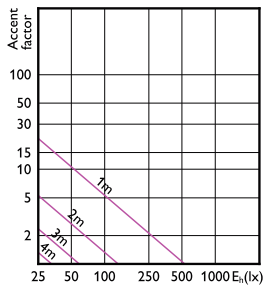


(cd/1000lm) 0°

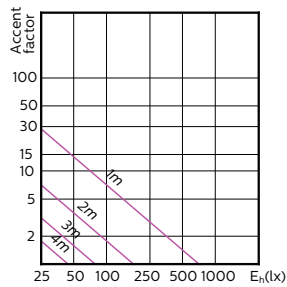
MASTER LEDspot MV



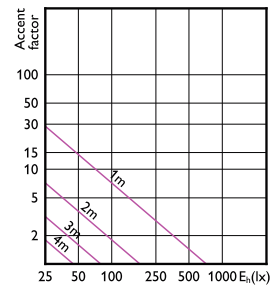
Accent Diagrams



Accent Diagram - MAS LED spot VLE D 2.8-35W GU10 930 36D

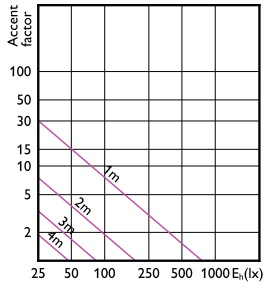


Accent Diagram - Master LED 4.9-50W GU10 930 36D Dim

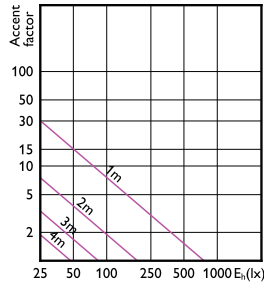


Accent Diagram - MAS LED spot VLE D 5.5-80W GU10 927 36D

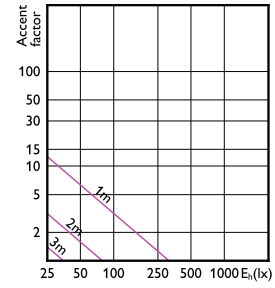
Accent Diagrams



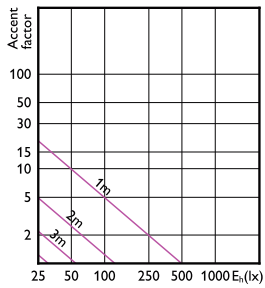
Accent Diagram - MAS LED spot VLE DT
5.5-80W GU10 927 36D



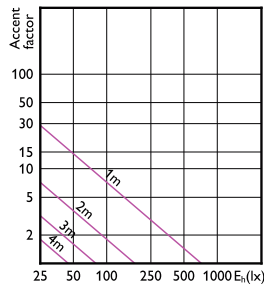
Accent Diagram - MAS LED spot VLE D 5.5-80W
GU10 965 36D



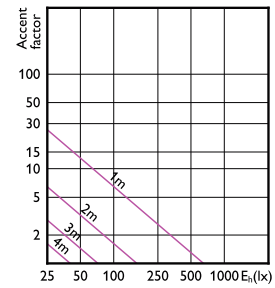
Accent Diagram - MAS LED spot VLE D 3.7-50W
GU10 927 60D



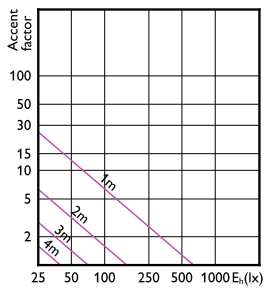
Accent Diagram - MAS LED spot VLE D 2.8-35W
GU10 940 36D



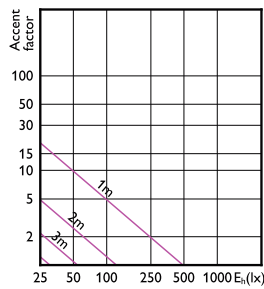
Accent Diagram - MAS LED spot VLE D 3.7-50W
GU10 940 36D



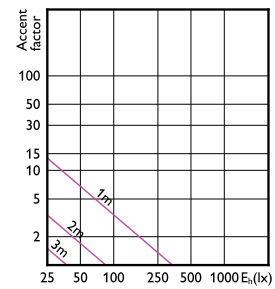
Accent Diagram - MAS LED spot VLE D 3.7-50W
GU10 930 36D



Accent Diagram - MAS LED spot VLE D 3.7-50W
GU10 927 36D

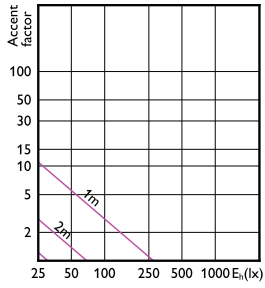


Accent Diagram - MAS LED spot VLE D 2.8-35W
GU10 927 36D

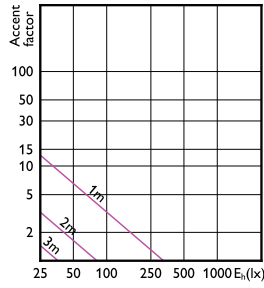


Accent Diagram - MAS LED spot VLE D 3.7-50W
GU10 940 60D

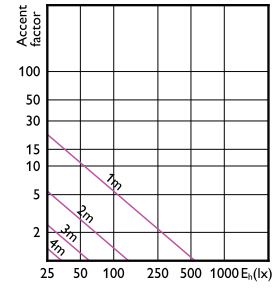
Accent Diagrams



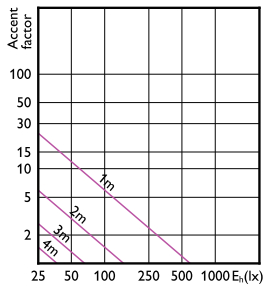
Accent Diagram - MAS LED spot VLE D 2.8-35W GU10 927 60D



Accent Diagram - MAS LED spot VLE D 3.7-50W GU10 930 60D

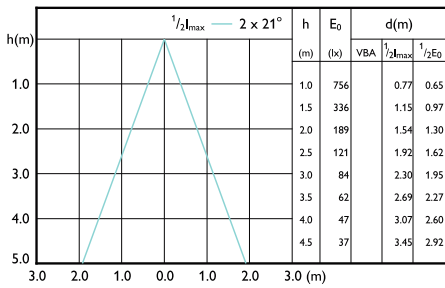


Accent Diagram - MAS LED spot VLE DT 2.8-35W GU10 927 36D

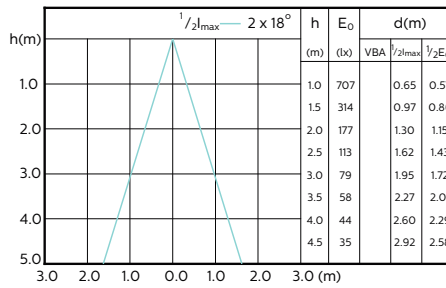


Accent Diagram - MAS LED spot VLE DT 3.7-50W GU10 927 36D

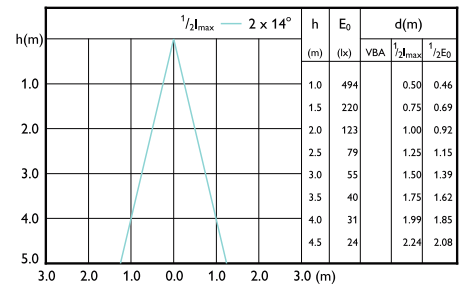
Beam Diagrams



Beam diagram - MAS LED spot VLE DT 5.5-80W GU10 927 36D

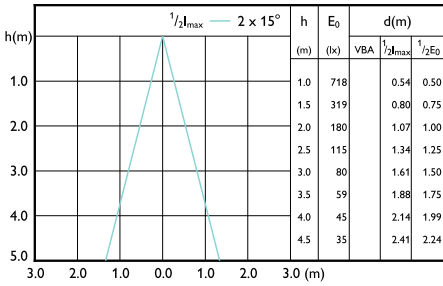


Beam diagram - Master LED 4.9-50W GU10 930 36D Dim

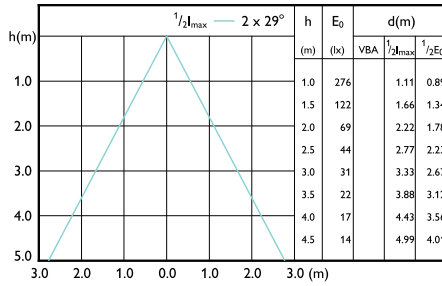


Beam diagram - MAS LED spot VLE D 2.8-35W GU10 940 36D

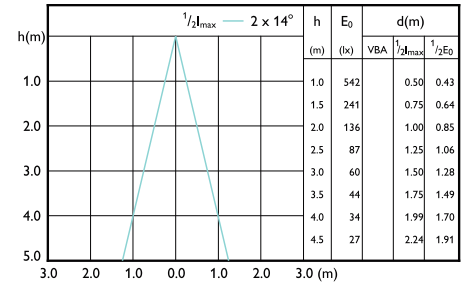
Beam Diagrams



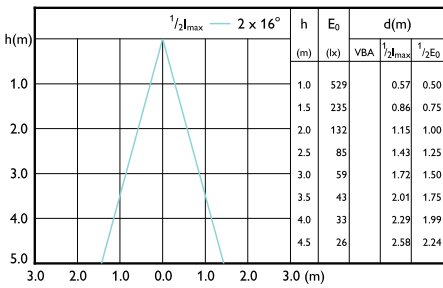
Beam diagram - MAS LED spot VLE D 3.7-50W
GU10 940 36D



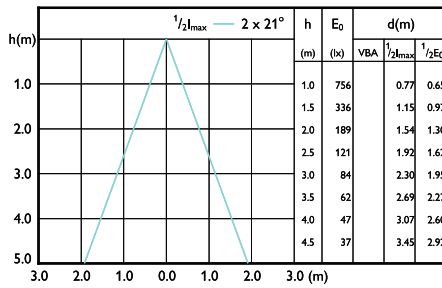
Beam diagram - MAS LED spot VLE D 2.8-35W
GU10 927 60D



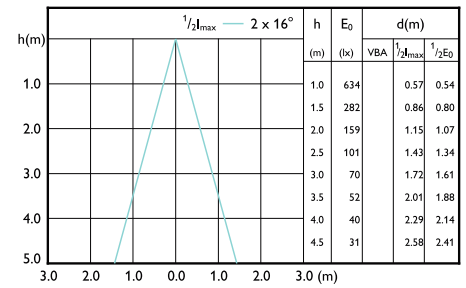
Beam diagram - MAS LED spot VLE DT 2.8-35W
GU10 927 36D



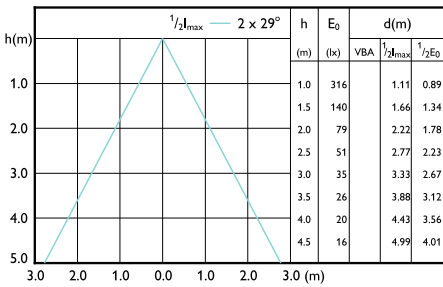
Beam diagram - MAS LED spot VLE D 2.8-35W
GU10 930 36D



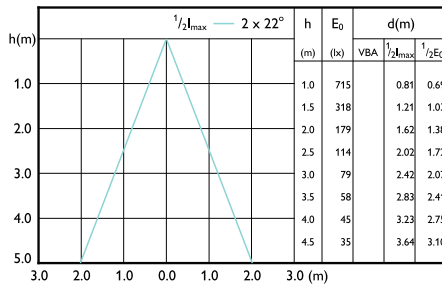
Beam diagram - MAS LED spot VLE D 5.5-80W
GU10 965 36D



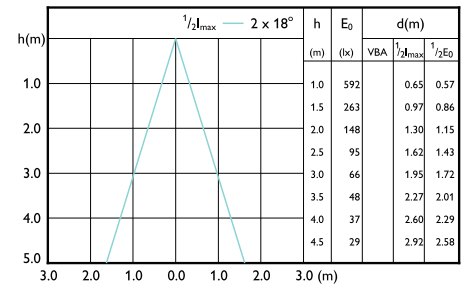
Beam diagram - MAS LED spot VLE D 3.7-50W
GU10 927 36D



Beam diagram - MAS LED spot VLE D 3.7-50W
GU10 927 60D

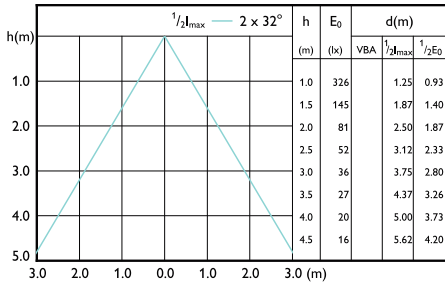


Beam diagram - MAS LED spot VLE D 5.5-80W
GU10 927 36D

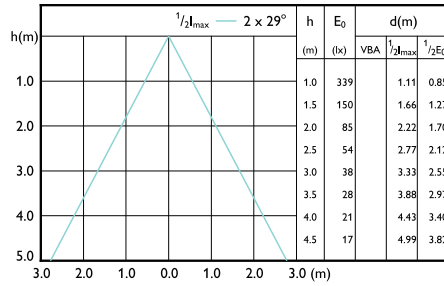


Beam diagram - MAS LED spot VLE DT 3.7-50W
GU10 927 36D

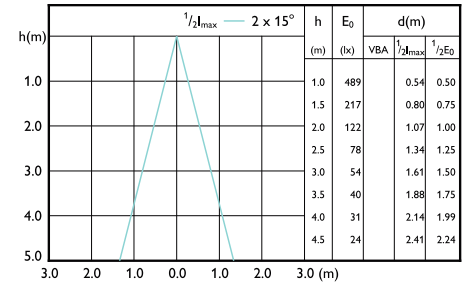
Beam Diagrams



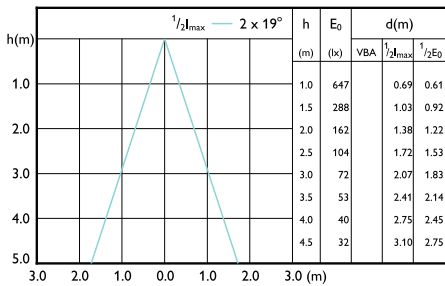
Beam diagram - MAS LED spot VLE D 3.7-50W
GU10 930 60D



Beam diagram - MAS LED spot VLE D 3.7-50W
GU10 940 60D



Beam diagram - MAS LED spot VLE D 2.8-35W
GU10 927 36D



Beam diagram - MAS LED spot VLE D 3.7-50W
GU10 930 36D

