



An optimum combination of value and performance, MASTER Value LEDspot MV is a perfect fit for spot lighting

MASTER VALUE LED spot MV

Delivering a warm, halogen-like accent beam, MASTER VALUE is a perfect fit for spot lighting. Thanks to its high CRI, it realizes more natural colors, creating cozy and comfortable ambiances for residential and hospitality projects, and emphasizing the beauty of merchandise in retail. These LED spots MV GU10 have the familiar look and feel of spot lamps, keeping the classic beauty of glass spots and adding the strong performance of LED technology. The dimming function enables you to create the atmosphere you desire, and it works with broad selection of dimmers. MASTER VALUE also offers more energy savings than normal LED spots.

Benefits

- With MASTER VALUE spotlight up to 80% energy saving compared with halogen lamps
- Best mimic of a halogen spot for atmosphere creation
- Perfect replacement for traditional GU10 lamps

MASTER VALUE LED spot MV

Features

- Dimmable range
- Compatible with an extensive range of dimmers
- Patented intelligent driver
- Lifetime of 25,000 hours
- No UV and Cool Beam (no IR), making it suitable for illuminating heat-sensitive objects (food, organic materials, paintings etc.)

Application

- Hospitality
- Retail
- Residential

Warnings and Safety

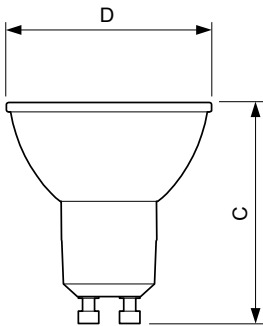
- Operating temperature range is between -20° C and 45° C ambient
- Only to apply in dry or damp locations and most of open fixtures with lamp-holders that offer sufficient space (10 mm free air space)
- Not intended for use with emergency light fixtures or exit lights

Versions



PAR16 GU10

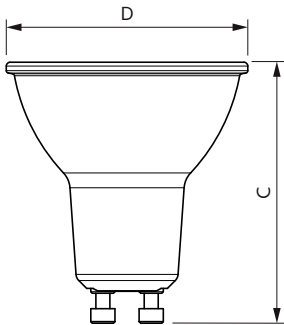
Dimensional drawing



Product	D	C
MAS LED spot VLE D 6.2-80W GU10 940 36D	50 mm	54 mm
MAS LED spot VLE D 650lm GU10 930 120D	50 mm	54 mm
MAS LED spot VLE D 680lm GU10 940 120D	50 mm	54 mm
Master LED 4.9-50W GU10 927 36D Dim	50 mm	54 mm
Master LED 4.9-50W GU10 930 36D Dim	50 mm	54 mm
Master LED 4.9-50W GU10 940 36D Dim	50 mm	54 mm

MASTER VALUE LED spot MV

Dimensional drawing



Product	D	C
MAS LED spot VLE D 5.5-80W GU10 930 36D	50 mm	54 mm
MAS LED spot VLE D 5.5-80W GU10 940 36D	50 mm	54 mm
MAS LED spot VLE D 5.5-80W GU10 965 36D	50 mm	54 mm
MAS LED spot VLE D 650lm GU10 930 120D	50 mm	55.5 mm
MAS LED spot VLE D 680lm GU10 940 120D	50 mm	55.5 mm
MAS LED spot VLE D 680lm GU10 965 120D	50 mm	55.5 mm

General Information	
Cap-Base	GU10
Switching Cycle	50,000
Nominal lifetime	25,000 hour(s)
Light Technical	
Color rendering index (CRI)	90
LLMF At End Of Nominal Lifetime (Nom)	70 %
Operating and Electrical	
Input Frequency	50 to 60 Hz
Starting Time (Nom)	0.5 s
Mechanical and Housing	
Bulb Shape	PAR16

Light Technical (1/2)

Order Code	Full Product Name	Beam Angle (Nom)	Correlated Color		
			Temperature (Nom)	Color Code	Luminous Flux
929002066002	MAS LED spot VLE D 6.2-80W GU10 940 36D	36 degree(s)	4000 K	940	575 lm
929004255902	MAS LED spot VLE D 5.5-80W GU10 930 36D	36 degree(s)	3000 K	930	575 lm
929004256002	MAS LED spot VLE D 5.5-80W GU10 940 36D	36 degree(s)	4000 K	940	575 lm
929004256102	MAS LED spot VLE D 5.5-80W GU10 965 36D	36 degree(s)	6500 K	965	575 lm
929001348808	Master LED 4.9-50W GU10 927 36D Dim	36 degree(s)	2700 K	927	395 lm
929001348908	Master LED 4.9-50W GU10 930 36D Dim	36 degree(s)	3000 K	930	405 lm
929001349008	Master LED 4.9-50W GU10 940 36D Dim	36 degree(s)	4000 K	940	420 lm
929002210002	MAS LED spot VLE D 650lm GU10 930 120D	120 degree(s)	3000 K	930	650 lm
929002210102	MAS LED spot VLE D 680lm GU10 940 120D	120 degree(s)	4000 K	940	680 lm
929004256202	MAS LED spot VLE D 650lm GU10 930 120D	120 degree(s)	3000 K	930	650 lm
929004256302	MAS LED spot VLE D 680lm GU10 940 120D	120 degree(s)	4000 K	940	680 lm
929004256402	MAS LED spot VLE D 680lm GU10 965 120D	120 degree(s)	6500 K	965	680 lm

Light Technical (2/2)

Order Code	Full Product Name	Luminous Intensity (Nom)	Order Code	Full Product Name	Luminous Intensity (Nom)
929002066002	MAS LED spot VLE D 6.2-80W GU10 940 36D	850 cd	929001349008	Master LED 4.9-50W GU10 940 36D Dim	700 cd
929004255902	MAS LED spot VLE D 5.5-80W GU10 930 36D	1,000 cd	929002210002	MAS LED spot VLE D 650lm GU10 930 120D	200 cd
929004256002	MAS LED spot VLE D 5.5-80W GU10 940 36D	1,000 cd	929002210102	MAS LED spot VLE D 680lm GU10 940 120D	200 cd
929004256102	MAS LED spot VLE D 5.5-80W GU10 965 36D	1,000 cd	929004256202	MAS LED spot VLE D 650lm GU10 930 120D	220 cd
929001348808	Master LED 4.9-50W GU10 927 36D Dim	650 cd	929004256302	MAS LED spot VLE D 680lm GU10 940 120D	220 cd
929001348908	Master LED 4.9-50W GU10 930 36D Dim	650 cd			

MASTER VALUE LED spot MV

Order Code	Full Product Name	Luminous Intensity (Nom)
929004256402	MAS LED spot VLE D 680lm GU10 965 120D 36D	220 cd

Operating and Electrical

Order Code	Full Product Name	Line Frequency	Power Consumption	Wattage Equivalent
929002066002	MAS LED spot VLE D 6.2-80W GU10 940 36D	50 to 60 Hz	6.2 W	80 W
929004255902	MAS LED spot VLE D 5.5-80W GU10 930 36D	-	5.5 W	80 W
929004256002	MAS LED spot VLE D 5.5-80W GU10 940 36D	-	5.5 W	80 W
929004256102	MAS LED spot VLE D 5.5-80W GU10 965 36D	-	5.5 W	80 W
929001348808	Master LED 4.9-50W GU10 927 36D Dim	50 to 60 Hz	5 W	50 W
929001348908	Master LED 4.9-50W GU10 930 36D Dim	50 to 60 Hz	5 W	50 W
929001349008	Master LED 4.9-50W GU10 940 36D Dim	50 to 60 Hz	5 W	50 W

Order Code	Full Product Name	Line Frequency	Power Consumption	Wattage Equivalent
929002210002	MAS LED spot VLE D 650lm GU10 930 120D	50 to 60 Hz	6.2 W	-
929002210102	MAS LED spot VLE D 680lm GU10 940 120D	50 to 60 Hz	6.2 W	-
929004256202	MAS LED spot VLE D 650lm GU10 930 120D	-	5.5 W	-
929004256302	MAS LED spot VLE D 680lm GU10 940 120D	-	5.5 W	-
929004256402	MAS LED spot VLE D 680lm GU10 965 120D	-	5.5 W	-

Temperature

Order Code	Full Product Name	T-Case Maximum (Nom)
929002066002	MAS LED spot VLE D 6.2-80W GU10 940 36D	80 °C
929004255902	MAS LED spot VLE D 5.5-80W GU10 930 36D	66 °C
929004256002	MAS LED spot VLE D 5.5-80W GU10 940 36D	66 °C
929004256102	MAS LED spot VLE D 5.5-80W GU10 965 36D	66 °C
929001348808	Master LED 4.9-50W GU10 927 36D Dim	80 °C
929001348908	Master LED 4.9-50W GU10 930 36D Dim	80 °C

Order Code	Full Product Name	T-Case Maximum (Nom)
929001349008	Master LED 4.9-50W GU10 940 36D Dim	80 °C
929002210002	MAS LED spot VLE D 650lm GU10 930 120D	80 °C
929002210102	MAS LED spot VLE D 680lm GU10 940 120D	80 °C
929004256202	MAS LED spot VLE D 650lm GU10 930 120D	66 °C
929004256302	MAS LED spot VLE D 680lm GU10 940 120D	66 °C
929004256402	MAS LED spot VLE D 680lm GU10 965 120D	66 °C

Controls and Dimming

Order Code	Full Product Name	Dimmable
929002066002	MAS LED spot VLE D 6.2-80W GU10 940 36D	Only with specific dimmers
929004255902	MAS LED spot VLE D 5.5-80W GU10 930 36D	Only with specific dimmers
929004256002	MAS LED spot VLE D 5.5-80W GU10 940 36D	Only with specific dimmers
929004256102	MAS LED spot VLE D 5.5-80W GU10 965 36D	Only with specific dimmers
929001348808	Master LED 4.9-50W GU10 927 36D Dim	Only with specific dimmers
929001348908	Master LED 4.9-50W GU10 930 36D Dim	Yes

Order Code	Full Product Name	Dimmable
929001349008	Master LED 4.9-50W GU10 940 36D Dim	Yes
929002210002	MAS LED spot VLE D 650lm GU10 930 120D	Only with specific dimmers
929002210102	MAS LED spot VLE D 680lm GU10 940 120D	Only with specific dimmers
929004256202	MAS LED spot VLE D 650lm GU10 930 120D	Only with specific dimmers
929004256302	MAS LED spot VLE D 680lm GU10 940 120D	Only with specific dimmers
929004256402	MAS LED spot VLE D 680lm GU10 965 120D	Only with specific dimmers

MASTER VALUE LED spot MV

Mechanical and Housing

Order Code	Full Product Name	Bulb Finish
929002066002	MAS LED spot VLE D 6.2-80W GU10 940 36D	-
929004255902	MAS LED spot VLE D 5.5-80W GU10 930 36D	Clear
929004256002	MAS LED spot VLE D 5.5-80W GU10 940 36D	Clear
929004256102	MAS LED spot VLE D 5.5-80W GU10 965 36D	Clear
929001348808	Master LED 4.9-50W GU10 927 36D Dim	-
929001348908	Master LED 4.9-50W GU10 930 36D Dim	-

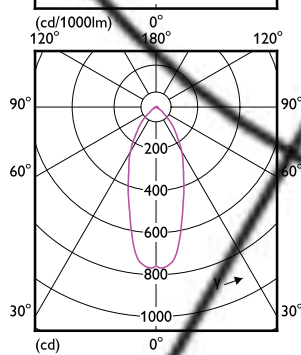
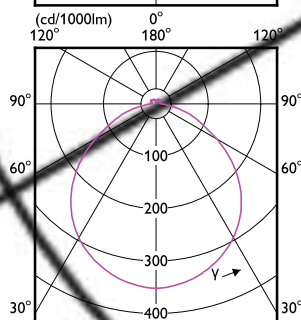
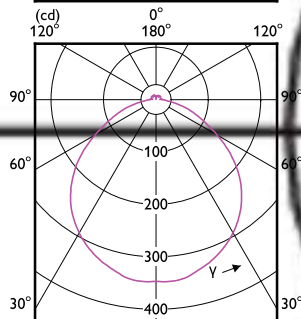
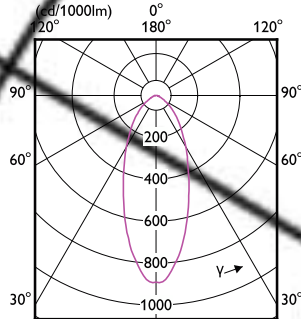
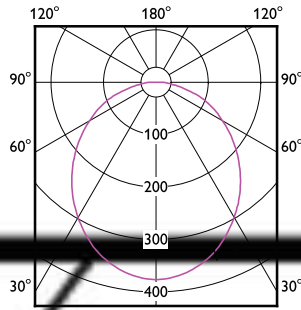
Order Code	Full Product Name	Bulb Finish
929001349008	Master LED 4.9-50W GU10 940 36D Dim	-
929002210002	MAS LED spot VLE D 650lm GU10 930 120D	-
929002210102	MAS LED spot VLE D 680lm GU10 940 120D	-
929004256202	MAS LED spot VLE D 650lm GU10 930 120D	Frosted
929004256302	MAS LED spot VLE D 680lm GU10 940 120D	Frosted
929004256402	MAS LED spot VLE D 680lm GU10 965 120D	Frosted

Approval and Application

Order Code	Full Product Name	Energy	
		Ambient temperature range	Consumption kWh/1000 h
929002066002	MAS LED spot VLE D 6.2-80W GU10 940 36D	-20 to +45 °C	7 kWh
929004255902	MAS LED spot VLE D 5.5-80W GU10 930 36D	-20 to +45 °C	6 kWh
929004256002	MAS LED spot VLE D 5.5-80W GU10 940 36D	-20 to +45 °C	6 kWh
929004256102	MAS LED spot VLE D 5.5-80W GU10 965 36D	-20 to +45 °C	6 kWh
929001348808	Master LED 4.9-50W GU10 927 36D Dim	-20 °C to 45 °C	5 kWh
929001348908	Master LED 4.9-50W GU10 930 36D Dim	-20 °C to 45 °C	5 kWh
929001349008	Master LED 4.9-50W GU10 940 36D Dim	-20 °C to 45 °C	5 kWh
929002210002	MAS LED spot VLE D 650lm GU10 930 120D	-20 to +45 °C	7 kWh
929002210102	MAS LED spot VLE D 680lm GU10 940 120D	-20 to +45 °C	7 kWh
929004256202	MAS LED spot VLE D 650lm GU10 930 120D	-20 to +45 °C	6 kWh
929004256302	MAS LED spot VLE D 680lm GU10 940 120D	-20 to +45 °C	6 kWh
929004256402	MAS LED spot VLE D 680lm GU10 965 120D	-20 to +45 °C	6 kWh

120°

180°



90°

60°

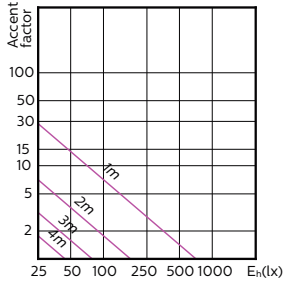
150

300

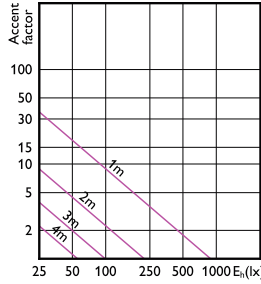
450

MASTER VALUE LED spot MV

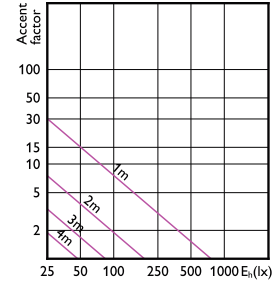
Accent Diagrams



Accent Diagram - Master LED 4.9-50W GU10 940 36D Dim

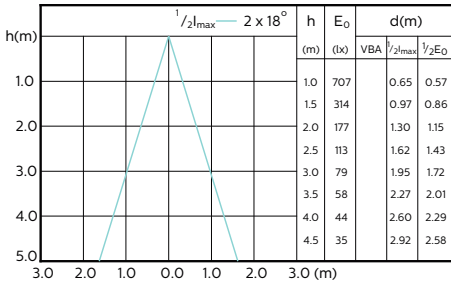


Accent Diagram - MAS LED spot VLE D 6.2-80W GU10 940 36D

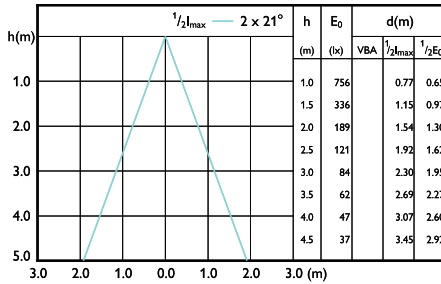


Accent Diagram - MAS LED spot VLE D 5.5-80W GU10 965 36D

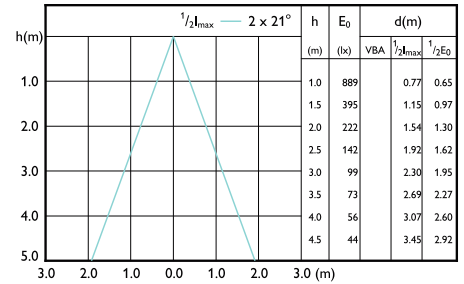
Beam Diagrams



Beam diagram - Master LED 4.9-50W GU10 940 36D Dim



Beam diagram - MAS LED spot VLE D 5.5-80W GU10 965 36D



Beam diagram - MAS LED spot VLE D 6.2-80W GU10 940 36D

