



# MASTER LEDspot LV – ideálne riešenie pre bodové osvetlenie.

## MASTER LEDspot LV

MASTER LEDspot LV s teplo bielym svetlom blízkym žiarovkovému svetlu je ideálnym riešením pre bodové a všeobecné osvetlenie v stravovacích a ubytovacích zariadeniach. Výborne sa hodí do verejných priestranstiev ako napríklad recepcie, vstupné haly, chodby, schodiská a kúpeľne, ktoré sú neustále osvetlené. Robustne navrhnutý MASTER LEDspot MR16 ponúka jasne definovaný lúč svetla v rôznych uhloch vyžarovania. Lúč nevytvára ultrafialové ani infračervené žiarenie, vďaka čomu je vhodný pre osvetlenie objektov citlivých na teplo (potraviny, organické materiály, maľby, atď.). Patentovaný inteligentný ovládač umožňuje širokú kompatibilitu s existujúcimi elektromagnetickými a elektronickými halogénovými transformátormi. Stmievateľné verzie vedú k ďalšiemu zvýšeniu účinnosti a zároveň pomáhajú vytvoriť požadovanú atmosféru.

### Výhody

- Úspora elektrickej energie až 80 % v porovnaní s halogénovými žiarovkami
- Široká kompatibilita s bežne používanými transformátormi
- Priama náhrada za nízkonapäťové MR16 halogénové žiarovky s päticou GU5.3

### Vlastnosti

- stmievateľné (typy 7–35 W a 10–50 W)
- patentovaný inteligentný napájač
- mechanizmus na prúdenie vzduchu (aktívne chladenie ventilátorom) s veľmi nízkou hlučnosťou
- životnosť 25.000 až 45.000 hodín
- CRI90 (iba MR11)

# MASTER LEDspot LV

## Aplikácie

- Ideálne riešenie pre akcentačné osvetlenie v hoteloch, nemocniciach, predajniach a múzeách (napr. podlahy, výťahy, vitríny)

## Varovanie a ochrana

- Operating temperature range is between -20° C and 45° C ambient
- Only to apply in dry or damp locations and most of open fixtures with lamp-holders that offer sufficient space (10 mm free air space)
- Not intended for use with emergency light fixtures or exit lights

## Versions

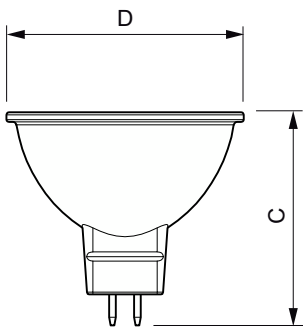


LEDspots MAS SLR 2 MR11 GU4



LEDspots MAS MR16 GU5,3 1

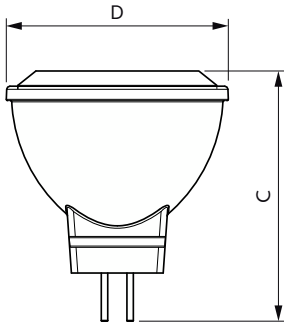
## Rozmerový obrázok



Product	D	C
MAS LED SPOT VLE D 7.5-50W MR16 927 36D	50,5 mm	45,5 mm
MAS LED SPOT VLE D 7.5-50W MR16 927 60D	50,5 mm	45,5 mm
MAS LED SPOT VLE D 7.5-50W MR16 930 36D	50,5 mm	45,5 mm
MAS LED SPOT VLE D 7.5-50W MR16 930 60D	50,5 mm	45,5 mm
MAS LED SPOT VLE D 7.5-50W MR16 940 36D	50,5 mm	45,5 mm
MAS LED SPOT VLE D 7.5-50W MR16 940 60D	50,5 mm	45,5 mm
MAS LED spot VLE D 5.8-35W MR16 927 36D	50,5 mm	45,5 mm
MAS LED spot VLE D 5.8-35W MR16 927 60D	50,5 mm	45,5 mm
MAS LED spot VLE D 5.8-35W MR16 930 36D	50,5 mm	45,5 mm
MAS LED spot VLE D 5.8-35W MR16 930 60D	50,5 mm	45,5 mm
MAS LED spot VLE D 5.8-35W MR16 940 36D	50,5 mm	45,5 mm
MAS LED spot VLE D 5.8-35W MR16 940 60D	50,5 mm	45,5 mm

# MASTER LEDspot LV

## Rozmerový obrázok



Product	D	C
MAS LEDspotLV 3.5-20W 827 MR11 24D	35,1 mm	39,5 mm

### Všeobecné informácie

Spínací cyklus	50 000
----------------	--------

### Svetelné technické

LLMF na konci nominálnej životnosti (nom.)	70 %
--	------

### Prevádzkové a elektrické

Vstupná frekvencia	- Hz
Sieťová frekvencia	- Hz
Čas spustenia (nom.)	0,5 s

### Mechanické časti a teleso

Povrchová úprava žiarovky	Číra
---------------------------	------

## Všeobecné informácie

Order Code	Full Product Name	Pätica	Nominálna životnosť
30718600	MASTER LED spot VLE D 5.8-35W MR16 927 36D	GU5.3	25 000 h
30720900	MASTER LED spot VLE D 5.8-35W MR16 930 36D	GU5.3	25 000 h
30722300	MASTER LED spot VLE D 5.8-35W MR16 940 36D	GU5.3	25 000 h
30724700	MASTER LED spot VLE D 5.8-35W MR16 927 60D	GU5.3	25 000 h
30726100	MASTER LED spot VLE D 5.8-35W MR16 930 60D	GU5.3	25 000 h
30728500	MASTER LED spot VLE D 5.8-35W MR16 940 60D	GU5.3	25 000 h
30732200	MASTER LED SPOT VLE D 7.5-50W MR16 927 36D	GU5.3	25 000 h

Order Code	Full Product Name	Pätica	Nominálna životnosť
30734600	MASTER LED SPOT VLE D 7.5-50W MR16 930 36D	GU5.3	25 000 h
30736000	MASTER LED SPOT VLE D 7.5-50W MR16 940 36D	GU5.3	25 000 h
35990100	MASTER LEDspotLV 3.5-20W 827 MR11 24D	GU4	40 000 h
30738400	MASTER LED SPOT VLE D 7.5-50W MR16 927 60D	GU5.3	25 000 h
30740700	MASTER LED SPOT VLE D 7.5-50W MR16 930 60D	GU5.3	25 000 h
30742100	MASTER LED SPOT VLE D 7.5-50W MR16 940 60D	GU5.3	25 000 h

## Svetelné technické

# MASTER LEDspot LV

Order Code	Full Product Name	Uhol vyžarovania (nom.)	Náhradná teplota		Index podania		Intenzita svetla	
			chromatickosti (nom.)	farieb (CRI)	Kód farby	Svetelný tok (nom.)		
30718600	MASTER LED spot VLE D 5.8-35W MR16 927 36D	36 stupeň (stupne)	2700 K	90	927	450 lm	1 300 cd	
30720900	MASTER LED spot VLE D 5.8-35W MR16 930 36D	36 stupeň (stupne)	3000 K	90	930	460 lm	1 300 cd	
30722300	MASTER LED spot VLE D 5.8-35W MR16 940 36D	36 stupeň (stupne)	4000 K	90	940	490 lm	1 200 cd	
30724700	MASTER LED spot VLE D 5.8-35W MR16 927 60D	60 stupeň (stupne)	2700 K	90	927	450 lm	600 cd	
30726100	MASTER LED spot VLE D 5.8-35W MR16 930 60D	60 stupeň (stupne)	3000 K	90	930	460 lm	600 cd	
30728500	MASTER LED spot VLE D 5.8-35W MR16 940 60D	60 stupeň (stupne)	4000 K	90	940	490 lm	550 cd	
30732200	MASTER LED SPOT VLE D 7.5-50W MR16 927 36D	36 stupeň (stupne)	2700 K	90	927	621 lm	1 600 cd	
30734600	MASTER LED SPOT VLE D 7.5-50W MR16 930 36D	36 stupeň (stupne)	3000 K	90	930	630 lm	1 600 cd	
30736000	MASTER LED SPOT VLE D 7.5-50W MR16 940 36D	36 stupeň (stupne)	4000 K	90	940	660 lm	1 500 cd	
35990100	MASTER LEDspotLV 3.5-20W 827 MR11 24D	24 stupeň (stupne)	2700 K	80	827	200 lm	1 000 cd	
30738400	MASTER LED SPOT VLE D 7.5-50W MR16 927 60D	60 stupeň (stupne)	2700 K	90	927	621 lm	750 cd	
30740700	MASTER LED SPOT VLE D 7.5-50W MR16 930 60D	60 stupeň (stupne)	3000 K	90	930	630 lm	800 cd	
30742100	MASTER LED SPOT VLE D 7.5-50W MR16 940 60D	60 stupeň (stupne)	4000 K	90	940	660 lm	770 cd	

## Prevádzkové a elektrické

Order Code	Full Product Name	Spotreba	Ekvivalentný výkon	Order Code	Full Product Name	Spotreba	Ekvivalentný výkon
30718600	MASTER LED spot VLE D 5.8-35W MR16 927 36D	5,8 W	35 W	30734600	MASTER LED SPOT VLE D 7.5-50W MR16 930 36D	7,5 W	50 W
30720900	MASTER LED spot VLE D 5.8-35W MR16 930 36D	5,8 W	35 W	30736000	MASTER LED SPOT VLE D 7.5-50W MR16 940 36D	7,5 W	50 W
30722300	MASTER LED spot VLE D 5.8-35W MR16 940 36D	5,8 W	35 W	35990100	MASTER LEDspotLV 3.5-20W 827 MR11 24D	3,5 W	20 W
30724700	MASTER LED spot VLE D 5.8-35W MR16 927 60D	5,8 W	35 W	30738400	MASTER LED SPOT VLE D 7.5-50W MR16 927 60D	7,5 W	50 W
30726100	MASTER LED spot VLE D 5.8-35W MR16 930 60D	5,8 W	35 W	30740700	MASTER LED SPOT VLE D 7.5-50W MR16 930 60D	7,5 W	50 W
30728500	MASTER LED spot VLE D 5.8-35W MR16 940 60D	5,8 W	35 W	30742100	MASTER LED SPOT VLE D 7.5-50W MR16 940 60D	7,5 W	50 W
30732200	MASTER LED SPOT VLE D 7.5-50W MR16 927 36D	7,5 W	50 W				

## Teplota

Order Code	Full Product Name	Maximálna teplota krytu (nom.)	Order Code	Full Product Name	Maximálna teplota krytu (nom.)
30718600	MASTER LED spot VLE D 5.8-35W MR16 927 36D	85 °C	30734600	MASTER LED SPOT VLE D 7.5-50W MR16 930 36D	95 °C
30720900	MASTER LED spot VLE D 5.8-35W MR16 930 36D	85 °C	30736000	MASTER LED SPOT VLE D 7.5-50W MR16 940 36D	95 °C
30722300	MASTER LED spot VLE D 5.8-35W MR16 940 36D	85 °C	35990100	MASTER LEDspotLV 3.5-20W 827 MR11 24D	85 °C
30724700	MASTER LED spot VLE D 5.8-35W MR16 927 60D	85 °C	30738400	MASTER LED SPOT VLE D 7.5-50W MR16 927 60D	95 °C
30726100	MASTER LED spot VLE D 5.8-35W MR16 930 60D	85 °C	30740700	MASTER LED SPOT VLE D 7.5-50W MR16 930 60D	95 °C
30728500	MASTER LED spot VLE D 5.8-35W MR16 940 60D	85 °C	30742100	MASTER LED SPOT VLE D 7.5-50W MR16 940 60D	95 °C
30732200	MASTER LED SPOT VLE D 7.5-50W MR16 927 36D	95 °C			

## Ovládanie a stmievanie

Order Code	Full Product Name	Stmievatelné	Order Code	Full Product Name	Stmievatelné
30718600	MASTER LED spot VLE D 5.8-35W MR16 927 36D	Len s konkrétnymi stmievačmi	30720900	MASTER LED spot VLE D 5.8-35W MR16 930 36D	Len s konkrétnymi stmievačmi

## MASTER LEDspot LV

Order Code	Full Product Name	Stmievateľné
30722300	MASTER LED spot VLE D 5.8-35W MR16 940 36D	Len s konkrétnymi stmievačmi
30724700	MASTER LED spot VLE D 5.8-35W MR16 927 60D	Len s konkrétnymi stmievačmi
30726100	MASTER LED spot VLE D 5.8-35W MR16 930 60D	Len s konkrétnymi stmievačmi
30728500	MASTER LED spot VLE D 5.8-35W MR16 940 60D	Len s konkrétnymi stmievačmi
30732200	MASTER LED SPOT VLE D 7.5-50W MR16 927 36D	Len s konkrétnymi stmievačmi
30734600	MASTER LED SPOT VLE D 7.5-50W MR16 930 36D	Len s konkrétnymi stmievačmi

Order Code	Full Product Name	Stmievateľné
30736000	MASTER LED SPOT VLE D 7.5-50W MR16 940 36D	Len s konkrétnymi stmievačmi
35990100	MASTER LEDspotLV 3.5-20W 827 MR11 24D	Nie
30738400	MASTER LED SPOT VLE D 7.5-50W MR16 927 60D	Len s konkrétnymi stmievačmi
30740700	MASTER LED SPOT VLE D 7.5-50W MR16 930 60D	Len s konkrétnymi stmievačmi
30742100	MASTER LED SPOT VLE D 7.5-50W MR16 940 60D	Len s konkrétnymi stmievačmi

### Mechanické časti a teleso

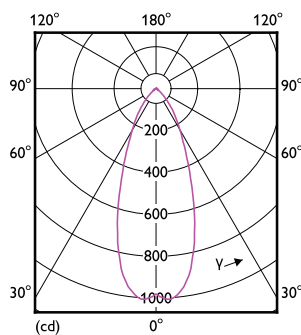
Order Code	Full Product Name	Tvar žiarovky
30718600	MASTER LED spot VLE D 5.8-35W MR16 927 36D	MR16
30720900	MASTER LED spot VLE D 5.8-35W MR16 930 36D	MR16
30722300	MASTER LED spot VLE D 5.8-35W MR16 940 36D	MR16
30724700	MASTER LED spot VLE D 5.8-35W MR16 927 60D	MR16
30726100	MASTER LED spot VLE D 5.8-35W MR16 930 60D	MR16
30728500	MASTER LED spot VLE D 5.8-35W MR16 940 60D	MR16
30732200	MASTER LED SPOT VLE D 7.5-50W MR16 927 36D	MR16

Order Code	Full Product Name	Tvar žiarovky
30734600	MASTER LED SPOT VLE D 7.5-50W MR16 930 36D	MR16
30736000	MASTER LED SPOT VLE D 7.5-50W MR16 940 36D	MR16
35990100	MASTER LEDspotLV 3.5-20W 827 MR11 24D	MR11
30738400	MASTER LED SPOT VLE D 7.5-50W MR16 927 60D	MR16
30740700	MASTER LED SPOT VLE D 7.5-50W MR16 930 60D	MR16
30742100	MASTER LED SPOT VLE D 7.5-50W MR16 940 60D	MR16

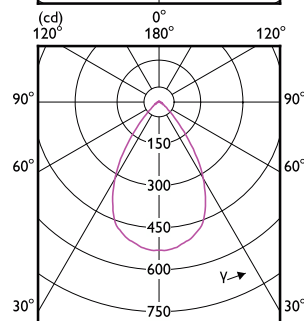
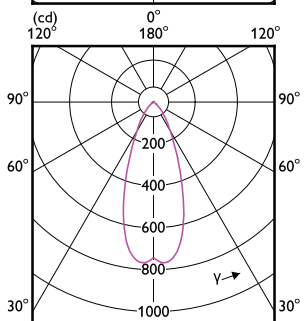
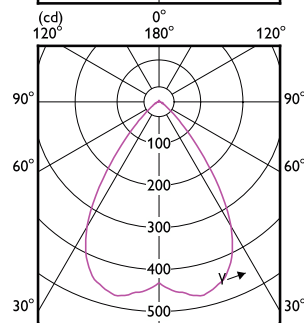
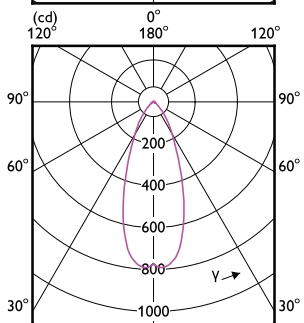
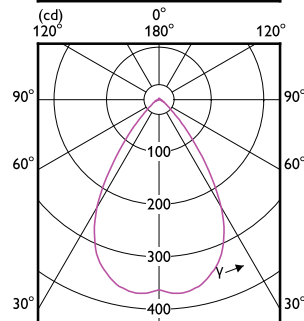
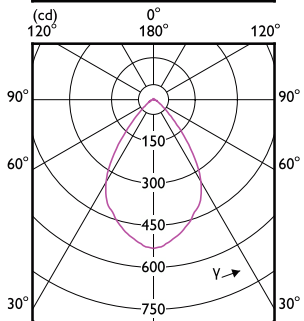
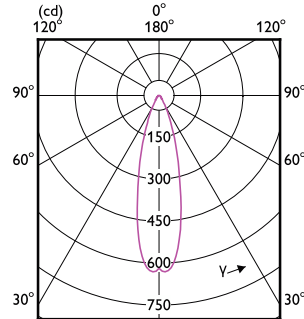
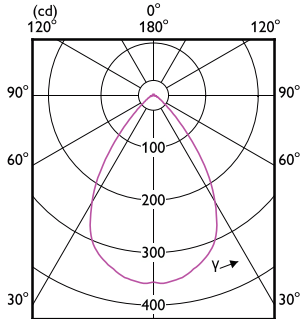
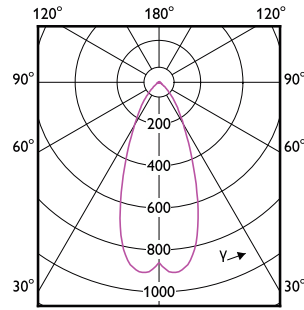
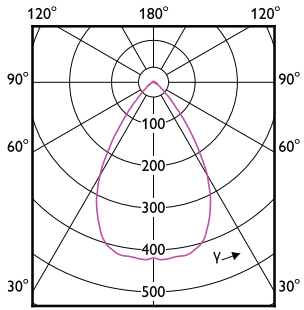
### Schválenie a použitie

Order Code	Full Product Name	Rozsah okolitých teplôt	Spotreba energie kWh/1 000 h
30718600	MASTER LED spot VLE D 5.8-35W MR16 927 36D	-20 až +40 °C	6 kWh
30720900	MASTER LED spot VLE D 5.8-35W MR16 930 36D	-20 až +40 °C	6 kWh
30722300	MASTER LED spot VLE D 5.8-35W MR16 940 36D	-20 až +40 °C	6 kWh
30724700	MASTER LED spot VLE D 5.8-35W MR16 927 60D	-20 až +40 °C	6 kWh
30726100	MASTER LED spot VLE D 5.8-35W MR16 930 60D	-20 až +40 °C	6 kWh
30728500	MASTER LED spot VLE D 5.8-35W MR16 940 60D	-20 až +40 °C	6 kWh
30732200	MASTER LED SPOT VLE D 7.5-50W MR16 927 36D	-20 až +40 °C	8 kWh
30734600	MASTER LED SPOT VLE D 7.5-50W MR16 930 36D	-20 až +40 °C	8 kWh
30736000	MASTER LED SPOT VLE D 7.5-50W MR16 940 36D	-20 až +40 °C	8 kWh
35990100	MASTER LEDspotLV 3.5-20W 827 MR11 24D	-20 až +45 °C	4 kWh
30738400	MASTER LED SPOT VLE D 7.5-50W MR16 927 60D	-20 až +40 °C	8 kWh

Order Code	Full Product Name	Rozsah okolitých teplôt	Spotreba energie kWh/1 000 h
30740700	MASTER LED SPOT VLE D 7.5-50W MR16 930 60D	-20 až +40 °C	8 kWh
30742100	MASTER LED SPOT VLE D 7.5-50W MR16 940 60D	-20 až +40 °C	8 kWh



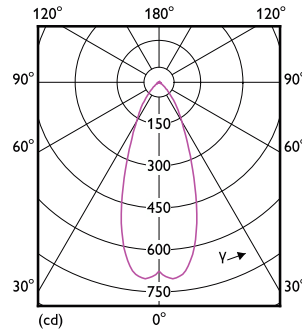
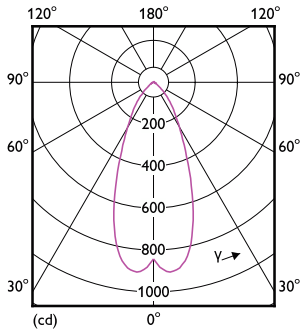
# MASTER LEDspot LV



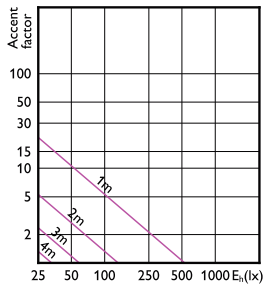
(cd) 0°

(cd) 0°

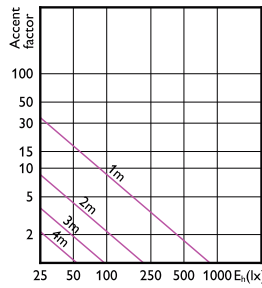
# MASTER LEDspot LV



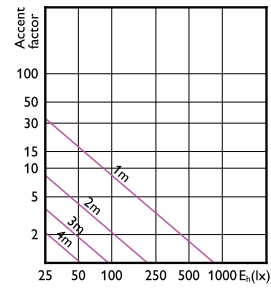
## Accent Diagrams



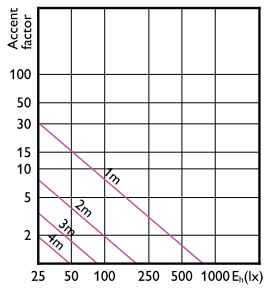
Accent Diagram - MAS LED SPOT VLE D  
7.5-50W MR16 927 60D



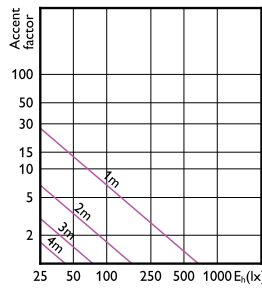
Accent Diagram - MAS LED SPOT VLE D  
7.5-50W MR16 930 36D



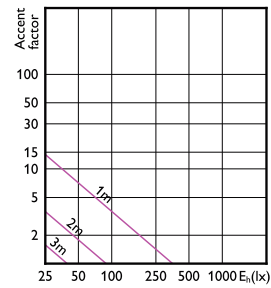
Accent Diagram - MAS LED SPOT VLE D  
7.5-50W MR16 940 36D



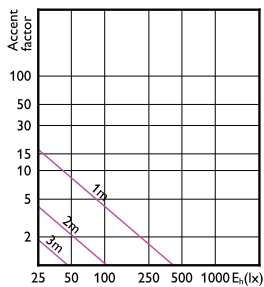
Accent Diagram - MAS LED spot VLE D 5.8-35W  
MR16 940 36D



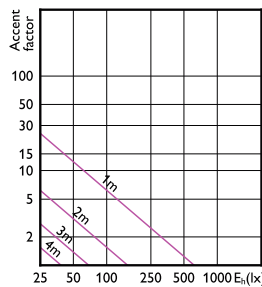
Accent Diagram - MAS LED spot VLE D 5.8-35W  
MR16 927 36D



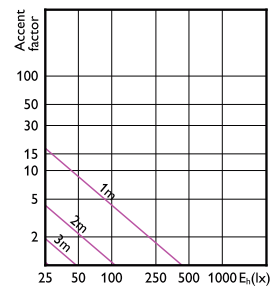
Accent Diagram - MAS LED spot VLE D 5.8-35W  
MR16 930 60D



Accent Diagram - MAS LED spot VLE D 5.8-35W  
MR16 940 60D



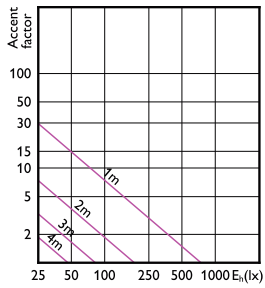
Accent Diagram - MAS LEDspotLV 3.5-20W 827  
MR11 24D



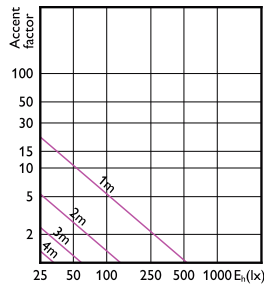
Accent Diagram - MAS LED SPOT VLE D  
7.5-50W MR16 930 60D

# MASTER LEDspot LV

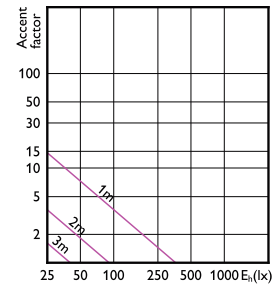
## Accent Diagrams



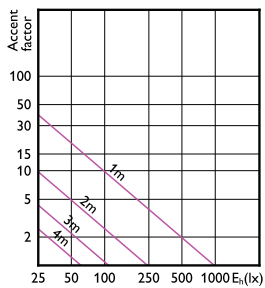
Accent Diagram - MAS LED spot VLE D 5.8-35W MR16 930 36D



Accent Diagram - MAS LED SPOT VLE D 7.5-50W MR16 940 60D

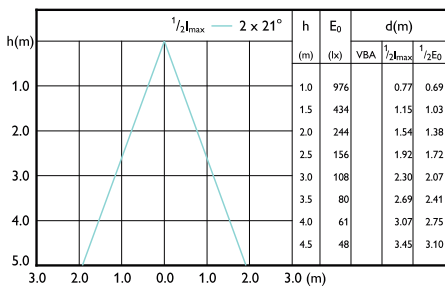


Accent Diagram - MAS LED spot VLE D 5.8-35W MR16 927 60D

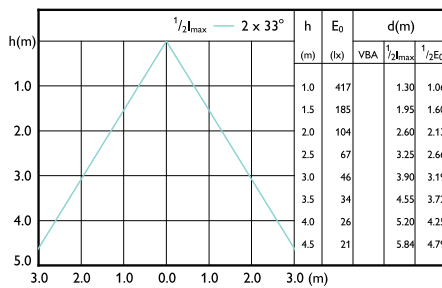


Accent Diagram - MAS LED SPOT VLE D 7.5-50W MR16 927 36D

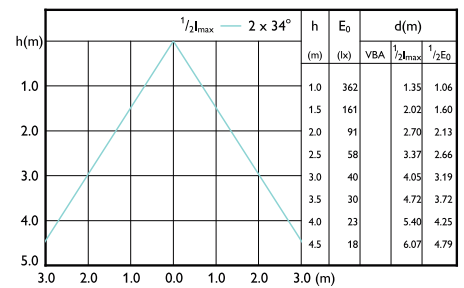
## Beam Diagrams



Beam diagram - MAS LED SPOT VLE D 7.5-50W MR16 927 36D

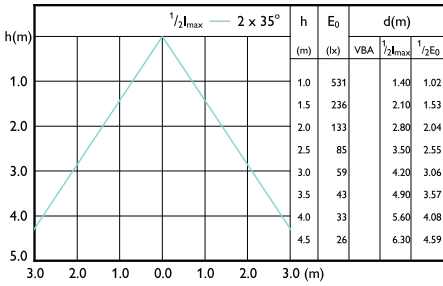


Beam diagram - MAS LED spot VLE D 5.8-35W MR16 940 60D

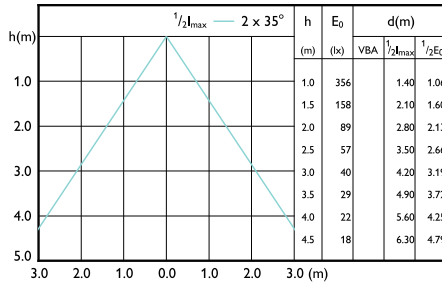


Beam diagram - MAS LED spot VLE D 5.8-35W MR16 927 60D

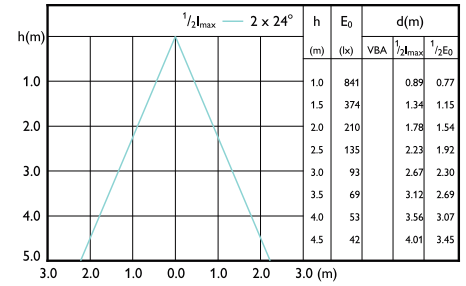
## Beam Diagrams



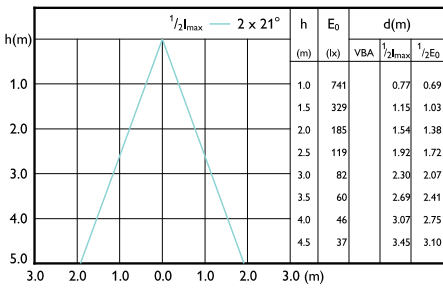
Beam diagram - MAS LED SPOT VLE D 7.5-50W  
MR16 940 60D



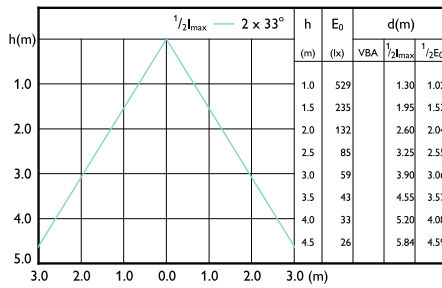
Beam diagram - MAS LED spot VLE D 5.8-35W  
MR16 930 60D



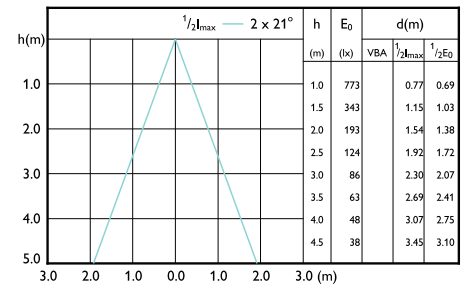
Beam diagram - MAS LED SPOT VLE D 7.5-50W  
MR16 940 36D



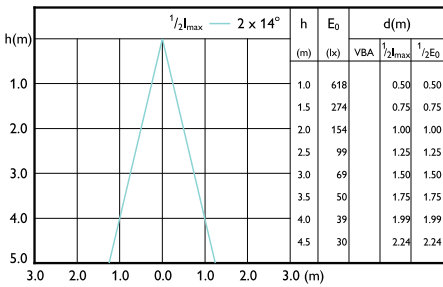
Beam diagram - MAS LED spot VLE D 5.8-35W  
MR16 930 36D



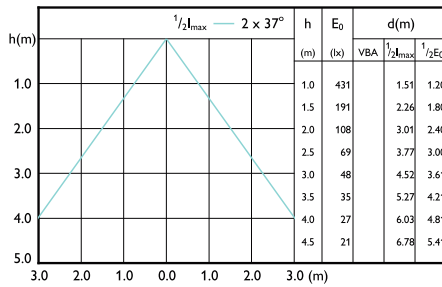
Beam diagram - MAS LED SPOT VLE D 7.5-50W  
MR16 927 60D



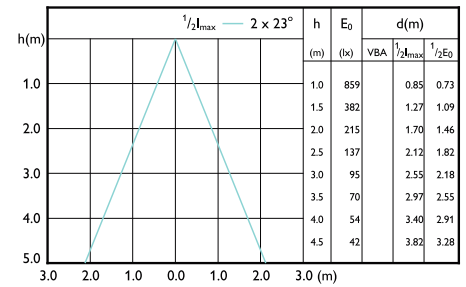
Beam diagram - MAS LED spot VLE D 5.8-35W  
MR16 940 36D



Beam diagram - MAS LEDspotLV 3.5-20W 827  
MR11 24D



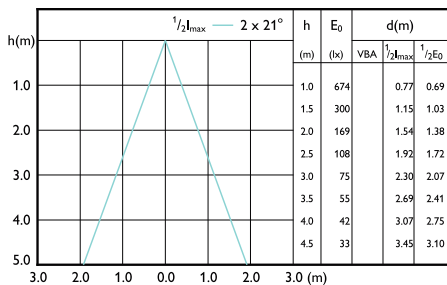
Beam diagram - MAS LED SPOT VLE D 7.5-50W  
MR16 930 60D



Beam diagram - MAS LED SPOT VLE D 7.5-50W  
MR16 930 36D

# MASTER LEDspot LV

## Beam Diagrams



Beam diagram - MAS LED spot VLE D 5.8-35W  
MR16 927 36D

