



Descrição do produto

MASTER LEDspot LV

Emitindo um feixe de acentuação quente semelhante ao das lâmpadas de halogéneo/incandescentes, a lâmpada MASTER LEDspot MR16 é uma solução para aplicações de iluminação direccionada e geral na indústria hoteleira. É particularmente adequada a zonas públicas como recepções, entradas, corredores, escadas e lavabos, em que a luz está sempre acesa. O MASTER LEDspot MR16 de design robusto apresenta um ângulo de abertura de 24° possibilitando uma difusão do feixe bem definida. O feixe não tem UV ou IR, o que o torna adequado à iluminação de objectos sensíveis ao calor (alimentos, materiais orgânicos, tintas, etc.).

Benefícios

- Luz branca quente
- Poupança de energia até 80% comparativamente a uma lâmpada de halogéneo de 20W normal

Características

- regulável (versões de 7-35 W e 10-50 W)
- controlador inteligente patentado
- mecanismo de movimento do ar (arrefecimento activo) com níveis de som muito baixos
- vida útil de 25.000 a 45.000 horas
- IRC90 (apenas MR11)

Aplicação

- Hotéis, restaurantes, bares, cafés
- Entradas, corredores, escadas, lavabos, áreas de recepção

Avisos e Segurança

- Operating temperature range is between -20° C and 45° C ambient
- Only to apply in dry or damp locations and most of open fixtures with lamp-holders that offer sufficient space (10 mm free air space)
- Not intended for use with emergency light fixtures or exit lights

MASTER LEDspot LV

Versions

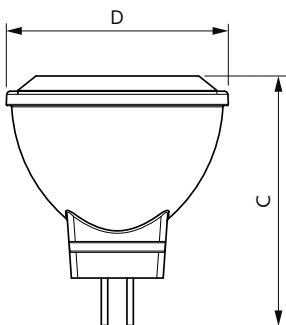
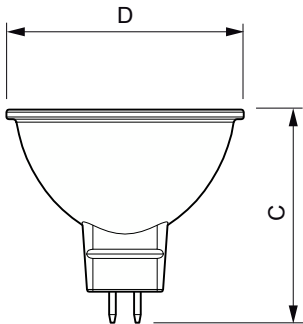


LEDspots MAS SLR 2 MR11 GU4



LEDspot MR16 GU5.3

Desenho dimensional

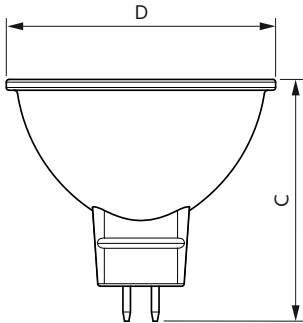


Product	D	C
MAS LED SPOT VLE D 7.5-50W MR16 927 36D	50,5 mm	45,5 mm
MAS LED SPOT VLE D 7.5-50W MR16 927 60D	50,5 mm	45,5 mm
MAS LED SPOT VLE D 7.5-50W MR16 930 36D	50,5 mm	45,5 mm
MAS LED SPOT VLE D 7.5-50W MR16 930 60D	50,5 mm	45,5 mm
MAS LED SPOT VLE D 7.5-50W MR16 940 36D	50,5 mm	45,5 mm
MAS LED SPOT VLE D 7.5-50W MR16 940 60D	50,5 mm	45,5 mm
MAS LED spot VLE D 5.8-35W MR16 927 36D	50,5 mm	45,5 mm
MAS LED spot VLE D 5.8-35W MR16 927 60D	50,5 mm	45,5 mm
MAS LED spot VLE D 5.8-35W MR16 930 36D	50,5 mm	45,5 mm
MAS LED spot VLE D 5.8-35W MR16 930 60D	50,5 mm	45,5 mm
MAS LED spot VLE D 5.8-35W MR16 940 36D	50,5 mm	45,5 mm
MAS LED spot VLE D 5.8-35W MR16 940 60D	50,5 mm	45,5 mm
MAS LEDspotLV DimTone 5.8-35W MR16 36D	50,5 mm	45,5 mm

Product	D	C
MAS LEDspotLV 3.5-20W 827 MR11 24D	35,1 mm	39,5 mm

MASTER LEDspot LV

Desenho dimensional



Product	D	C
MAS LEDspotLV DimTone 7.5-50W MR16 36D	50,5 mm	45,5 mm

Informações gerais

Ciclo de comutação	50.000
--------------------	--------

Caraterísticas técnicas da luz

LLMF no final da vida útil nominal (Nom.)	70 %
---	------

Funcionamento e caraterísticas elétricas

Frequência de entrada	- Hz
Frequência de linha	- Hz
Tempo de arranque (Nom.)	0,5 s

Características mecânicas e compartimento

Acabamento da lâmpada	Transparente
-----------------------	--------------

Informações gerais

Order Code	Full Product Name	Casquilho	Vida útil nominal
30718600	MASTER LED spot VLE D 5.8-35W MR16 927 36D	GU5.3	25.000 h
30720900	MASTER LED spot VLE D 5.8-35W MR16 930 36D	GU5.3	25.000 h
30722300	MASTER LED spot VLE D 5.8-35W MR16 940 36D	GU5.3	25.000 h
30724700	MASTER LED spot VLE D 5.8-35W MR16 927 60D	GU5.3	25.000 h
30726100	MASTER LED spot VLE D 5.8-35W MR16 930 60D	GU5.3	25.000 h
30728500	MASTER LED spot VLE D 5.8-35W MR16 940 60D	GU5.3	25.000 h
30730800	MASTER LEDspotLV DimTone 5.8-35W MR16 36D	GU5.3	25.000 h
30732200	MASTER LED SPOT VLE D 7.5-50W MR16 927 36D	GU5.3	25.000 h

Order Code	Full Product Name	Casquilho	Vida útil nominal
30734600	MASTER LED SPOT VLE D 7.5-50W MR16 930 36D	GU5.3	25.000 h
30736000	MASTER LED SPOT VLE D 7.5-50W MR16 940 36D	GU5.3	25.000 h
35990100	MASTER LEDspotLV 3.5-20W 827 MR11 24D	GU4	40.000 h
30744500	MASTER LEDspotLV DimTone 7.5-50W MR16 36D	GU5.3	25.000 h
30738400	MASTER LED SPOT VLE D 7.5-50W MR16 927 60D	GU5.3	25.000 h
30740700	MASTER LED SPOT VLE D 7.5-50W MR16 930 60D	GU5.3	25.000 h
30742100	MASTER LED SPOT VLE D 7.5-50W MR16 940 60D	GU5.3	25.000 h

Caraterísticas técnicas da luz

MASTER LEDspot LV

Order Code	Full Product Name	Ângulo do feixe (Nom.)	Temperatura de cor correlacionada (Nom.)	Índice de Restituição Cromática (IRC)	Código da cor	Fluxo Luminoso	Intensidade luminosa (Nom.)
30718600	MASTER LED spot VLE D 5.8-35W MR16 927 36D	36 °	2700 K	90	927	450 lm	1.300 cd
30720900	MASTER LED spot VLE D 5.8-35W MR16 930 36D	36 °	3000 K	90	930	460 lm	1.300 cd
30722300	MASTER LED spot VLE D 5.8-35W MR16 940 36D	36 °	4000 K	90	940	490 lm	1.200 cd
30724700	MASTER LED spot VLE D 5.8-35W MR16 927 60D	60 °	2700 K	90	927	450 lm	600 cd
30726100	MASTER LED spot VLE D 5.8-35W MR16 930 60D	60 °	3000 K	90	930	460 lm	600 cd
30728500	MASTER LED spot VLE D 5.8-35W MR16 940 60D	60 °	4000 K	90	940	490 lm	550 cd
30730800	MASTER LEDspotLV DimTone 5.8-35W MR16 36D	36 °	2200 K	90	922-927	345 lm	800 cd
30732200	MASTER LED SPOT VLE D 7.5-50W MR16 927 36D	36 °	2700 K	90	927	621 lm	1.600 cd
30734600	MASTER LED SPOT VLE D 7.5-50W MR16 930 36D	36 °	3000 K	90	930	630 lm	1.600 cd
30736000	MASTER LED SPOT VLE D 7.5-50W MR16 940 36D	36 °	4000 K	90	940	660 lm	1.500 cd
35990100	MASTER LEDspotLV 3.5-20W 827 MR11 24D	24 °	2700 K	80	827	200 lm	1.000 cd
30744500	MASTER LEDspotLV DimTone 7.5-50W MR16 36D	36 °	2200 K	90	922-927	621 lm	1.100 cd
30738400	MASTER LED SPOT VLE D 7.5-50W MR16 927 60D	60 °	2700 K	90	927	621 lm	750 cd
30740700	MASTER LED SPOT VLE D 7.5-50W MR16 930 60D	60 °	3000 K	90	930	630 lm	800 cd
30742100	MASTER LED SPOT VLE D 7.5-50W MR16 940 60D	60 °	4000 K	90	940	660 lm	770 cd

Funcionamento e características elétricas

Order Code	Full Product Name	Consumo de Energia	Potência equivalente	Order Code	Full Product Name	Consumo de Energia	Potência equivalente
30718600	MASTER LED spot VLE D 5.8-35W MR16 927 36D	5,8 W	35 W	30734600	MASTER LED SPOT VLE D 7.5-50W MR16 930 36D	7,5 W	50 W
30720900	MASTER LED spot VLE D 5.8-35W MR16 930 36D	5,8 W	35 W	30736000	MASTER LED SPOT VLE D 7.5-50W MR16 940 36D	7,5 W	50 W
30722300	MASTER LED spot VLE D 5.8-35W MR16 940 36D	5,8 W	35 W	35990100	MASTER LEDspotLV 3.5-20W 827 MR11 24D	3,5 W	20 W
30724700	MASTER LED spot VLE D 5.8-35W MR16 927 60D	5,8 W	35 W	30744500	MASTER LEDspotLV DimTone 7.5-50W MR16 36D	7,5 W	50 W
30726100	MASTER LED spot VLE D 5.8-35W MR16 930 60D	5,8 W	35 W	30738400	MASTER LED SPOT VLE D 7.5-50W MR16 927 60D	7,5 W	50 W
30728500	MASTER LED spot VLE D 5.8-35W MR16 940 60D	5,8 W	35 W	30740700	MASTER LED SPOT VLE D 7.5-50W MR16 930 60D	7,5 W	50 W
30730800	MASTER LEDspotLV DimTone 5.8-35W MR16 36D	5,8 W	35 W	30742100	MASTER LED SPOT VLE D 7.5-50W MR16 940 60D	7,5 W	50 W
30732200	MASTER LED SPOT VLE D 7.5-50W MR16 927 36D	7,5 W	50 W				

MASTER LEDspot LV

Temperatura

Order Code	Full Product Name	T-máxima na caixa (Nom)
30718600	MASTER LED spot VLE D 5.8-35W MR16 927 36D	85 °C
30720900	MASTER LED spot VLE D 5.8-35W MR16 930 36D	85 °C
30722300	MASTER LED spot VLE D 5.8-35W MR16 940 36D	85 °C
30724700	MASTER LED spot VLE D 5.8-35W MR16 927 60D	85 °C
30726100	MASTER LED spot VLE D 5.8-35W MR16 930 60D	85 °C
30728500	MASTER LED spot VLE D 5.8-35W MR16 940 60D	85 °C
30730800	MASTER LEDspotLV DimTone 5.8-35W MR16 36D	88 °C
30732200	MASTER LED SPOT VLE D 7.5-50W MR16 927 36D	95 °C

Order Code	Full Product Name	T-máxima na caixa (Nom)
30734600	MASTER LED SPOT VLE D 7.5-50W MR16 930 36D	95 °C
30736000	MASTER LED SPOT VLE D 7.5-50W MR16 940 36D	95 °C
35990100	MASTER LEDspotLV 3.5-20W 827 MR11 24D	85 °C
30744500	MASTER LEDspotLV DimTone 7.5-50W MR16 36D	95 °C
30738400	MASTER LED SPOT VLE D 7.5-50W MR16 927 60D	95 °C
30740700	MASTER LED SPOT VLE D 7.5-50W MR16 930 60D	95 °C
30742100	MASTER LED SPOT VLE D 7.5-50W MR16 940 60D	95 °C

Controlos e regulação

Order Code	Full Product Name	Regulável
30718600	MASTER LED spot VLE D 5.8-35W MR16 927 36D	Apenas com reguladores específicos
30720900	MASTER LED spot VLE D 5.8-35W MR16 930 36D	Apenas com reguladores específicos
30722300	MASTER LED spot VLE D 5.8-35W MR16 940 36D	Apenas com reguladores específicos
30724700	MASTER LED spot VLE D 5.8-35W MR16 927 60D	Apenas com reguladores específicos
30726100	MASTER LED spot VLE D 5.8-35W MR16 930 60D	Apenas com reguladores específicos
30728500	MASTER LED spot VLE D 5.8-35W MR16 940 60D	Apenas com reguladores específicos
30730800	MASTER LEDspotLV DimTone 5.8-35W MR16 36D	Apenas com reguladores específicos
30732200	MASTER LED SPOT VLE D 7.5-50W MR16 927 36D	Apenas com reguladores específicos

Order Code	Full Product Name	Regulável
30734600	MASTER LED SPOT VLE D 7.5-50W MR16 930 36D	Apenas com reguladores específicos
30736000	MASTER LED SPOT VLE D 7.5-50W MR16 940 36D	Apenas com reguladores específicos
35990100	MASTER LEDspotLV 3.5-20W 827 MR11 24D	Não
30744500	MASTER LEDspotLV DimTone 7.5-50W MR16 36D	Apenas com reguladores específicos
30738400	MASTER LED SPOT VLE D 7.5-50W MR16 927 60D	Apenas com reguladores específicos
30740700	MASTER LED SPOT VLE D 7.5-50W MR16 930 60D	Apenas com reguladores específicos
30742100	MASTER LED SPOT VLE D 7.5-50W MR16 940 60D	Apenas com reguladores específicos

Características mecânicas e compartimento

Order Code	Full Product Name	Formato da lâmpada
30718600	MASTER LED spot VLE D 5.8-35W MR16 927 36D	MR16
30720900	MASTER LED spot VLE D 5.8-35W MR16 930 36D	MR16
30722300	MASTER LED spot VLE D 5.8-35W MR16 940 36D	MR16
30724700	MASTER LED spot VLE D 5.8-35W MR16 927 60D	MR16
30726100	MASTER LED spot VLE D 5.8-35W MR16 930 60D	MR16
30728500	MASTER LED spot VLE D 5.8-35W MR16 940 60D	MR16
30730800	MASTER LEDspotLV DimTone 5.8-35W MR16 36D	MR16
30732200	MASTER LED SPOT VLE D 7.5-50W MR16 927 36D	MR16

Order Code	Full Product Name	Formato da lâmpada
30734600	MASTER LED SPOT VLE D 7.5-50W MR16 930 36D	MR16
30736000	MASTER LED SPOT VLE D 7.5-50W MR16 940 36D	MR16
35990100	MASTER LEDspotLV 3.5-20W 827 MR11 24D	MR11
30744500	MASTER LEDspotLV DimTone 7.5-50W MR16 36D	MR16
30738400	MASTER LED SPOT VLE D 7.5-50W MR16 927 60D	MR16
30740700	MASTER LED SPOT VLE D 7.5-50W MR16 930 60D	MR16
30742100	MASTER LED SPOT VLE D 7.5-50W MR16 940 60D	MR16

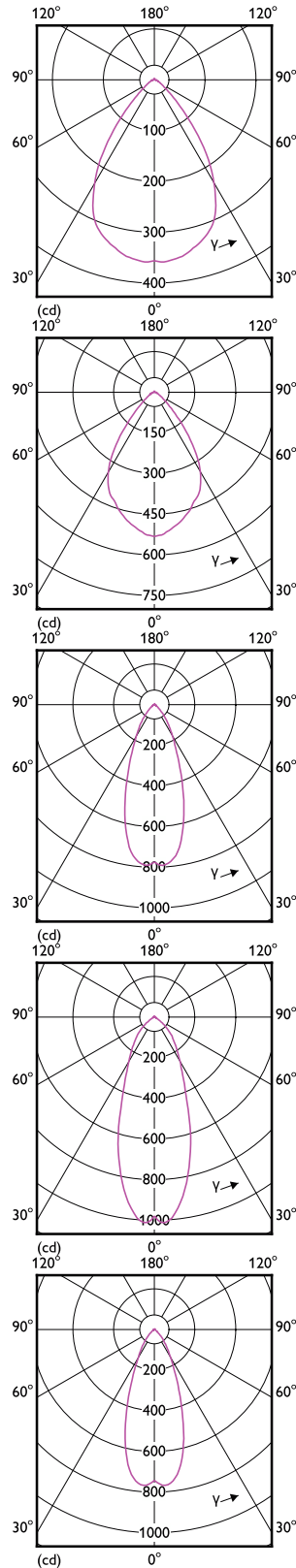
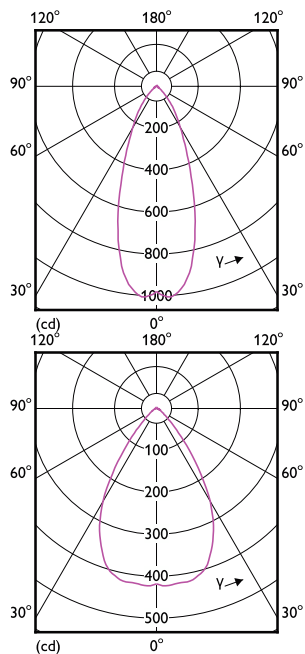
Aprovação e aplicação

Order Code	Full Product Name	Intervalo de temperatura ambiente	Consumo de energia kWh/1000 h
30718600	MASTER LED spot VLE D 5.8-35W MR16 927 36D	-20 a +40 °C	6 kWh

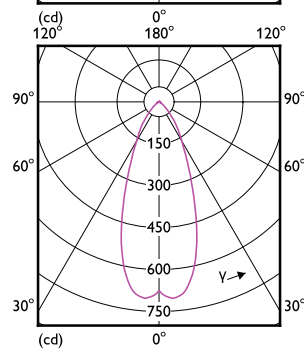
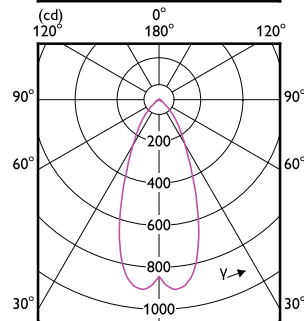
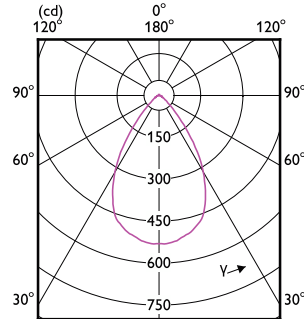
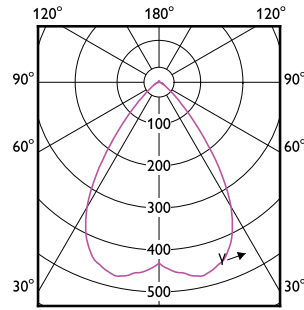
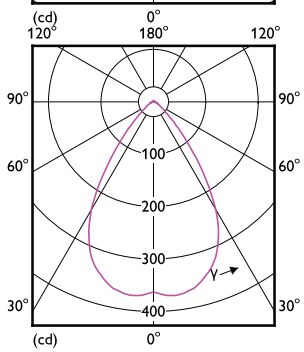
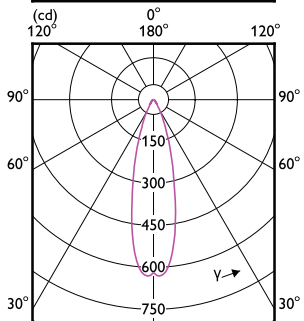
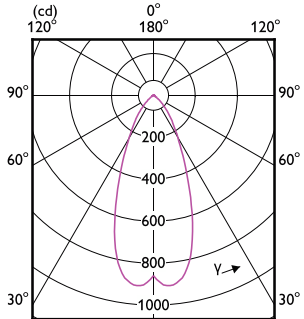
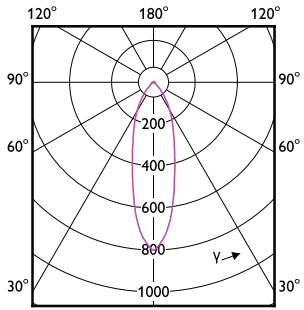
Order Code	Full Product Name	Intervalo de temperatura ambiente	Consumo de energia kWh/1000 h
30720900	MASTER LED spot VLE D 5.8-35W MR16 930 36D	-20 a +40 °C	6 kWh

MASTER LEDspot LV

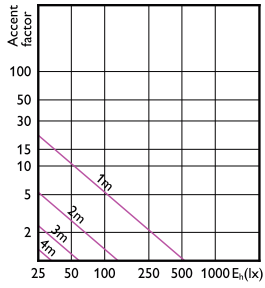
Order Code	Full Product Name	Intervalo de temperatura ambiente	Consumo de energia kWh/1000 h
30722300	MASTER LED spot VLE D 5.8-35W MR16 940 36D	-20 a +40 °C	6 kWh
30724700	MASTER LED spot VLE D 5.8-35W MR16 927 60D	-20 a +40 °C	6 kWh
30726100	MASTER LED spot VLE D 5.8-35W MR16 930 60D	-20 a +40 °C	6 kWh
30728500	MASTER LED spot VLE D 5.8-35W MR16 940 60D	-20 a +40 °C	6 kWh
30730800	MASTER LEDspotLV DimTone 5.8-35W MR16 36D	-20 a +40 °C	6 kWh
30732200	MASTER LED SPOT VLE D 7.5-50W MR16 927 36D	-20 a +40 °C	8 kWh
30734600	MASTER LED SPOT VLE D 7.5-50W MR16 930 36D	-20 a +40 °C	8 kWh
30736000	MASTER LED SPOT VLE D 7.5-50W MR16 940 36D	-20 a +40 °C	8 kWh
35990100	MASTER LEDspotLV 3.5-20W 827 MR11 24D	-20 a +45 °C	4 kWh
30744500	MASTER LEDspotLV DimTone 7.5-50W MR16 36D	-20 a +40 °C	8 kWh
30738400	MASTER LED SPOT VLE D 7.5-50W MR16 927 60D	-20 a +40 °C	8 kWh
30740700	MASTER LED SPOT VLE D 7.5-50W MR16 930 60D	-20 a +40 °C	8 kWh
30742100	MASTER LED SPOT VLE D 7.5-50W MR16 940 60D	-20 a +40 °C	8 kWh



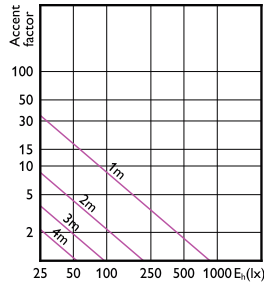
MASTER LEDspot LV



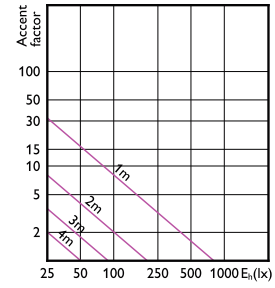
Accent Diagrams



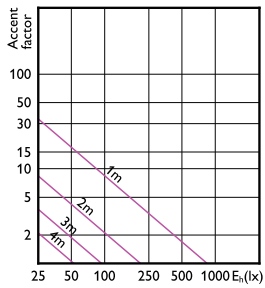
Accent Diagram - MAS LED SPOT VLE D
7.5-50W MR16 927 60D



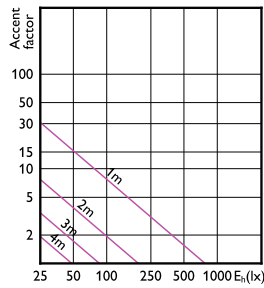
Accent Diagram - MAS LED SPOT VLE D
7.5-50W MR16 930 36D



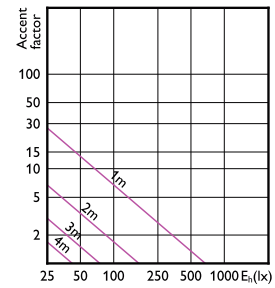
Accent Diagram - MAS LEDspotLV DimTone
5.8-35W MR16 36D



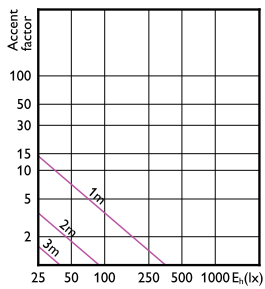
Accent Diagram - MAS LED SPOT VLE D
7.5-50W MR16 940 36D



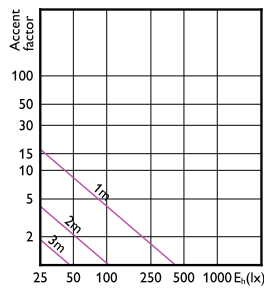
Accent Diagram - MAS LED spot VLE D 5.8-35W
MR16 940 36D



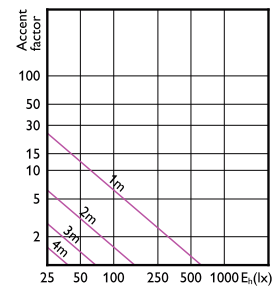
Accent Diagram - MAS LED spot VLE D 5.8-35W
MR16 927 36D



Accent Diagram - MAS LED spot VLE D 5.8-35W
MR16 930 60D

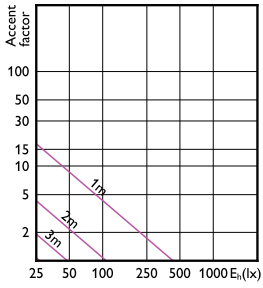


Accent Diagram - MAS LED spot VLE D 5.8-35W
MR16 940 60D

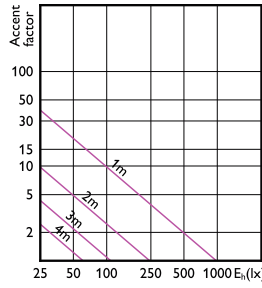


Accent Diagram - MAS LEDspotLV 3.5-20W 827
MR11 24D

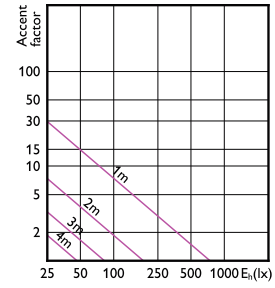
Accent Diagrams



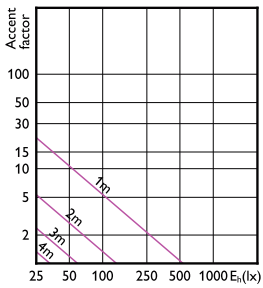
Accent Diagram - MAS LED SPOT VLE D
7.5-50W MR16 930 60D



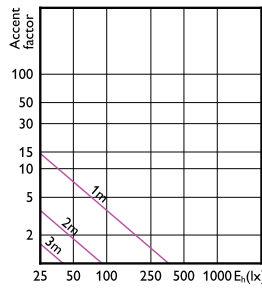
Accent Diagram - MAS LEDspotLV DimTone
7.5-50W MR16 36D



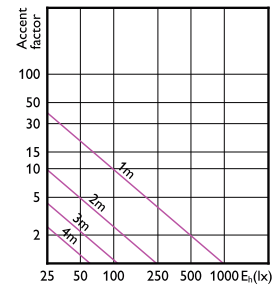
Accent Diagram - MAS LED spot VLE D 5.8-35W
MR16 930 36D



Accent Diagram - MAS LED SPOT VLE D
7.5-50W MR16 940 60D

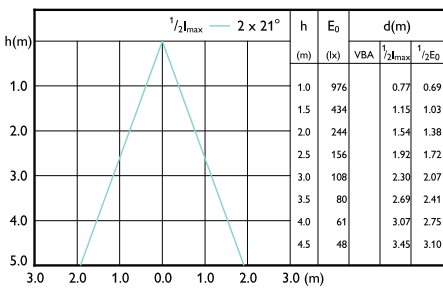


Accent Diagram - MAS LED spot VLE D 5.8-35W
MR16 927 60D

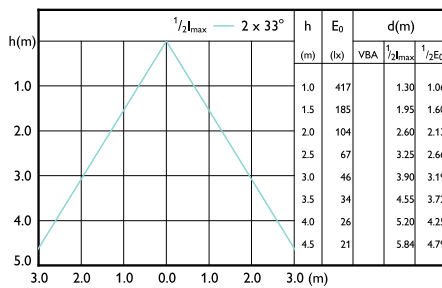


Accent Diagram - MAS LED SPOT VLE D
7.5-50W MR16 927 36D

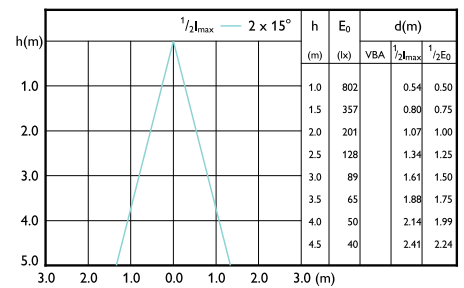
Beam Diagrams



Beam diagram - MAS LED SPOT VLE D 7.5-50W
MR16 927 36D

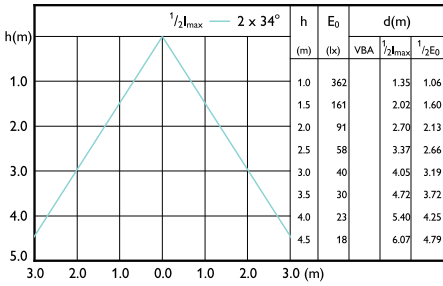


Beam diagram - MAS LED spot VLE D 5.8-35W
MR16 940 60D

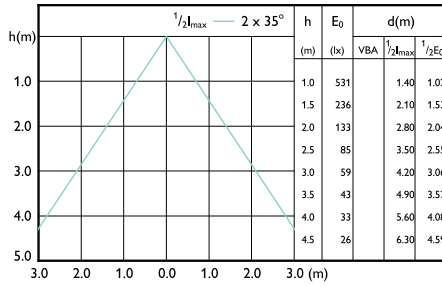


Beam diagram - MAS LEDspotLV DimTone
5.8-35W MR16 36D

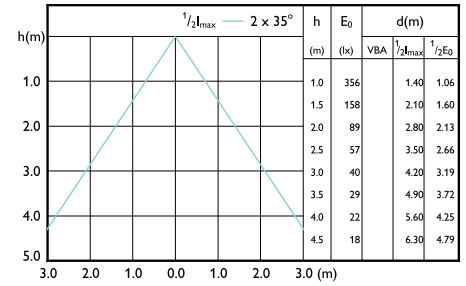
Beam Diagrams



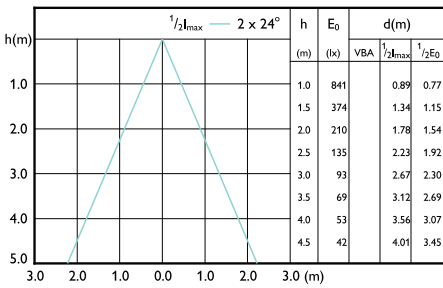
Beam diagram - MAS LED spot VLE D 5.8-35W MR16 927 60D



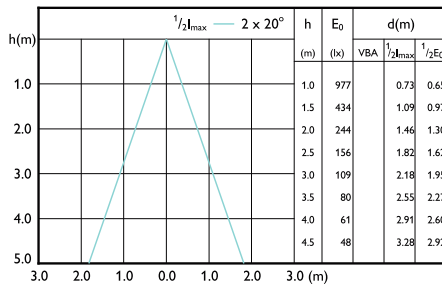
Beam diagram - MAS LED SPOT VLE D 7.5-50W MR16 940 60D



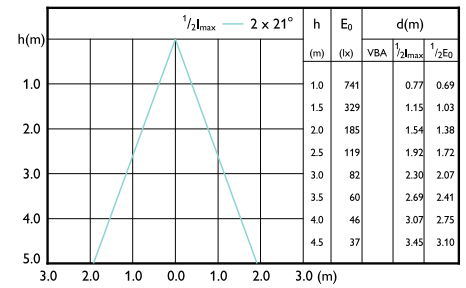
Beam diagram - MAS LED spot VLE D 5.8-35W MR16 930 60D



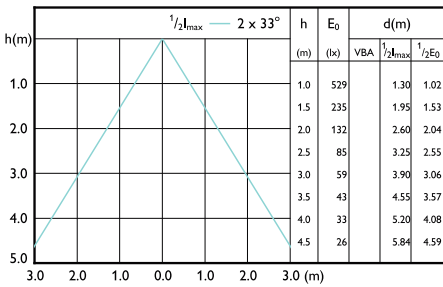
Beam diagram - MAS LED SPOT VLE D 7.5-50W MR16 940 36D



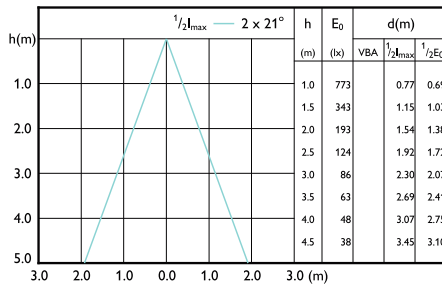
Beam diagram - MAS LEDspotLV DimTone 7.5-50W MR16 36D



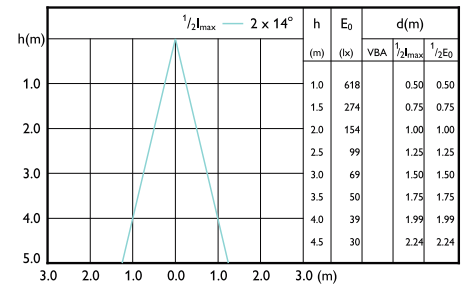
Beam diagram - MAS LED spot VLE D 5.8-35W MR16 930 36D



Beam diagram - MAS LED SPOT VLE D 7.5-50W MR16 927 60D

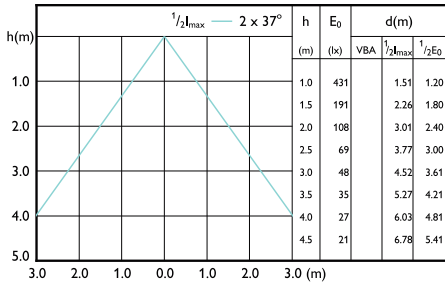


Beam diagram - MAS LED spot VLE D 5.8-35W MR16 940 36D

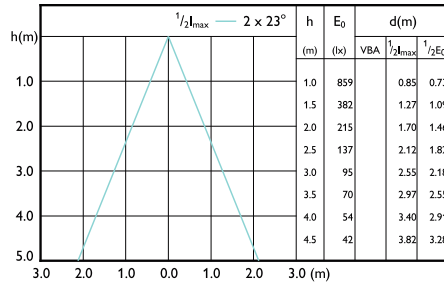


Beam diagram - MAS LEDspotLV 3.5-20W 827 MR11 24D

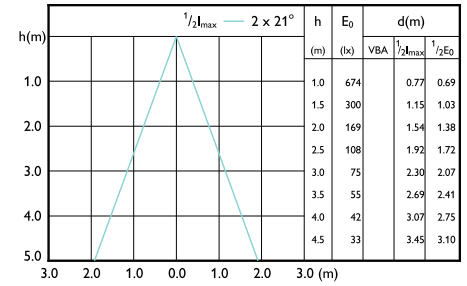
Beam Diagrams



Beam diagram - MAS LED SPOT VLE D 7.5-50W
MR16 930 60D



Beam diagram - MAS LED SPOT VLE D 7.5-50W
MR16 930 36D



Beam diagram - MAS LED spot VLE D 5.8-35W
MR16 927 36D

