



# Den ideelle løsningen for spotbelysning

## MASTER VALUE LED-spot LV

Philips MASTER VALUE MR16 er en 12V LED-erstatning for halogenlamper, utviklet for maksimal kompatibilitet med vanlige elektroniske transformatorer. Den gir samme lysstyrke som en 50 W halogen og har identisk formfaktor for enkel utskifting.

### Fordeler

- Bred kompatibilitet med transformatorer
- Bred kompatibilitet med transformatorer
- Kan ettermonteres i stedet for MR16-lavspenningshalogenlamper med GU5.3-sokkel

### Funksjoner

- Dimmeområde
- Patentert intelligent driver
- Luftbevegelsesmekanisme (aktiv viftekjøling) med svært lavt lydnivå
- Levetid på 25 000
- Den kjølige lyskjeglen uten UV eller IR er godt egnet for å belyse varmesensitive objekter (mat, organiske materialer, malerier og så videre).

### Søknad

- Ideell for aksentbelysning i hoteller, sykehus, butikker og museer (f.eks. gulv, heiser, utstillinger)

### Warnings and safety

- Driftstemperatur ligger mellom -20 °C og 45 °C
- Gjelder kun for tørre eller fuktige steder, og de fleste åpne armaturer med holdere som har ekstra plass (10 mm ledig luftrom)
- Ikke til bruk i nødlys eller exit lys (som markerer utgang)

# MASTER VALUE LED-spot LV

## Versions

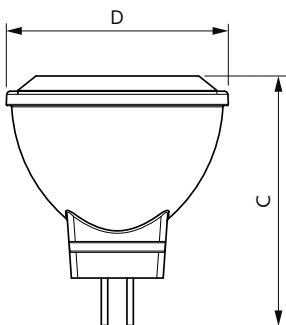
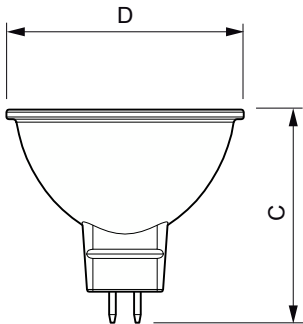


LEDspots MAS SLR 2 MR11 GU4



LEDspot MR16 GU5.3

## Målskisse

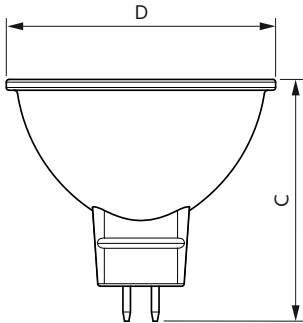


Product	D	C
MAS LED SPOT VLE D 7.5-50W MR16 927 36D	50,5 mm	45,5 mm
MAS LED SPOT VLE D 7.5-50W MR16 927 60D	50,5 mm	45,5 mm
MAS LED SPOT VLE D 7.5-50W MR16 930 36D	50,5 mm	45,5 mm
MAS LED SPOT VLE D 7.5-50W MR16 930 60D	50,5 mm	45,5 mm
MAS LED SPOT VLE D 7.5-50W MR16 940 36D	50,5 mm	45,5 mm
MAS LED SPOT VLE D 7.5-50W MR16 940 60D	50,5 mm	45,5 mm
MAS LED spot VLE D 5.8-35W MR16 927 36D	50,5 mm	45,5 mm
MAS LED spot VLE D 5.8-35W MR16 927 60D	50,5 mm	45,5 mm
MAS LED spot VLE D 5.8-35W MR16 930 36D	50,5 mm	45,5 mm
MAS LED spot VLE D 5.8-35W MR16 930 60D	50,5 mm	45,5 mm
MAS LED spot VLE D 5.8-35W MR16 940 36D	50,5 mm	45,5 mm
MAS LED spot VLE D 5.8-35W MR16 940 60D	50,5 mm	45,5 mm
MAS LEDspotLV DimTone 5.8-35W MR16 36D	50,5 mm	45,5 mm

Product	D	C
MAS LEDspotLV 3.5-20W 827 MR11 24D	35,1 mm	39,5 mm

# MASTER VALUE LED-spot LV

## Målskisse



Product	D	C
MAS LEDspotLV DimTone 7.5-50W MR16 36D	50,5 mm	45,5 mm

### Generell informasjon

Brytersyklus	50 000
--------------	--------

### Teknisk belysning

Nominell vedlikeholdsfaktor for lyskildelumen ved utgangen av nominell levetid (nom.)	70 %
---	------

### Drift og elektronikk

Inngangsfrekvens	- Hz
Line Frequency	- Hz
Starttid (nom.)	0,5 s

## Generell informasjon

Order Code	Full Product Name	Sokkelbase	Nominell levetid
929002492502	MAS LED spot VLE D 5.8-35W MR16 927 36D	GU5.3	25 000 time(r)
929002492602	MAS LED spot VLE D 5.8-35W MR16 930 36D	GU5.3	25 000 time(r)
929002492702	MAS LED spot VLE D 5.8-35W MR16 940 36D	GU5.3	25 000 time(r)
929002492802	MAS LED spot VLE D 5.8-35W MR16 927 60D	GU5.3	25 000 time(r)
929002492902	MAS LED spot VLE D 5.8-35W MR16 930 60D	GU5.3	25 000 time(r)
929002493002	MAS LED spot VLE D 5.8-35W MR16 940 60D	GU5.3	25 000 time(r)
929002493102	MAS LEDspotLV DimTone 5.8-35W MR16 36D	GU5.3	25 000 time(r)
929002493202	MAS LED SPOT VLE D 7.5-50W MR16 927 36D	GU5.3	25 000 time(r)

Order Code	Full Product Name	Sokkelbase	Nominell levetid
929002493302	MAS LED SPOT VLE D 7.5-50W MR16 930 36D	GU5.3	25 000 time(r)
929002493402	MAS LED SPOT VLE D 7.5-50W MR16 940 36D	GU5.3	25 000 time(r)
929003087002	MAS LEDspotLV 3.5-20W 827 MR11 24D	GU4	40 000 time(r)
929002493802	MAS LEDspotLV DimTone 7.5-50W MR16 36D	GU5.3	25 000 time(r)
929002493502	MAS LED SPOT VLE D 7.5-50W MR16 927 60D	GU5.3	25 000 time(r)
929002493602	MAS LED SPOT VLE D 7.5-50W MR16 930 60D	GU5.3	25 000 time(r)
929002493702	MAS LED SPOT VLE D 7.5-50W MR16 940 60D	GU5.3	25 000 time(r)

## Teknisk belysning

## MASTER VALUE LED-spot LV

Order Code	Full Product Name	Spredningsvinkel (nom.)	Korrelert fargetemperatur (nom.)	Fargegjengivelsesindeks (CRI)	Lysytelse		Lysintensitet (nom.)
					Fargekode	Lysytelse	
929002492502	MAS LED spot VLE D 5.8-35W MR16 927 36D	36 grad(er)	2700 K	90	927	450 lm	1 300 cd
929002492602	MAS LED spot VLE D 5.8-35W MR16 930 36D	36 grad(er)	3000 K	90	930	460 lm	1 300 cd
929002492702	MAS LED spot VLE D 5.8-35W MR16 940 36D	36 grad(er)	4000 K	90	940	490 lm	1 200 cd
929002492802	MAS LED spot VLE D 5.8-35W MR16 927 60D	60 grad(er)	2700 K	90	927	450 lm	600 cd
929002492902	MAS LED spot VLE D 5.8-35W MR16 930 60D	60 grad(er)	3000 K	90	930	460 lm	600 cd
929002493002	MAS LED spot VLE D 5.8-35W MR16 940 60D	60 grad(er)	4000 K	90	940	490 lm	550 cd
929002493102	MAS LEDspotLV DimTone 5.8-35W MR16 36D	36 grad(er)	2200 K	90	922-927	345 lm	800 cd
929002493202	MAS LED SPOT VLE D 7.5-50W MR16 927 36D	36 grad(er)	2700 K	90	927	621 lm	1 600 cd
929002493302	MAS LED SPOT VLE D 7.5-50W MR16 930 36D	36 grad(er)	3000 K	90	930	630 lm	1 600 cd
929002493402	MAS LED SPOT VLE D 7.5-50W MR16 940 36D	36 grad(er)	4000 K	90	940	660 lm	1 500 cd
929003087002	MAS LEDspotLV 3.5-20W 827 MR11 24D	24 grad(er)	2700 K	80	827	200 lm	1 000 cd
929002493802	MAS LEDspotLV DimTone 7.5-50W MR16 36D	36 grad(er)	2200 K	90	922-927	621 lm	1 100 cd
929002493502	MAS LED SPOT VLE D 7.5-50W MR16 927 60D	60 grad(er)	2700 K	90	927	621 lm	750 cd
929002493602	MAS LED SPOT VLE D 7.5-50W MR16 930 60D	60 grad(er)	3000 K	90	930	630 lm	800 cd
929002493702	MAS LED SPOT VLE D 7.5-50W MR16 940 60D	60 grad(er)	4000 K	90	940	660 lm	770 cd

### Drift og elektronikk

Order Code	Full Product Name	Effekten som		Order Code	Full Product Name	Effekten som	
		Effektforbruk	tilsvarer			Effektforbruk	tilsvarer
929002492502	MAS LED spot VLE D 5.8-35W MR16 927 36D	5,8 W	35 W	929002493302	MAS LED SPOT VLE D 7.5-50W MR16 930 36D	7,5 W	50 W
929002492602	MAS LED spot VLE D 5.8-35W MR16 930 36D	5,8 W	35 W	929002493402	MAS LED SPOT VLE D 7.5-50W MR16 940 36D	7,5 W	50 W
929002492702	MAS LED spot VLE D 5.8-35W MR16 940 36D	5,8 W	35 W	929003087002	MAS LEDspotLV 3.5-20W 827 MR11 24D	3,5 W	20 W
929002492802	MAS LED spot VLE D 5.8-35W MR16 927 60D	5,8 W	35 W	929002493802	MAS LEDspotLV DimTone 7.5-50W MR16 36D	7,5 W	50 W
929002492902	MAS LED spot VLE D 5.8-35W MR16 930 60D	5,8 W	35 W	929002493502	MAS LED SPOT VLE D 7.5-50W MR16 927 60D	7,5 W	50 W
929002493002	MAS LED spot VLE D 5.8-35W MR16 940 60D	5,8 W	35 W	929002493602	MAS LED SPOT VLE D 7.5-50W MR16 930 60D	7,5 W	50 W
929002493102	MAS LEDspotLV DimTone 5.8-35W MR16 36D	5,8 W	35 W	929002493702	MAS LED SPOT VLE D 7.5-50W MR16 940 60D	7,5 W	50 W
929002493202	MAS LED SPOT VLE D 7.5-50W MR16 927 36D	7,5 W	50 W				

# MASTER VALUE LED-spot LV

## Temperatur

Order Code	Full Product Name	Maksimal temperatur for innfatningen (nom.)
929002492502	MAS LED spot VLE D 5.8-35W MR16 927 36D	85 °C
929002492602	MAS LED spot VLE D 5.8-35W MR16 930 36D	85 °C
929002492702	MAS LED spot VLE D 5.8-35W MR16 940 36D	85 °C
929002492802	MAS LED spot VLE D 5.8-35W MR16 927 60D	85 °C
929002492902	MAS LED spot VLE D 5.8-35W MR16 930 60D	85 °C
929002493002	MAS LED spot VLE D 5.8-35W MR16 940 60D	85 °C
929002493102	MAS LEDspotLV DimTone 5.8-35W MR16 36D	88 °C
929002493202	MAS LED SPOT VLE D 7.5-50W MR16 927 36D	95 °C

Order Code	Full Product Name	Maksimal temperatur for innfatningen (nom.)
929002493302	MAS LED SPOT VLE D 7.5-50W MR16 930 36D	95 °C
929002493402	MAS LED SPOT VLE D 7.5-50W MR16 940 36D	95 °C
929003087002	MAS LEDspotLV 3.5-20W 827 MR11 24D	85 °C
929002493802	MAS LEDspotLV DimTone 7.5-50W MR16 36D	95 °C
929002493502	MAS LED SPOT VLE D 7.5-50W MR16 927 60D	95 °C
929002493602	MAS LED SPOT VLE D 7.5-50W MR16 930 60D	95 °C
929002493702	MAS LED SPOT VLE D 7.5-50W MR16 940 60D	95 °C

## Kontroller og dimming

Order Code	Full Product Name	Kan dimmes
929002492502	MAS LED spot VLE D 5.8-35W MR16 927 36D	Kun med bestemte dimmere
929002492602	MAS LED spot VLE D 5.8-35W MR16 930 36D	Kun med bestemte dimmere
929002492702	MAS LED spot VLE D 5.8-35W MR16 940 36D	Kun med bestemte dimmere
929002492802	MAS LED spot VLE D 5.8-35W MR16 927 60D	Kun med bestemte dimmere
929002492902	MAS LED spot VLE D 5.8-35W MR16 930 60D	Kun med bestemte dimmere
929002493002	MAS LED spot VLE D 5.8-35W MR16 940 60D	Kun med bestemte dimmere
929002493102	MAS LEDspotLV DimTone 5.8-35W MR16 36D	Kun med bestemte dimmere
929002493202	MAS LED SPOT VLE D 7.5-50W MR16 927 36D	Kun med bestemte dimmere

Order Code	Full Product Name	Kan dimmes
929002493302	MAS LED SPOT VLE D 7.5-50W MR16 930 36D	Kun med bestemte dimmere
929002493402	MAS LED SPOT VLE D 7.5-50W MR16 940 36D	Kun med bestemte dimmere
929003087002	MAS LEDspotLV 3.5-20W 827 MR11 24D	Nei
929002493802	MAS LEDspotLV DimTone 7.5-50W MR16 36D	Kun med bestemte dimmere
929002493502	MAS LED SPOT VLE D 7.5-50W MR16 927 60D	Kun med bestemte dimmere
929002493602	MAS LED SPOT VLE D 7.5-50W MR16 930 60D	Kun med bestemte dimmere
929002493702	MAS LED SPOT VLE D 7.5-50W MR16 940 60D	Kun med bestemte dimmere

## Mekanikk og innfatning

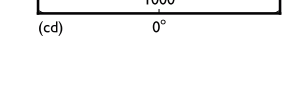
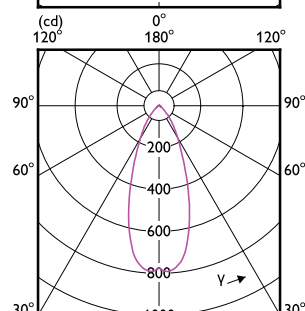
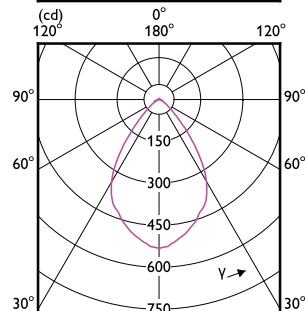
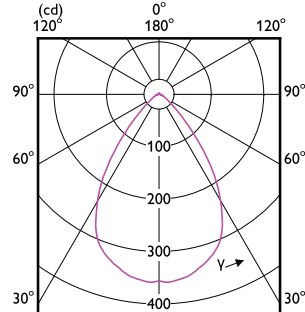
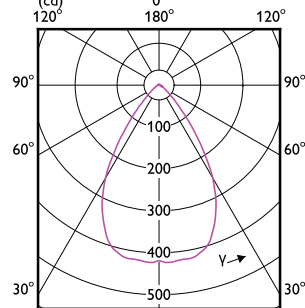
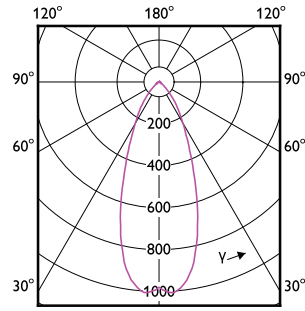
Order Code	Full Product Name	Lyspæreoverflate	Lyspæreform
929002492502	MAS LED spot VLE D 5.8-35W MR16 927 36D	Matt	MR16
929002492602	MAS LED spot VLE D 5.8-35W MR16 930 36D	Matt	MR16
929002492702	MAS LED spot VLE D 5.8-35W MR16 940 36D	Matt	MR16
929002492802	MAS LED spot VLE D 5.8-35W MR16 927 60D	Matt	MR16
929002492902	MAS LED spot VLE D 5.8-35W MR16 930 60D	Matt	MR16
929002493002	MAS LED spot VLE D 5.8-35W MR16 940 60D	Matt	MR16
929002493102	MAS LEDspotLV DimTone 5.8-35W MR16 36D	Matt	MR16
929002493202	MAS LED SPOT VLE D 7.5-50W MR16 927 36D	Matt	MR16

Order Code	Full Product Name	Lyspæreoverflate	Lyspæreform
929002493302	MAS LED SPOT VLE D 7.5-50W MR16 930 36D	Matt	MR16
929002493402	MAS LED SPOT VLE D 7.5-50W MR16 940 36D	Matt	MR16
929003087002	MAS LEDspotLV 3.5-20W 827 MR11 24D	-	MR11
929002493802	MAS LEDspotLV DimTone 7.5-50W MR16 36D	Matt	MR16
929002493502	MAS LED SPOT VLE D 7.5-50W MR16 927 60D	Matt	MR16
929002493602	MAS LED SPOT VLE D 7.5-50W MR16 930 60D	Matt	MR16
929002493702	MAS LED SPOT VLE D 7.5-50W MR16 940 60D	Matt	MR16

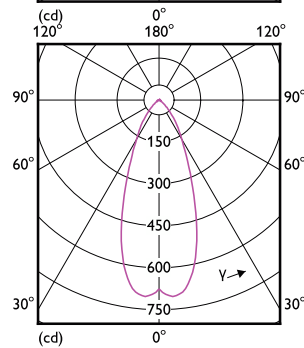
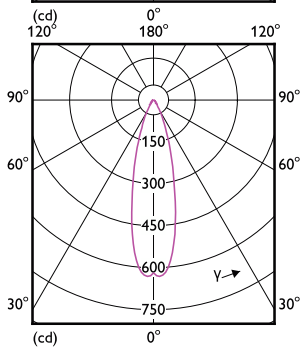
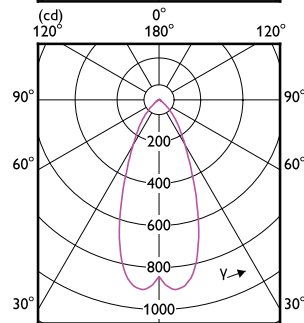
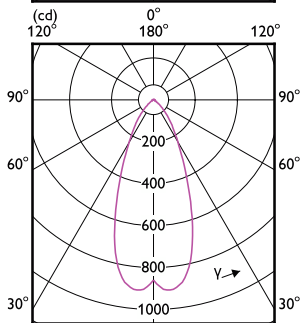
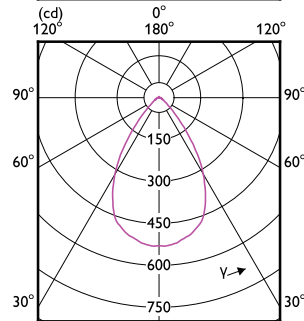
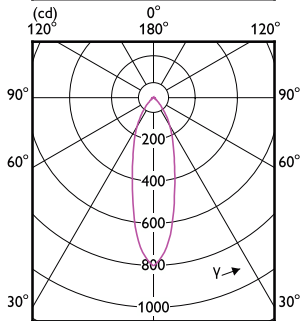
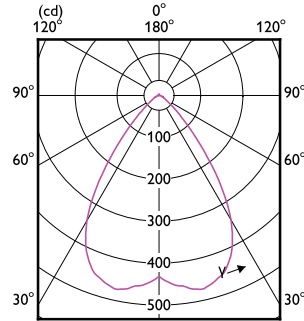
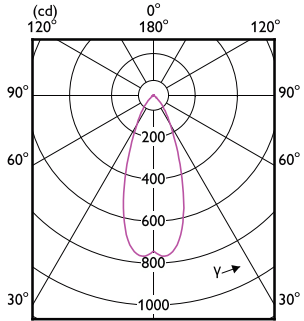
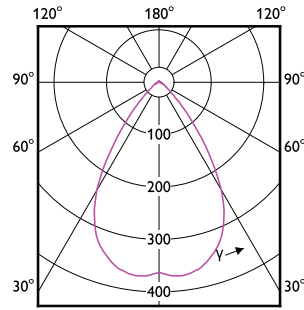
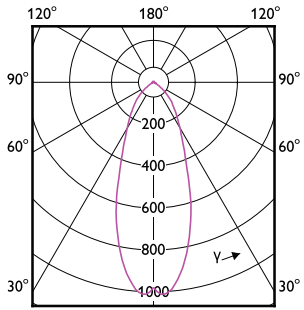
# MASTER VALUE LED-spot LV

## Godkjenning og bruksområde

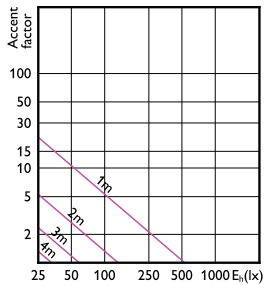
Order Code	Full Product Name	For omgivelsestemperaturer mellom	Energiforbruk kWh/1000 t
929002492502	MAS LED spot VLE D 5.8-35W MR16 927 36D	-20 til +40 °C	6 kWh
929002492602	MAS LED spot VLE D 5.8-35W MR16 930 36D	-20 til +40 °C	6 kWh
929002492702	MAS LED spot VLE D 5.8-35W MR16 940 36D	-20 til +40 °C	6 kWh
929002492802	MAS LED spot VLE D 5.8-35W MR16 927 60D	-20 til +40 °C	6 kWh
929002492902	MAS LED spot VLE D 5.8-35W MR16 930 60D	-20 til +40 °C	6 kWh
929002493002	MAS LED spot VLE D 5.8-35W MR16 940 60D	-20 til +40 °C	6 kWh
929002493102	MAS LEDspotLV DimTone 5.8-35W MR16 36D	-20 til +40 °C	6 kWh
929002493202	MAS LED SPOT VLE D 7.5-50W MR16 927 36D	-20 til +40 °C	8 kWh
929002493302	MAS LED SPOT VLE D 7.5-50W MR16 930 36D	-20 til +40 °C	8 kWh
929002493402	MAS LED SPOT VLE D 7.5-50W MR16 940 36D	-20 til +40 °C	8 kWh
929003087002	MAS LEDspotLV 3.5-20W 827 MR11 24D	-20 til +45 °C	4 kWh
929002493802	MAS LEDspotLV DimTone 7.5-50W MR16 36D	-20 til +40 °C	8 kWh
929002493502	MAS LED SPOT VLE D 7.5-50W MR16 927 60D	-20 til +40 °C	8 kWh
929002493602	MAS LED SPOT VLE D 7.5-50W MR16 930 60D	-20 til +40 °C	8 kWh
929002493702	MAS LED SPOT VLE D 7.5-50W MR16 940 60D	-20 til +40 °C	8 kWh



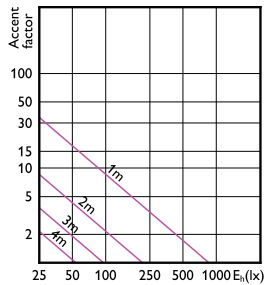
# MASTER VALUE LED-spot LV



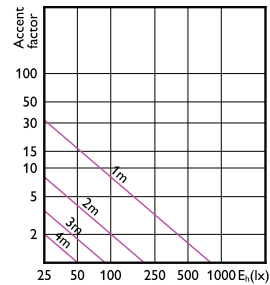
## Accent Diagrams



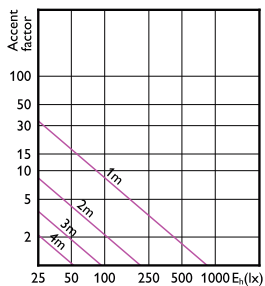
Accent Diagram - MAS LED SPOT VLE D  
7.5-50W MR16 927 60D



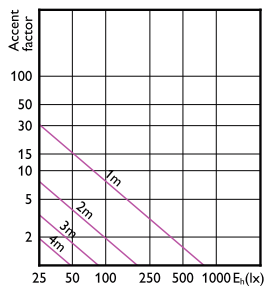
Accent Diagram - MAS LED SPOT VLE D  
7.5-50W MR16 930 36D



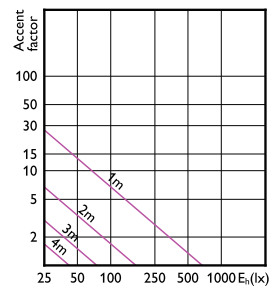
Accent Diagram - MAS LEDspotLV DimTone  
5.8-35W MR16 36D



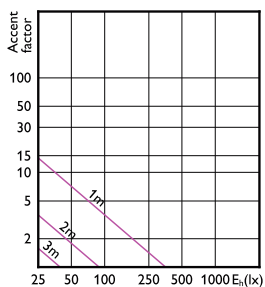
Accent Diagram - MAS LED SPOT VLE D  
7.5-50W MR16 940 36D



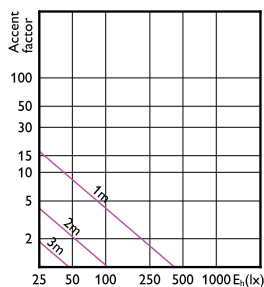
Accent Diagram - MAS LED spot VLE D 5.8-35W  
MR16 940 36D



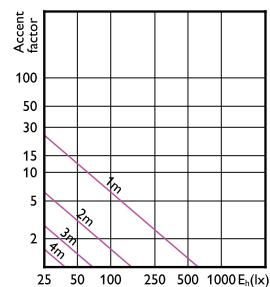
Accent Diagram - MAS LED spot VLE D 5.8-35W  
MR16 927 36D



Accent Diagram - MAS LED spot VLE D 5.8-35W  
MR16 930 60D



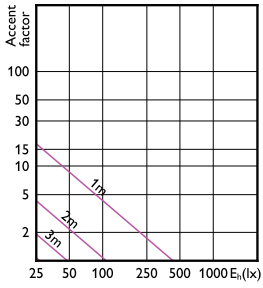
Accent Diagram - MAS LED spot VLE D 5.8-35W  
MR16 940 60D



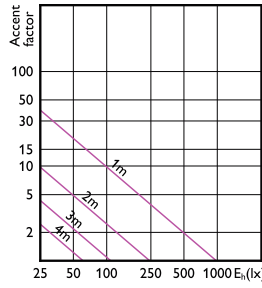
Accent Diagram - MAS LEDspotLV 3.5-20W 827  
MR11 24D

# MASTER VALUE LED-spot LV

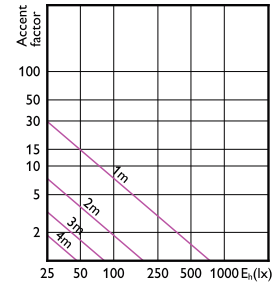
## Accent Diagrams



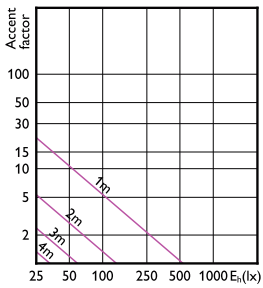
Accent Diagram - MAS LED SPOT VLE D  
7.5-50W MR16 930 60D



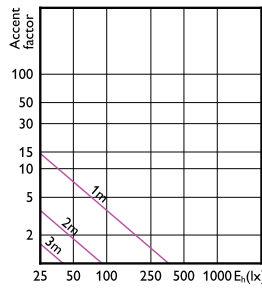
Accent Diagram - MAS LEDspotLV DimTone  
7.5-50W MR16 36D



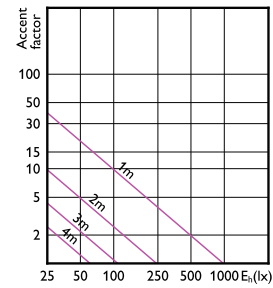
Accent Diagram - MAS LED spot VLE D 5.8-35W  
MR16 930 36D



Accent Diagram - MAS LED SPOT VLE D  
7.5-50W MR16 940 60D

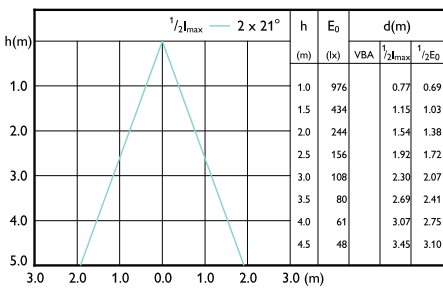


Accent Diagram - MAS LED spot VLE D 5.8-35W  
MR16 927 60D

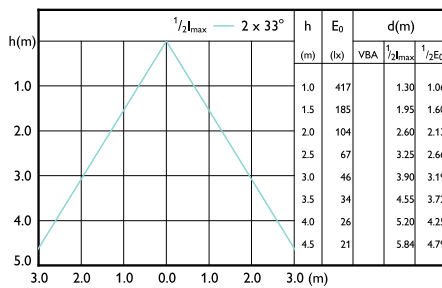


Accent Diagram - MAS LED SPOT VLE D  
7.5-50W MR16 927 36D

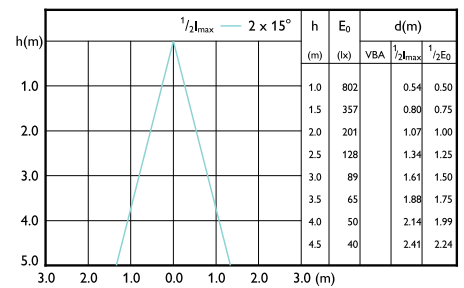
## Beam Diagrams



Beam diagram - MAS LED SPOT VLE D 7.5-50W  
MR16 927 36D



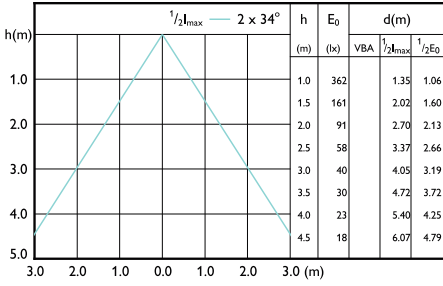
Beam diagram - MAS LED spot VLE D 5.8-35W  
MR16 940 60D



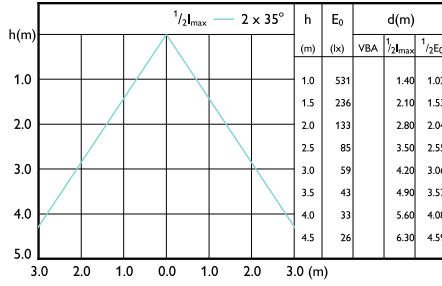
Beam diagram - MAS LEDspotLV DimTone  
5.8-35W MR16 36D

# MASTER VALUE LED-spot LV

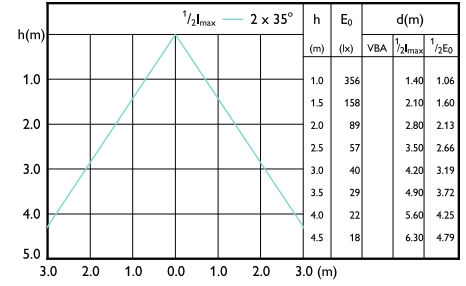
## Beam Diagrams



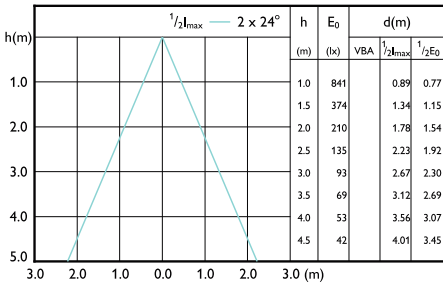
Beam diagram - MAS LED spot VLE D 5.8-35W MR16 927 60D



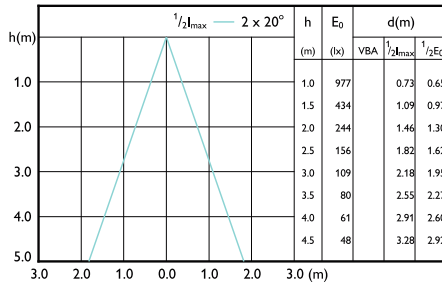
Beam diagram - MAS LED SPOT VLE D 7.5-50W MR16 940 60D



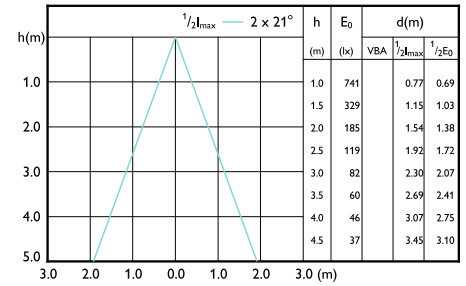
Beam diagram - MAS LED spot VLE D 5.8-35W MR16 930 60D



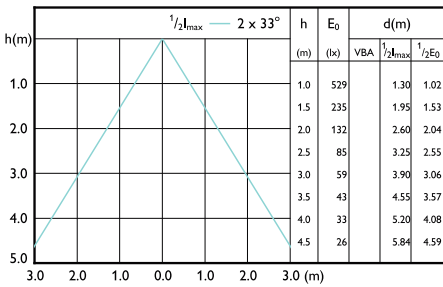
Beam diagram - MAS LED SPOT VLE D 7.5-50W MR16 940 36D



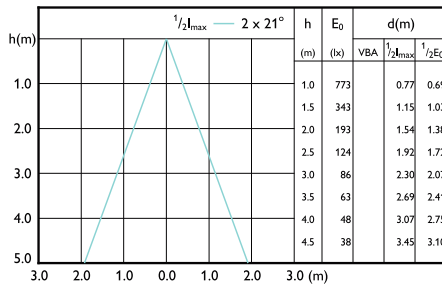
Beam diagram - MAS LEDspotLV DimTone 7.5-50W MR16 36D



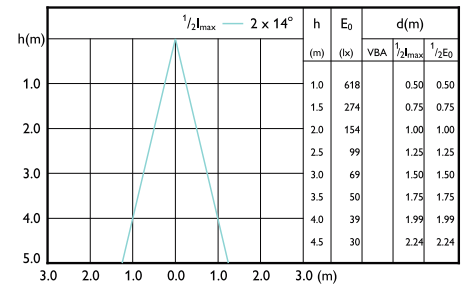
Beam diagram - MAS LED spot VLE D 5.8-35W MR16 930 36D



Beam diagram - MAS LED SPOT VLE D 7.5-50W MR16 927 60D



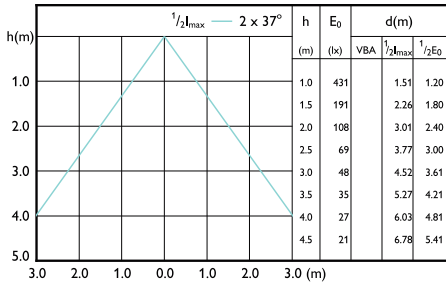
Beam diagram - MAS LED spot VLE D 5.8-35W MR16 940 36D



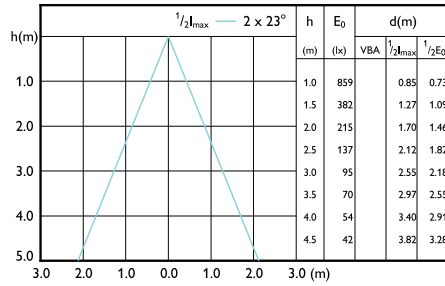
Beam diagram - MAS LEDspotLV 3.5-20W 827 MR11 24D

# MASTER VALUE LED-spot LV

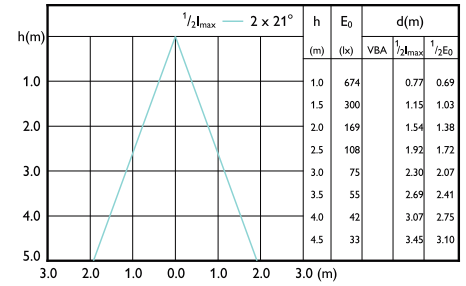
## Beam Diagrams



Beam diagram - MAS LED SPOT VLE D 7.5-50W  
MR16 930 60D



Beam diagram - MAS LED SPOT VLE D 7.5-50W  
MR16 930 36D



Beam diagram - MAS LED spot VLE D 5.8-35W  
MR16 927 36D

