



The ideal solution for spot-lighting

MASTER VALUE LED spot LV

Philips MASTER VALUE MR16 is the series of Low Voltage (12 VAC) Halogen MR16 replacements. Not only does it employ Philips' patented solution to guarantee the broadest possible compatibility with standard 12 V Halogen electronic transformers, it also delivers beam intensity which is equivalent to the 50 W Philips Halogen MR16 lamps. The form-factor of Philips MASTER Value LED MR16 guarantees a 100% form on the back-side of the lamp (exact fit with Halogen lamps.)

Benefits

- Up to 80% energy saving compared with halogen lamp
- Broad compatibility with transformers
- Retrofittable with low-voltage MR16 halogen lamps with GU5.3 socket

Features

- Dimmable range
- Patented intelligent driver
- Air movement mechanism (active fan cooling) with very low sound levels
- Lifetime of 25,000 hours
- No UV and Cool Beam (no IR), making it suitable for illuminating heat-sensitive objects (food, organic materials, paintings, etc.)

Application

- Ideal for accent lighting in hotels, hospitals, shops and museums (e.g. floors, elevators, displays)

Warnings and Safety

- Operating temperature range is between -20° C and 45° C ambient
- Only to apply in dry or damp locations and most of open fixtures with lamp-holders that offer sufficient space (10 mm free air space)
- Not intended for use with emergency light fixtures or exit lights

MASTER VALUE LED spot LV

Versions

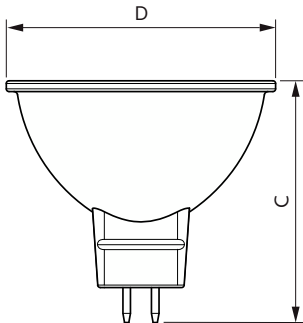
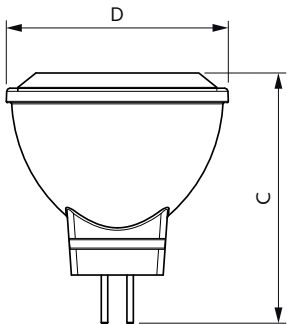
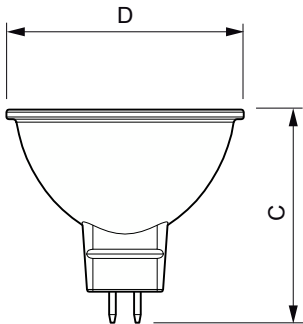


LEDspots MAS SLR 2 MR11 GU4



LEDspot MR16 GU5.3

Dimensional drawing



Product	D	C
MAS LED SPOT VLE D 7.5-50W MR16 927 36D	50.5 mm	45.5 mm
MAS LED SPOT VLE D 7.5-50W MR16 930 36D	50.5 mm	45.5 mm
MAS LED SPOT VLE D 7.5-50W MR16 940 36D	50.5 mm	45.5 mm
MAS LED spot VLE D 5.8-35W MR16 927 36D	50.5 mm	45.5 mm
MAS LED spot VLE D 5.8-35W MR16 930 36D	50.5 mm	45.5 mm
MAS LED spot VLE D 5.8-35W MR16 940 36D	50.5 mm	45.5 mm
MAS LEDspotLV DimTone 5.8-35W MR16 36D	50.5 mm	45.5 mm

Product	D	C
MAS LEDspotLV 3.5-20W 827 MR11 24D	35.1 mm	39.5 mm

Product	D	C
MAS LEDspotLV DimTone 7.5-50W MR16 36D	50.5 mm	45.5 mm

MASTER VALUE LED spot LV

General Information

Switching Cycle 50,000

Light Technical

LLMF at end of nominal lifetime (nom.) 70 %

Operating and Electrical

Input frequency - Hz

Line Frequency - Hz

Starting time (nom.) 0.5 s

General Information

Order Code	Full Product Name	Cap base	Nominal lifetime
929002492502	MAS LED spot VLE D 5.8-35W MR16 927 36D	GU5.3	25,000 h
929002492602	MAS LED spot VLE D 5.8-35W MR16 930 36D	GU5.3	25,000 h
929002492702	MAS LED spot VLE D 5.8-35W MR16 940 36D	GU5.3	25,000 h
929002493102	MAS LEDspotLV DimTone 5.8-35W MR16 36D	GU5.3	25,000 h
929002493202	MAS LED SPOT VLE D 7.5-50W MR16 927 36D	GU5.3	25,000 h

Order Code	Full Product Name	Cap base	Nominal lifetime
929002493302	MAS LED SPOT VLE D 7.5-50W MR16 930 36D	GU5.3	25,000 h
929002493402	MAS LED SPOT VLE D 7.5-50W MR16 940 36D	GU5.3	25,000 h
929003087002	MAS LEDspotLV 3.5-20W 827 MR11 24D	GU4	40,000 h
929002493802	MAS LEDspotLV DimTone 7.5-50W MR16 36D	GU5.3	25,000 h

Light Technical

Order Code	Full Product Name	Beam angle (nom.)	Correlated Colour		Colour rendering index		Luminous intensity	
			Temperature (Nom)	(CRI)	Colour Code	Luminous Flux (nom.)		
929002492502	MAS LED spot VLE D 5.8-35W MR16 927 36D	36 degree(s)	2700 K	90	927	450 lm	1,300 cd	
929002492602	MAS LED spot VLE D 5.8-35W MR16 930 36D	36 degree(s)	3000 K	90	930	460 lm	1,300 cd	
929002492702	MAS LED spot VLE D 5.8-35W MR16 940 36D	36 degree(s)	4000 K	90	940	490 lm	1,200 cd	
929002493102	MAS LEDspotLV DimTone 5.8-35W MR16 36D	36 degree(s)	2200 K	90	922-927	345 lm	800 cd	
929002493202	MAS LED SPOT VLE D 7.5-50W MR16 927 36D	36 degree(s)	2700 K	90	927	621 lm	1,600 cd	
929002493302	MAS LED SPOT VLE D 7.5-50W MR16 930 36D	36 degree(s)	3000 K	90	930	630 lm	1,600 cd	
929002493402	MAS LED SPOT VLE D 7.5-50W MR16 940 36D	36 degree(s)	4000 K	90	940	660 lm	1,500 cd	
929003087002	MAS LEDspotLV 3.5-20W 827 MR11 24D	24 degree(s)	2700 K	80	827	200 lm	1,000 cd	
929002493802	MAS LEDspotLV DimTone 7.5-50W MR16 36D	36 degree(s)	2200 K	90	922-927	621 lm	1,100 cd	

Operating and Electrical

Order Code	Full Product Name	Power Consumption	Wattage equivalent
929002492502	MAS LED spot VLE D 5.8-35W MR16 927 36D	5.8 W	35 W
929002492602	MAS LED spot VLE D 5.8-35W MR16 930 36D	5.8 W	35 W
929002492702	MAS LED spot VLE D 5.8-35W MR16 940 36D	5.8 W	35 W

Order Code	Full Product Name	Power Consumption	Wattage equivalent
929002493102	MAS LEDspotLV DimTone 5.8-35W MR16 36D	5.8 W	35 W
929002493202	MAS LED SPOT VLE D 7.5-50W MR16 927 36D	7.5 W	50 W
929002493302	MAS LED SPOT VLE D 7.5-50W MR16 930 36D	7.5 W	50 W

MASTER VALUE LED spot LV

Order Code	Full Product Name	Power	Wattage
		Consumption	equivalent
929002493402	MAS LED SPOT VLE D 7.5-50W MR16 940 36D	7.5 W	50 W
929003087002	MAS LEDspotLV 3.5-20W 827 MR11 24D	3.5 W	20 W

Order Code	Full Product Name	Power	Wattage
		Consumption	equivalent
929002493802	MAS LEDspotLV DimTone 7.5-50W MR16 36D	7.5 W	50 W

Temperature

Order Code	Full Product Name	T-Case maximum (nom.)
929002492502	MAS LED spot VLE D 5.8-35W MR16 927 36D	85 °C
929002492602	MAS LED spot VLE D 5.8-35W MR16 930 36D	85 °C
929002492702	MAS LED spot VLE D 5.8-35W MR16 940 36D	85 °C
929002493102	MAS LEDspotLV DimTone 5.8-35W MR16 36D	88 °C
929002493202	MAS LED SPOT VLE D 7.5-50W MR16 927 36D	95 °C

Order Code	Full Product Name	T-Case maximum (nom.)
929002493302	MAS LED SPOT VLE D 7.5-50W MR16 930 36D	95 °C
929002493402	MAS LED SPOT VLE D 7.5-50W MR16 940 36D	95 °C
929003087002	MAS LEDspotLV 3.5-20W 827 MR11 24D	85 °C
929002493802	MAS LEDspotLV DimTone 7.5-50W MR16 36D	95 °C

Controls and Dimming

Order Code	Full Product Name	Dimmable
929002492502	MAS LED spot VLE D 5.8-35W MR16 927 36D	Only with specific dimmers
929002492602	MAS LED spot VLE D 5.8-35W MR16 930 36D	Only with specific dimmers
929002492702	MAS LED spot VLE D 5.8-35W MR16 940 36D	Only with specific dimmers
929002493102	MAS LEDspotLV DimTone 5.8-35W MR16 36D	Only with specific dimmers
929002493202	MAS LED SPOT VLE D 7.5-50W MR16 927 36D	Only with specific dimmers

Order Code	Full Product Name	Dimmable
929002493302	MAS LED SPOT VLE D 7.5-50W MR16 930 36D	Only with specific dimmers
929002493402	MAS LED SPOT VLE D 7.5-50W MR16 940 36D	Only with specific dimmers
929003087002	MAS LEDspotLV 3.5-20W 827 MR11 24D	No
929002493802	MAS LEDspotLV DimTone 7.5-50W MR16 36D	Only with specific dimmers

Mechanical and Housing

Order Code	Full Product Name	Lamp	Bulb
		Finish	shape
929002492502	MAS LED spot VLE D 5.8-35W MR16 927 36D	Clear	MR16
929002492602	MAS LED spot VLE D 5.8-35W MR16 930 36D	Clear	MR16
929002492702	MAS LED spot VLE D 5.8-35W MR16 940 36D	Clear	MR16
929002493102	MAS LEDspotLV DimTone 5.8-35W MR16 36D	Clear	MR16
929002493202	MAS LED SPOT VLE D 7.5-50W MR16 927 36D	Clear	MR16
929002493302	MAS LED SPOT VLE D 7.5-50W MR16 930 36D	Clear	MR16

Order Code	Full Product Name	Lamp	Bulb
		Finish	shape
929002493402	MAS LED SPOT VLE D 7.5-50W MR16 940 36D	Clear	MR16
929003087002	MAS LEDspotLV 3.5-20W 827 MR11 24D	-	MR11
929002493802	MAS LEDspotLV DimTone 7.5-50W MR16 36D	Clear	MR16

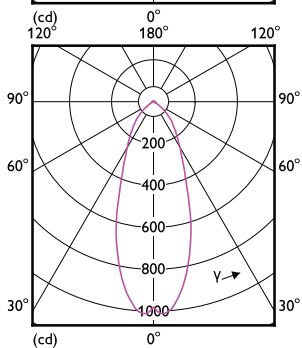
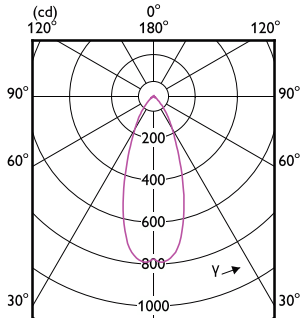
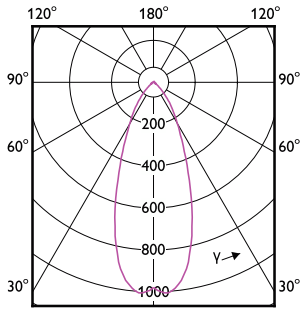
Approval and Application

Order Code	Full Product Name	Ambient	Energy
		temperature range	consumption kWh/1,000 hours
929002492502	MAS LED spot VLE D 5.8-35W MR16 927 36D	-20 to +40 °C	6 kWh

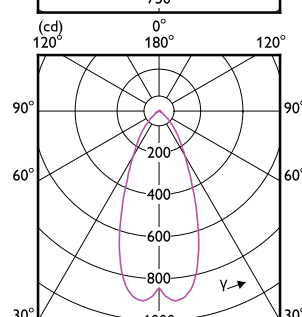
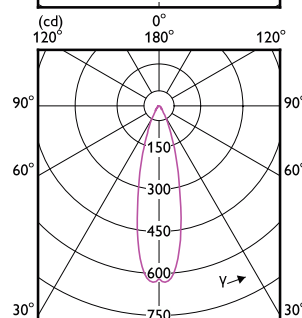
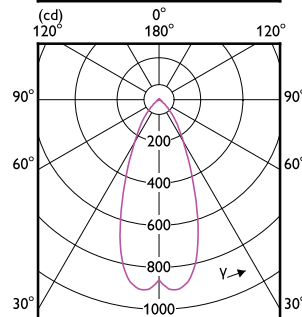
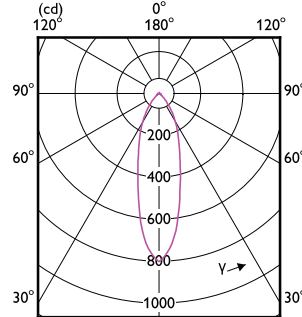
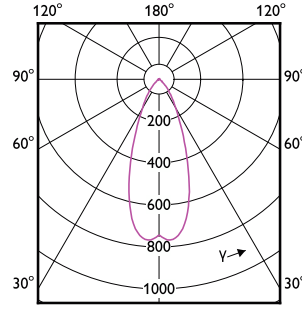
Order Code	Full Product Name	Ambient	Energy
		temperature range	consumption kWh/1,000 hours
929002492602	MAS LED spot VLE D 5.8-35W MR16 930 36D	-20 to +40 °C	6 kWh

MASTER VALUE LED spot LV

Order Code	Full Product Name	Ambient temperature range	Energy consumption kWh/1,000 hours
929002492702	MAS LED spot VLE D 5.8-35W MR16 940 36D	-20 to +40 °C	6 kWh
929002493102	MAS LEDspotLV DimTone 5.8-35W MR16 36D	-20 to +40 °C	6 kWh
929002493202	MAS LED SPOT VLE D 7.5-50W MR16 927 36D	-20 to +40 °C	8 kWh
929002493302	MAS LED SPOT VLE D 7.5-50W MR16 930 36D	-20 to +40 °C	8 kWh
929002493402	MAS LED SPOT VLE D 7.5-50W MR16 940 36D	-20 to +40 °C	8 kWh
929003087002	MAS LEDspotLV 3.5-20W 827 MR11 24D	-20 to +45 °C	4 kWh
929002493802	MAS LEDspotLV DimTone 7.5-50W MR16 36D	-20 to +40 °C	8 kWh

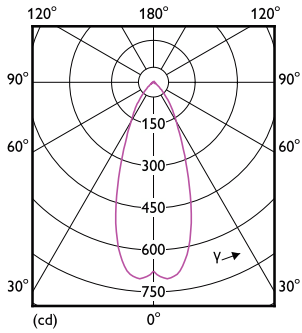


(cd) 0°

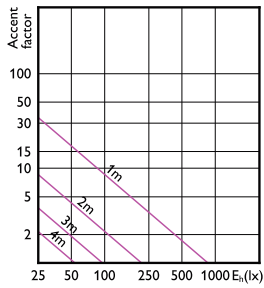


(cd) 0°

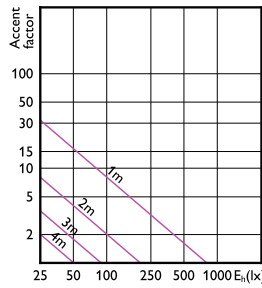
MASTER VALUE LED spot LV



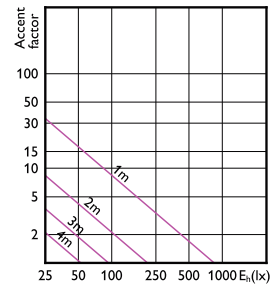
Accent Diagrams



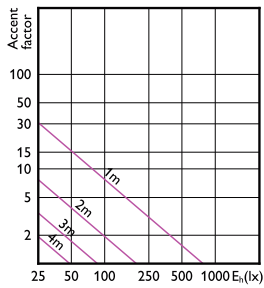
Accent Diagram - MAS LED SPOT VLE D
7.5-50W MR16 930 36D



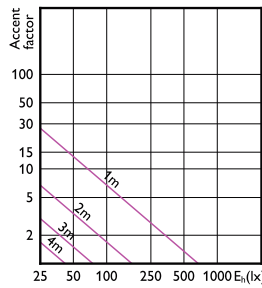
Accent Diagram - MAS LEDspotLV DimTone
5.8-35W MR16 36D



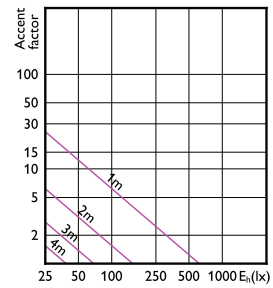
Accent Diagram - MAS LED SPOT VLE D
7.5-50W MR16 940 36D



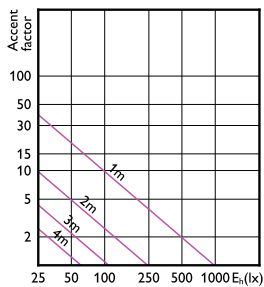
Accent Diagram - MAS LED spot VLE D 5.8-35W
MR16 940 36D



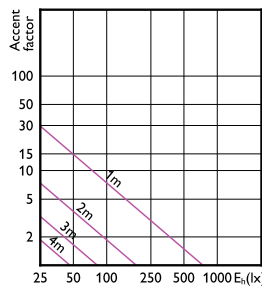
Accent Diagram - MAS LED spot VLE D 5.8-35W
MR16 927 36D



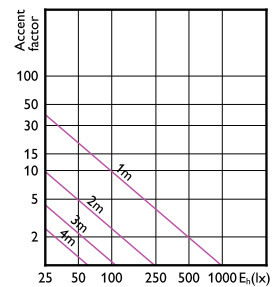
Accent Diagram - MAS LEDspotLV 3.5-20W 827
MR11 24D



Accent Diagram - MAS LEDspotLV DimTone
7.5-50W MR16 36D



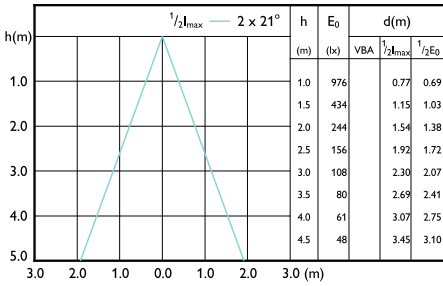
Accent Diagram - MAS LED spot VLE D 5.8-35W
MR16 930 36D



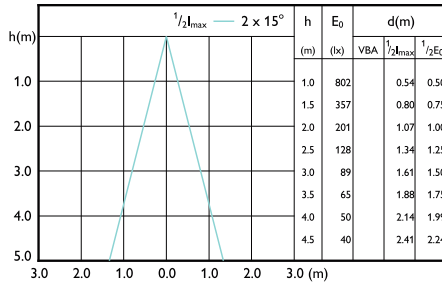
Accent Diagram - MAS LED SPOT VLE D
7.5-50W MR16 927 36D

MASTER VALUE LED spot LV

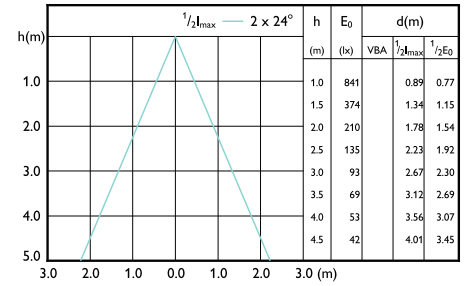
Beam Diagrams



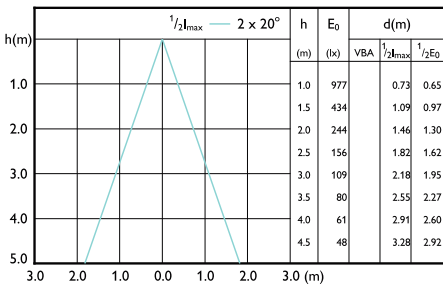
Beam diagram - MAS LED SPOT VLE D 7.5-50W MR16 927 36D



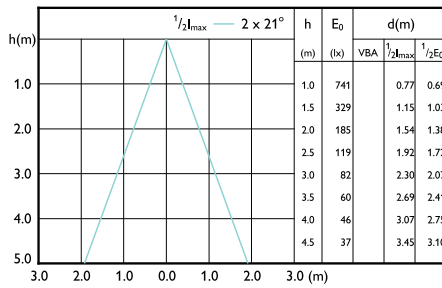
Beam diagram - MAS LEDspotLV DimTone 5.8-35W MR16 36D



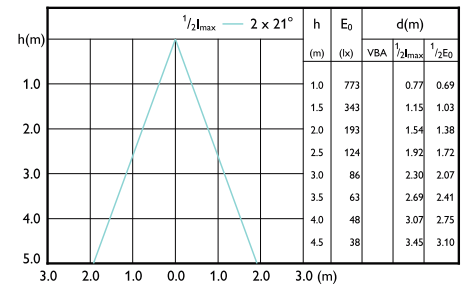
Beam diagram - MAS LED SPOT VLE D 7.5-50W MR16 940 36D



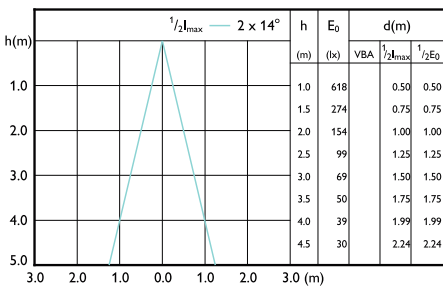
Beam diagram - MAS LEDspotLV DimTone 7.5-50W MR16 36D



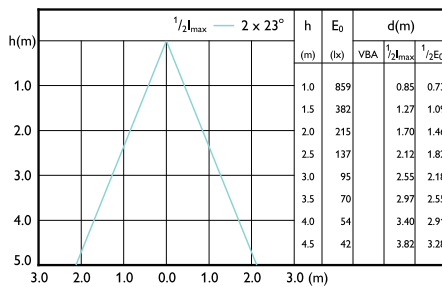
Beam diagram - MAS LED spot VLE D 5.8-35W MR16 930 36D



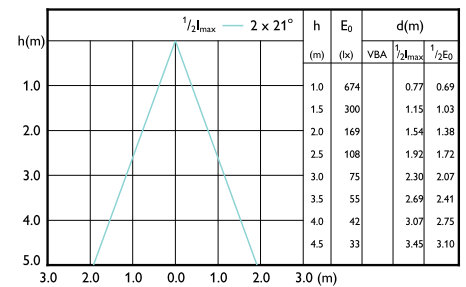
Beam diagram - MAS LED spot VLE D 5.8-35W MR16 940 36D



Beam diagram - MAS LEDspotLV 3.5-20W 827 MR11 24D



Beam diagram - MAS LED SPOT VLE D 7.5-50W MR16 930 36D



Beam diagram - MAS LED spot VLE D 5.8-35W MR16 927 36D

MASTER VALUE LED spot LV

