



The ideal solution for spot lighting

MASTER VALUE LED spot LV

Philips MASTER VALUE MR16 is the series of Low Voltage (12VAC) Halogen MR16 replacements. Not only does it employ Philips' patented solution to guarantee the broadest possible compatibility with standard 12V Halogen electronic transformers. It also delivers beam intensity which is equivalent to the 50W Philips Halogen MR16 lamps. The form-factor of Philips MASTER Value LED MR16 guarantees a 100% form on the back-side of the lamp (exact form with Halogen lamps.)

Benefits

- Up to 80% energy saving compared with halogen lamp
- Broad compatibility with transformers
- Retrofittable with low-voltage MR16 halogen lamps with GU5.3 socket

Features

- Dimmable range
- Patented intelligent driver
- Air movement mechanism (active fan cooling) with very low sound levels
- Lifetime of 25,000
- No UV and Cool Beam (no IR), making suitable for illuminating heat-sensitive objects (food, organic materials, paintings etc.)

Application

- Ideal for accent lighting in hotels, hospitals, shops and museums (e.g. floors, elevators, displays)

Warnings and Safety

- Operating temperature range is between -20° C and 45° C ambient
- Only to apply in dry or damp locations and most of open fixtures with lamp-holders that offer sufficient space (10 mm free air space)
- Not intended for use with emergency light fixtures or exit lights

MASTER VALUE LED spot LV

Versions



LEDspots MAS MR16 GU5.3



MASTER LED 5.5-50W MR16 GU5.3

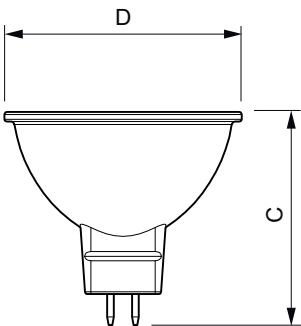
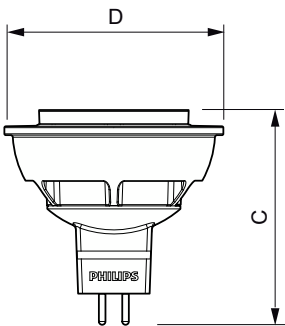


LEDspots MAS SLR 2 MR11 GU4



LEDspot MR16 GU5.3

Dimensional drawing

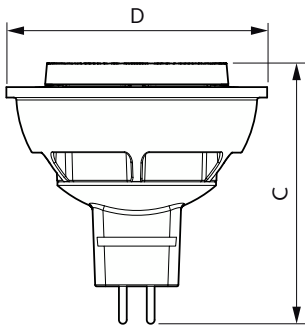
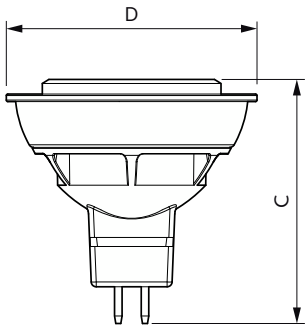
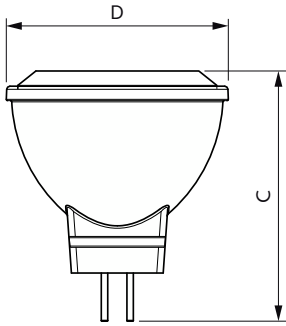


Product	D	C
MASTER LED 5.5-50W 2700K MR16 24D	50.2 mm	49 mm
MASTER LED 5.5-50W 2700K MR16 36D	50.2 mm	49 mm
MASTER LED 5.5-50W 3000K MR16 24D	50.2 mm	49 mm
MASTER LED 5.5-50W 3000K MR16 36D	50.2 mm	49 mm
MASTER LED 5.5-50W 4000K MR16 36D	50.2 mm	49 mm

Product	D	C
MAS LED SPOT VLE D 7.5-50W MR16 927 36D	50.5 mm	45.5 mm
MAS LED SPOT VLE D 7.5-50W MR16 927 60D	50.5 mm	45.5 mm
MAS LED SPOT VLE D 7.5-50W MR16 930 36D	50.5 mm	45.5 mm
MAS LED SPOT VLE D 7.5-50W MR16 930 60D	50.5 mm	45.5 mm
MAS LED SPOT VLE D 7.5-50W MR16 940 36D	50.5 mm	45.5 mm
MAS LED SPOT VLE D 7.5-50W MR16 940 60D	50.5 mm	45.5 mm
MAS LED spot VLE D 5.8-35W MR16 927 36D	50.5 mm	45.5 mm
MAS LED spot VLE D 5.8-35W MR16 927 60D	50.5 mm	45.5 mm
MAS LED spot VLE D 5.8-35W MR16 930 36D	50.5 mm	45.5 mm
MAS LED spot VLE D 5.8-35W MR16 930 60D	50.5 mm	45.5 mm
MAS LED spot VLE D 5.8-35W MR16 940 36D	50.5 mm	45.5 mm
MAS LED spot VLE D 5.8-35W MR16 940 60D	50.5 mm	45.5 mm
MAS LEDspotLV DimTone 5.8-35W MR16 36D	50.5 mm	45.5 mm

MASTER VALUE LED spot LV

Dimensional drawing



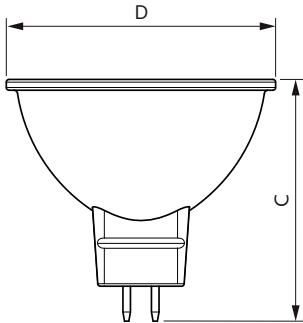
Product	D	C
MAS LEDspotLV 3.5-20W 827 MR11 24D	35.1 mm	39.5 mm

Product	D	C
MASTER LED 3.9-35W 2700K MR16 24D	50.5 mm	50 mm
MASTER LED 3.9-35W 2700K MR16 24D	50.5 mm	50 mm
MASTER LED 3.9-35W 2700K MR16 36D	50.5 mm	50 mm
MASTER LED 3.9-35W 2700K MR16 36D	50.5 mm	50 mm
MASTER LED 3.9-35W 3000K MR16 24D	50.5 mm	50 mm
MASTER LED 3.9-35W 3000K MR16 24D	50.5 mm	50 mm
MASTER LED 3.9-35W 3000K MR16 36D	50.5 mm	50 mm
MASTER LED 3.9-35W 3000K MR16 36D	50.5 mm	50 mm
MASTER LED 4.9-50W 2700K MR16 24D	50.5 mm	50 mm
MASTER LED 4.9-50W 2700K MR16 24D	50.5 mm	50 mm
MASTER LED 4.9-50W 2700K MR16 36D	50.5 mm	50 mm
MASTER LED 4.9-50W 2700K MR16 36D	50.5 mm	50 mm
MASTER LED 4.9-50W 3000K MR16 24D	50.5 mm	50 mm
MASTER LED 4.9-50W 3000K MR16 24D	50.5 mm	50 mm
MASTER LED 4.9-50W 3000K MR16 36D	50.5 mm	50 mm
MASTER LED 4.9-50W 3000K MR16 36D	50.5 mm	50 mm
MASTER LED 4.9-50W 4000K MR16 24D	50.5 mm	50 mm
MASTER LED 4.9-50W 4000K MR16 24D	50.5 mm	50 mm
MASTER LED 4.9-50W 4000K MR16 36D	50.5 mm	50 mm
MASTER LED 4.9-50W 4000K MR16 36D	50.5 mm	50 mm

Product	D	C
6.5MR16/F25/2700-2200 DIM 12V	51 mm	50.5 mm
6.5MR16/F35/2700-2200 DIM 12V	51 mm	50.5 mm

MASTER VALUE LED spot LV

Dimensional drawing



Product	D	C
MAS LEDspotLV DimTone 7.5-50W MR16 36D	50.5 mm	45.5 mm

General Information	
Switching Cycle	50,000
Light Technical	
LLMF At End Of Nominal Lifetime (Nom)	70 %
Operating and Electrical	
Input Frequency	- Hz
Starting Time (Nom)	0.5 s

General Information

Order Code	Full Product Name	Cap-Base	Nominal lifetime
929002492502	MAS LED spot VLE D 5.8-35W MR16 927 36D	GU5.3	25,000 hour(s)
929002492602	MAS LED spot VLE D 5.8-35W MR16 930 36D	GU5.3	25,000 hour(s)
929002492702	MAS LED spot VLE D 5.8-35W MR16 940 36D	GU5.3	25,000 hour(s)
929002492802	MAS LED spot VLE D 5.8-35W MR16 927 60D	GU5.3	25,000 hour(s)
929002492902	MAS LED spot VLE D 5.8-35W MR16 930 60D	GU5.3	25,000 hour(s)
929002493002	MAS LED spot VLE D 5.8-35W MR16 940 60D	GU5.3	25,000 hour(s)
929002493102	MAS LEDspotLV DimTone 5.8-35W MR16 36D	GU5.3	25,000 hour(s)
929002493202	MAS LED SPOT VLE D 7.5-50W MR16 927 36D	GU5.3	25,000 hour(s)
929002493302	MAS LED SPOT VLE D 7.5-50W MR16 930 36D	GU5.3	25,000 hour(s)
929002493402	MAS LED SPOT VLE D 7.5-50W MR16 940 36D	GU5.3	25,000 hour(s)
929001145908	MASTER LED 5.5-50W 2700K MR16 24D	GU5.3	25,000 hour(s)
929001146108	MASTER LED 5.5-50W 2700K MR16 36D	GU5.3	25,000 hour(s)
929001146608	MASTER LED 5.5-50W 3000K MR16 36D	GU5.3	25,000 hour(s)

Order Code	Full Product Name	Cap-Base	Nominal lifetime
929001146708	MASTER LED 5.5-50W 3000K MR16 24D	GU5.3	25,000 hour(s)
929001146908	MASTER LED 5.5-50W 4000K MR16 36D	GU5.3	25,000 hour(s)
929003087002	MAS LEDspotLV 3.5-20W 827 MR11 24D	GU4	40,000 hour(s)
929003087104	6.5MR16/F25/2700-2200 DIM 12V	GU5.3	25,000 hour(s)
929003087204	6.5MR16/F35/2700-2200 DIM 12V	GU5.3	25,000 hour(s)
929003610208	MASTER LED 3.9-35W 2700K MR16 24D	GU5.3	25,000 hour(s)
929003610210	MASTER LED 3.9-35W 2700K MR16 24D	GU5.3	25,000 hour(s)
929003610308	MASTER LED 3.9-35W 3000K MR16 24D	GU5.3	25,000 hour(s)
929003610310	MASTER LED 3.9-35W 3000K MR16 24D	GU5.3	25,000 hour(s)
929003610408	MASTER LED 3.9-35W 2700K MR16 36D	GU5.3	25,000 hour(s)
929003610410	MASTER LED 3.9-35W 2700K MR16 36D	GU5.3	25,000 hour(s)
929003610508	MASTER LED 3.9-35W 3000K MR16 36D	GU5.3	25,000 hour(s)
929003610510	MASTER LED 3.9-35W 3000K MR16 36D	GU5.3	25,000 hour(s)
929003610608	MASTER LED 4.9-50W 2700K MR16 24D	GU5.3	25,000 hour(s)
929003610610	MASTER LED 4.9-50W 2700K MR16 24D	GU5.3	25,000 hour(s)
929003610708	MASTER LED 4.9-50W 3000K MR16 24D	GU5.3	25,000 hour(s)
929003610710	MASTER LED 4.9-50W 3000K MR16 24D	GU5.3	25,000 hour(s)
929003610808	MASTER LED 4.9-50W 4000K MR16 24D	GU5.3	25,000 hour(s)
929003610810	MASTER LED 4.9-50W 4000K MR16 24D	GU5.3	25,000 hour(s)
929003610908	MASTER LED 4.9-50W 2700K MR16 36D	GU5.3	25,000 hour(s)
929003610910	MASTER LED 4.9-50W 2700K MR16 36D	GU5.3	25,000 hour(s)
929003611008	MASTER LED 4.9-50W 3000K MR16 36D	GU5.3	25,000 hour(s)
929003611010	MASTER LED 4.9-50W 3000K MR16 36D	GU5.3	25,000 hour(s)

MASTER VALUE LED spot LV

Order Code	Full Product Name	Cap-Base	Nominal lifetime
929003611108	MASTER LED 4.9-50W 4000K MR16 36D	GU5.3	25,000 hour(s)
929003611110	MASTER LED 4.9-50W 4000K MR16 36D	GU5.3	25,000 hour(s)
929002493802	MAS LEDspotLV DimTone 7.5-50W MR16 36D	GU5.3	25,000 hour(s)
929002493502	MAS LED SPOT VLE D 7.5-50W MR16 927 60D	GU5.3	25,000 hour(s)

Order Code	Full Product Name	Cap-Base	Nominal lifetime
929002493602	MAS LED SPOT VLE D 7.5-50W MR16 930 60D	GU5.3	25,000 hour(s)
929002493702	MAS LED SPOT VLE D 7.5-50W MR16 940 60D	GU5.3	25,000 hour(s)

Light Technical

Order Code	Full Product Name	Beam Angle (Nom)	Correlated Color		Color rendering		Luminous Intensity	
			Temperature (Nom)		index (CRI)	Color Code	Luminous Flux	(Nom)
929002492502	MAS LED spot VLE D 5.8-35W MR16 927 36D	36 degree(s)	2700 K		90	927	450 lm	1,300 cd
929002492602	MAS LED spot VLE D 5.8-35W MR16 930 36D	36 degree(s)	3000 K		90	930	460 lm	1,300 cd
929002492702	MAS LED spot VLE D 5.8-35W MR16 940 36D	36 degree(s)	4000 K		90	940	490 lm	1,200 cd
929002492802	MAS LED spot VLE D 5.8-35W MR16 927 60D	60 degree(s)	2700 K		90	927	450 lm	600 cd
929002492902	MAS LED spot VLE D 5.8-35W MR16 930 60D	60 degree(s)	3000 K		90	930	460 lm	600 cd
929002493002	MAS LED spot VLE D 5.8-35W MR16 940 60D	60 degree(s)	4000 K		90	940	490 lm	550 cd
929002493102	MAS LEDspotLV DimTone 5.8-35W MR16 36D	36 degree(s)	2200 K		90	922-927	345 lm	800 cd
929002493202	MAS LED SPOT VLE D 7.5-50W MR16 927 36D	36 degree(s)	2700 K		90	927	621 lm	1,600 cd
929002493302	MAS LED SPOT VLE D 7.5-50W MR16 930 36D	36 degree(s)	3000 K		90	930	630 lm	1,600 cd
929002493402	MAS LED SPOT VLE D 7.5-50W MR16 940 36D	36 degree(s)	4000 K		90	940	660 lm	1,500 cd
929001145908	MASTER LED 5.5-50W 2700K MR16 24D	24 degree(s)	2700 K		80	827	415 lm	1,800 cd
929001146108	MASTER LED 5.5-50W 2700K MR16 36D	36 degree(s)	2700 K		80	827	415 lm	1,000 cd
929001146608	MASTER LED 5.5-50W 3000K MR16 36D	36 degree(s)	3000 K		80	830	425 lm	1,000 cd
929001146708	MASTER LED 5.5-50W 3000K MR16 24D	24 degree(s)	3000 K		80	830	425 lm	1,800 cd
929001146908	MASTER LED 5.5-50W 4000K MR16 36D	36 degree(s)	4000 K		80	840	450 lm	1,000 cd
929003087002	MAS LEDspotLV 3.5-20W 827 MR11 24D	24 degree(s)	2700 K		80	827	200 lm	1,000 cd
929003087104	6.5MR16/F25/2700-2200 DIM 12V	25 degree(s)	2200 K		80	822-827	455 lm	1,601 cd
929003087204	6.5MR16/F35/2700-2200 DIM 12V	35 degree(s)	2200 K		80	822-827	455 lm	950 cd
929003610208	MASTER LED 3.9-35W 2700K MR16 24D	24 degree(s)	2700 K		90	927	270 lm	1,000 cd
929003610210	MASTER LED 3.9-35W 2700K MR16 24D	24 degree(s)	2700 K		90	927	270 lm	1,000 cd
929003610308	MASTER LED 3.9-35W 3000K MR16 24D	24 degree(s)	3000 K		90	930	280 lm	1,000 cd
929003610310	MASTER LED 3.9-35W 3000K MR16 24D	24 degree(s)	3000 K		90	930	280 lm	1,000 cd
929003610408	MASTER LED 3.9-35W 2700K MR16 36D	36 degree(s)	2700 K		90	927	270 lm	600 cd
929003610410	MASTER LED 3.9-35W 2700K MR16 36D	36 degree(s)	2700 K		90	927	270 lm	600 cd
929003610508	MASTER LED 3.9-35W 3000K MR16 36D	36 degree(s)	3000 K		90	930	280 lm	600 cd
929003610510	MASTER LED 3.9-35W 3000K MR16 36D	36 degree(s)	3000 K		90	930	280 lm	600 cd
929003610608	MASTER LED 4.9-50W 2700K MR16 24D	24 degree(s)	2700 K		90	927	415 lm	1,600 cd
929003610610	MASTER LED 4.9-50W 2700K MR16 24D	24 degree(s)	2700 K		90	927	415 lm	1,600 cd
929003610708	MASTER LED 4.9-50W 3000K MR16 24D	24 degree(s)	3000 K		90	930	425 lm	1,700 cd
929003610710	MASTER LED 4.9-50W 3000K MR16 24D	24 degree(s)	3000 K		90	930	425 lm	1,700 cd
929003610808	MASTER LED 4.9-50W 4000K MR16 24D	24 degree(s)	4000 K		90	940	430 lm	1,700 cd
929003610810	MASTER LED 4.9-50W 4000K MR16 24D	24 degree(s)	4000 K		90	940	430 lm	1,700 cd
929003610908	MASTER LED 4.9-50W 2700K MR16 36D	36 degree(s)	2700 K		90	927	415 lm	900 cd
929003610910	MASTER LED 4.9-50W 2700K MR16 36D	36 degree(s)	2700 K		90	927	415 lm	900 cd
929003611008	MASTER LED 4.9-50W 3000K MR16 36D	36 degree(s)	3000 K		90	930	425 lm	950 cd
929003611010	MASTER LED 4.9-50W 3000K MR16 36D	36 degree(s)	3000 K		90	930	425 lm	950 cd
929003611108	MASTER LED 4.9-50W 4000K MR16 36D	36 degree(s)	4000 K		90	940	430 lm	950 cd
929003611110	MASTER LED 4.9-50W 4000K MR16 36D	36 degree(s)	4000 K		90	940	430 lm	950 cd
929002493802	MAS LEDspotLV DimTone 7.5-50W MR16 36D	36 degree(s)	2200 K		90	922-927	621 lm	1,100 cd
929002493502	MAS LED SPOT VLE D 7.5-50W MR16 927 60D	60 degree(s)	2700 K		90	927	621 lm	750 cd

MASTER VALUE LED spot LV

Order Code	Full Product Name	Beam Angle (Nom)	Correlated Color	Color rendering		Luminous Intensity	
			Temperature (Nom)	index (CRI)	Color Code	Luminous Flux	(Nom)
929002493602	MAS LED SPOT VLE D 7.5-50W MR16 930 60D	60 degree(s)	3000 K	90	930	630 lm	800 cd
929002493702	MAS LED SPOT VLE D 7.5-50W MR16 940 60D	60 degree(s)	4000 K	90	940	660 lm	770 cd

Operating and Electrical

Order Code	Full Product Name	Line Frequency	Power Consumption	Wattage Equivalent	Order Code	Full Product Name	Line Frequency	Power Consumption	Wattage Equivalent
929002492502	MAS LED spot VLE D 5.8-35W MR16 927 36D	- Hz	5.8 W	35 W	929003610310	MASTER LED 3.9-35W 3000K MR16 24D	-	3.9 W	35 W
929002492602	MAS LED spot VLE D 5.8-35W MR16 930 36D	- Hz	5.8 W	35 W	929003610408	MASTER LED 3.9-35W 2700K MR16 36D	-	3.9 W	35 W
929002492702	MAS LED spot VLE D 5.8-35W MR16 940 36D	- Hz	5.8 W	35 W	929003610410	MASTER LED 3.9-35W 2700K MR16 36D	-	3.9 W	35 W
929002492802	MAS LED spot VLE D 5.8-35W MR16 927 60D	- Hz	5.8 W	35 W	929003610508	MASTER LED 3.9-35W 3000K MR16 36D	-	3.9 W	35 W
929002492902	MAS LED spot VLE D 5.8-35W MR16 930 60D	- Hz	5.8 W	35 W	929003610510	MASTER LED 3.9-35W 3000K MR16 36D	-	3.9 W	35 W
929002493002	MAS LED spot VLE D 5.8-35W MR16 940 60D	- Hz	5.8 W	35 W	929003610608	MASTER LED 4.9-50W 2700K MR16 24D	-	4.9 W	50 W
929002493102	MAS LEDspotLV DimTone 5.8-35W MR16 36D	- Hz	5.8 W	35 W	929003610610	MASTER LED 4.9-50W 2700K MR16 24D	-	4.9 W	50 W
929002493202	MAS LED SPOT VLE D 7.5-50W MR16 927 36D	- Hz	7.5 W	50 W	929003610708	MASTER LED 4.9-50W 3000K MR16 24D	-	4.9 W	50 W
929002493302	MAS LED SPOT VLE D 7.5-50W MR16 930 36D	- Hz	7.5 W	50 W	929003610710	MASTER LED 4.9-50W 3000K MR16 24D	-	4.9 W	50 W
929002493402	MAS LED SPOT VLE D 7.5-50W MR16 940 36D	- Hz	7.5 W	50 W	929003610808	MASTER LED 4.9-50W 4000K MR16 24D	-	4.9 W	50 W
929001145908	MASTER LED 5.5-50W 2700K MR16 24D	- Hz	5.5 W	50 W	929003610810	MASTER LED 4.9-50W 4000K MR16 24D	-	4.9 W	50 W
929001146108	MASTER LED 5.5-50W 2700K MR16 36D	- Hz	5.5 W	50 W	929003610908	MASTER LED 4.9-50W 2700K MR16 36D	-	4.9 W	50 W
929001146608	MASTER LED 5.5-50W 3000K MR16 36D	- Hz	5.5 W	50 W	929003610910	MASTER LED 4.9-50W 2700K MR16 36D	-	4.9 W	50 W
929001146708	MASTER LED 5.5-50W 3000K MR16 24D	- Hz	5.5 W	50 W	929003611008	MASTER LED 4.9-50W 3000K MR16 36D	-	4.9 W	50 W
929001146908	MASTER LED 5.5-50W 4000K MR16 36D	- Hz	5.5 W	50 W	929003611010	MASTER LED 4.9-50W 3000K MR16 36D	-	4.9 W	50 W
929003087002	MAS LEDspotLV 3.5-20W 827 MR11 24D	- Hz	3.5 W	20 W	929003611108	MASTER LED 4.9-50W 4000K MR16 36D	-	4.9 W	50 W
929003087104	6.5MR16/ F25/2700-2200 DIM 12V	- Hz	6.5 W	35 W	929003611110	MASTER LED 4.9-50W 4000K MR16 36D	-	4.9 W	50 W
929003087204	6.5MR16/ F35/2700-2200 DIM 12V	- Hz	6.5 W	35 W	929002493802	MAS LEDspotLV DimTone 7.5-50W MR16 36D	- Hz	7.5 W	50 W
929003610208	MASTER LED 3.9-35W 2700K MR16 24D	-	3.9 W	35 W	929002493502	MAS LED SPOT VLE D 7.5-50W MR16 927 60D	- Hz	7.5 W	50 W
929003610210	MASTER LED 3.9-35W 2700K MR16 24D	-	3.9 W	35 W	929002493602	MAS LED SPOT VLE D 7.5-50W MR16 930 60D	- Hz	7.5 W	50 W
929003610308	MASTER LED 3.9-35W 3000K MR16 24D	-	3.9 W	35 W	929002493702	MAS LED SPOT VLE D 7.5-50W MR16 940 60D	- Hz	7.5 W	50 W

MASTER VALUE LED spot LV

Temperature

Order Code	Full Product Name	T-Case Maximum (Nom)
929002492502	MAS LED spot VLE D 5.8-35W MR16 927 36D	85 °C
929002492602	MAS LED spot VLE D 5.8-35W MR16 930 36D	85 °C
929002492702	MAS LED spot VLE D 5.8-35W MR16 940 36D	85 °C
929002492802	MAS LED spot VLE D 5.8-35W MR16 927 60D	85 °C
929002492902	MAS LED spot VLE D 5.8-35W MR16 930 60D	85 °C
929002493002	MAS LED spot VLE D 5.8-35W MR16 940 60D	85 °C
929002493102	MAS LEDspotLV DimTone 5.8-35W MR16 36D	88 °C
929002493202	MAS LED SPOT VLE D 7.5-50W MR16 927 36D	95 °C
929002493302	MAS LED SPOT VLE D 7.5-50W MR16 930 36D	95 °C
929002493402	MAS LED SPOT VLE D 7.5-50W MR16 940 36D	95 °C
929001145908	MASTER LED 5.5-50W 2700K MR16 24D	95 °C
929001146108	MASTER LED 5.5-50W 2700K MR16 36D	95 °C
929001146608	MASTER LED 5.5-50W 3000K MR16 36D	95 °C
929001146708	MASTER LED 5.5-50W 3000K MR16 24D	95 °C
929001146908	MASTER LED 5.5-50W 4000K MR16 36D	95 °C
929003087002	MAS LEDspotLV 3.5-20W 827 MR11 24D	85 °C
929003087104	6.5MR16/F25/2700-2200 DIM 12V	80 °C
929003087204	6.5MR16/F35/2700-2200 DIM 12V	80 °C
929003610208	MASTER LED 3.9-35W 2700K MR16 24D	68 °C
929003610210	MASTER LED 3.9-35W 2700K MR16 24D	68 °C
929003610308	MASTER LED 3.9-35W 3000K MR16 24D	68 °C

Order Code	Full Product Name	T-Case Maximum (Nom)
929003610310	MASTER LED 3.9-35W 3000K MR16 24D	68 °C
929003610408	MASTER LED 3.9-35W 2700K MR16 36D	68 °C
929003610410	MASTER LED 3.9-35W 2700K MR16 36D	68 °C
929003610508	MASTER LED 3.9-35W 3000K MR16 36D	68 °C
929003610510	MASTER LED 3.9-35W 3000K MR16 36D	68 °C
929003610608	MASTER LED 4.9-50W 2700K MR16 24D	72 °C
929003610610	MASTER LED 4.9-50W 2700K MR16 24D	72 °C
929003610708	MASTER LED 4.9-50W 3000K MR16 24D	72 °C
929003610710	MASTER LED 4.9-50W 3000K MR16 24D	72 °C
929003610808	MASTER LED 4.9-50W 4000K MR16 24D	72 °C
929003610810	MASTER LED 4.9-50W 4000K MR16 24D	72 °C
929003610908	MASTER LED 4.9-50W 2700K MR16 36D	72 °C
929003610910	MASTER LED 4.9-50W 2700K MR16 36D	72 °C
929003611008	MASTER LED 4.9-50W 3000K MR16 36D	72 °C
929003611010	MASTER LED 4.9-50W 3000K MR16 36D	72 °C
929003611108	MASTER LED 4.9-50W 4000K MR16 36D	72 °C
929003611110	MASTER LED 4.9-50W 4000K MR16 36D	72 °C
929002493802	MAS LEDspotLV DimTone 7.5-50W MR16 36D	95 °C
929002493502	MAS LED SPOT VLE D 7.5-50W MR16 927 60D	95 °C
929002493602	MAS LED SPOT VLE D 7.5-50W MR16 930 60D	95 °C
929002493702	MAS LED SPOT VLE D 7.5-50W MR16 940 60D	95 °C

Controls and Dimming

Order Code	Full Product Name	Dimmable
929002492502	MAS LED spot VLE D 5.8-35W MR16 927 36D	Only with specific dimmers
929002492602	MAS LED spot VLE D 5.8-35W MR16 930 36D	Only with specific dimmers
929002492702	MAS LED spot VLE D 5.8-35W MR16 940 36D	Only with specific dimmers
929002492802	MAS LED spot VLE D 5.8-35W MR16 927 60D	Only with specific dimmers
929002492902	MAS LED spot VLE D 5.8-35W MR16 930 60D	Only with specific dimmers
929002493002	MAS LED spot VLE D 5.8-35W MR16 940 60D	Only with specific dimmers
929002493102	MAS LEDspotLV DimTone 5.8-35W MR16 36D	Only with specific dimmers
929002493202	MAS LED SPOT VLE D 7.5-50W MR16 927 36D	Only with specific dimmers
929002493302	MAS LED SPOT VLE D 7.5-50W MR16 930 36D	Only with specific dimmers
929002493402	MAS LED SPOT VLE D 7.5-50W MR16 940 36D	Only with specific dimmers
929001145908	MASTER LED 5.5-50W 2700K MR16 24D	No
929001146108	MASTER LED 5.5-50W 2700K MR16 36D	No
929001146608	MASTER LED 5.5-50W 3000K MR16 36D	No
929001146708	MASTER LED 5.5-50W 3000K MR16 24D	No

Order Code	Full Product Name	Dimmable
929001146908	MASTER LED 5.5-50W 4000K MR16 36D	No
929003087002	MAS LEDspotLV 3.5-20W 827 MR11 24D	No
929003087104	6.5MR16/F25/2700-2200 DIM 12V	Only with specific dimmers
929003087204	6.5MR16/F35/2700-2200 DIM 12V	Only with specific dimmers
929003610208	MASTER LED 3.9-35W 2700K MR16 24D	No
929003610210	MASTER LED 3.9-35W 2700K MR16 24D	No
929003610308	MASTER LED 3.9-35W 3000K MR16 24D	No
929003610310	MASTER LED 3.9-35W 3000K MR16 24D	No
929003610408	MASTER LED 3.9-35W 2700K MR16 36D	No
929003610410	MASTER LED 3.9-35W 2700K MR16 36D	No
929003610508	MASTER LED 3.9-35W 3000K MR16 36D	No
929003610510	MASTER LED 3.9-35W 3000K MR16 36D	No
929003610608	MASTER LED 4.9-50W 2700K MR16 24D	No
929003610610	MASTER LED 4.9-50W 2700K MR16 24D	No
929003610708	MASTER LED 4.9-50W 3000K MR16 24D	No
929003610710	MASTER LED 4.9-50W 3000K MR16 24D	No
929003610808	MASTER LED 4.9-50W 4000K MR16 24D	No
929003610810	MASTER LED 4.9-50W 4000K MR16 24D	No
929003610908	MASTER LED 4.9-50W 2700K MR16 36D	No
929003610910	MASTER LED 4.9-50W 2700K MR16 36D	No
929003611008	MASTER LED 4.9-50W 3000K MR16 36D	No
929003611010	MASTER LED 4.9-50W 3000K MR16 36D	No

MASTER VALUE LED spot LV

Order Code	Full Product Name	Dimmable
929003611108	MASTER LED 4.9-50W 4000K MR16 36D	No
929003611110	MASTER LED 4.9-50W 4000K MR16 36D	No
929002493802	MAS LEDspotLV DimTone 7.5-50W MR16 36D	Only with specific dimmers
929002493502	MAS LED SPOT VLE D 7.5-50W MR16 927 60D	Only with specific dimmers

Order Code	Full Product Name	Dimmable
929002493602	MAS LED SPOT VLE D 7.5-50W MR16 930 60D	Only with specific dimmers
929002493702	MAS LED SPOT VLE D 7.5-50W MR16 940 60D	Only with specific dimmers

Mechanical and Housing

Order Code	Full Product Name	Bulb Finish	Bulb Shape
929002492502	MAS LED spot VLE D 5.8-35W MR16 927 36D	Clear	MR16
929002492602	MAS LED spot VLE D 5.8-35W MR16 930 36D	Clear	MR16
929002492702	MAS LED spot VLE D 5.8-35W MR16 940 36D	Clear	MR16
929002492802	MAS LED spot VLE D 5.8-35W MR16 927 60D	Clear	MR16
929002492902	MAS LED spot VLE D 5.8-35W MR16 930 60D	Clear	MR16
929002493002	MAS LED spot VLE D 5.8-35W MR16 940 60D	Clear	MR16
929002493102	MAS LEDspotLV DimTone 5.8-35W MR16 36D	Clear	MR16
929002493202	MAS LED SPOT VLE D 7.5-50W MR16 927 36D	Clear	MR16
929002493302	MAS LED SPOT VLE D 7.5-50W MR16 930 36D	Clear	MR16
929002493402	MAS LED SPOT VLE D 7.5-50W MR16 940 36D	Clear	MR16
929001145908	MASTER LED 5.5-50W 2700K MR16 24D	-	MR16
929001146108	MASTER LED 5.5-50W 2700K MR16 36D	-	MR16
929001146608	MASTER LED 5.5-50W 3000K MR16 36D	-	MR16
929001146708	MASTER LED 5.5-50W 3000K MR16 24D	-	MR16
929001146908	MASTER LED 5.5-50W 4000K MR16 36D	-	MR16
929003087002	MAS LEDspotLV 3.5-20W 827 MR11 24D	-	MR11
929003087104	6.5MR16/F25/2700-2200 DIM 12V	Clear	MR16
929003087204	6.5MR16/F35/2700-2200 DIM 12V	Clear	MR16
929003610208	MASTER LED 3.9-35W 2700K MR16 24D	Clear	MR16
929003610210	MASTER LED 3.9-35W 2700K MR16 24D	Clear	MR16
929003610308	MASTER LED 3.9-35W 3000K MR16 24D	Clear	MR16
929003610310	MASTER LED 3.9-35W 3000K MR16 24D	Clear	MR16

Order Code	Full Product Name	Bulb Finish	Bulb Shape
929003610408	MASTER LED 3.9-35W 2700K MR16 36D	Clear	MR16
929003610410	MASTER LED 3.9-35W 2700K MR16 36D	Clear	MR16
929003610508	MASTER LED 3.9-35W 3000K MR16 36D	Clear	MR16
929003610510	MASTER LED 3.9-35W 3000K MR16 36D	Clear	MR16
929003610608	MASTER LED 4.9-50W 2700K MR16 24D	Clear	MR16
929003610610	MASTER LED 4.9-50W 2700K MR16 24D	Clear	MR16
929003610708	MASTER LED 4.9-50W 3000K MR16 24D	Clear	MR16
929003610710	MASTER LED 4.9-50W 3000K MR16 24D	Clear	MR16
929003610808	MASTER LED 4.9-50W 4000K MR16 24D	Clear	MR16
929003610810	MASTER LED 4.9-50W 4000K MR16 24D	Clear	MR16
929003610908	MASTER LED 4.9-50W 2700K MR16 36D	Clear	MR16
929003610910	MASTER LED 4.9-50W 2700K MR16 36D	Clear	MR16
929003611008	MASTER LED 4.9-50W 3000K MR16 36D	Clear	MR16
929003611010	MASTER LED 4.9-50W 3000K MR16 36D	Clear	MR16
929003611108	MASTER LED 4.9-50W 4000K MR16 36D	Clear	MR16
929003611110	MASTER LED 4.9-50W 4000K MR16 36D	Clear	MR16
929002493802	MAS LEDspotLV DimTone 7.5-50W MR16 36D	Clear	MR16
929002493502	MAS LED SPOT VLE D 7.5-50W MR16 927 60D	Clear	MR16
929002493602	MAS LED SPOT VLE D 7.5-50W MR16 930 60D	Clear	MR16
929002493702	MAS LED SPOT VLE D 7.5-50W MR16 940 60D	Clear	MR16

Approval and Application

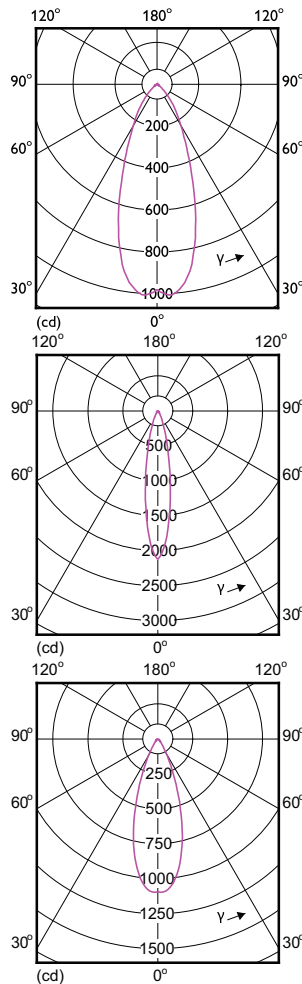
Order Code	Full Product Name	Ambient temperature range	Energy Consumption kWh/1000 h
929002492502	MAS LED spot VLE D 5.8-35W MR16 927 36D	-20 to +40 °C	6 kWh
929002492602	MAS LED spot VLE D 5.8-35W MR16 930 36D	-20 to +40 °C	6 kWh
929002492702	MAS LED spot VLE D 5.8-35W MR16 940 36D	-20 to +40 °C	6 kWh
929002492802	MAS LED spot VLE D 5.8-35W MR16 927 60D	-20 to +40 °C	6 kWh
929002492902	MAS LED spot VLE D 5.8-35W MR16 930 60D	-20 to +40 °C	6 kWh

Order Code	Full Product Name	Ambient temperature range	Energy Consumption kWh/1000 h
929002493002	MAS LED spot VLE D 5.8-35W MR16 940 60D	-20 to +40 °C	6 kWh
929002493102	MAS LEDspotLV DimTone 5.8-35W MR16 36D	-20 to +40 °C	6 kWh
929002493202	MAS LED SPOT VLE D 7.5-50W MR16 927 36D	-20 to +40 °C	8 kWh
929002493302	MAS LED SPOT VLE D 7.5-50W MR16 930 36D	-20 to +40 °C	8 kWh
929002493402	MAS LED SPOT VLE D 7.5-50W MR16 940 36D	-20 to +40 °C	8 kWh

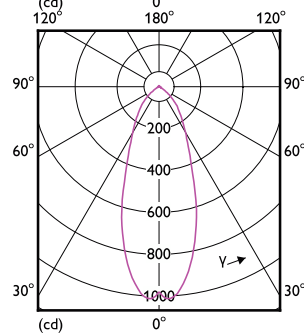
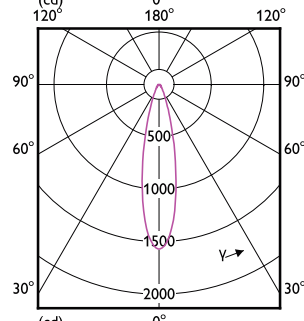
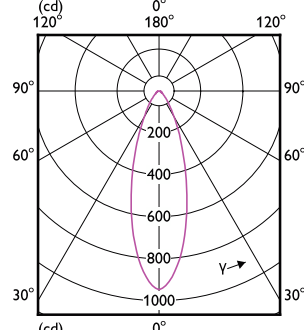
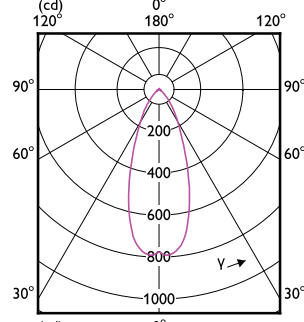
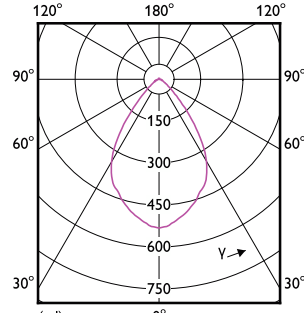
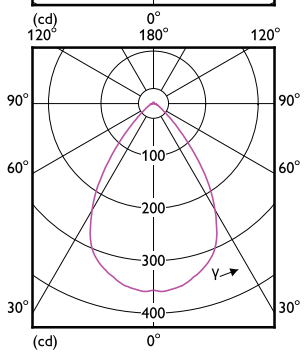
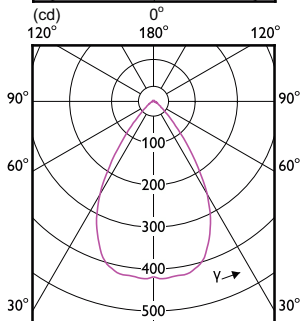
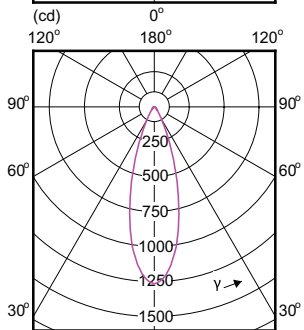
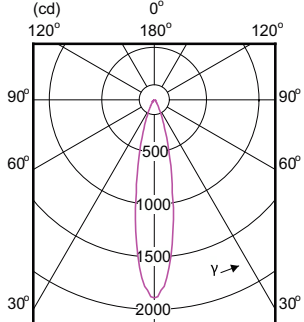
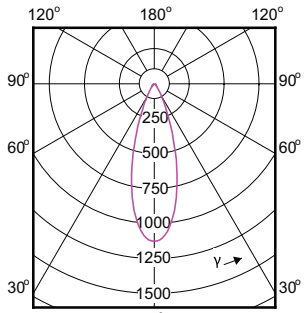
MASTER VALUE LED spot LV

Order Code	Full Product Name	Ambient temperature range	Energy Consumption kWh/1000 h
929001145908	MASTER LED 5.5-50W 2700K MR16 24D	-20 to +45 °C	-
929001146108	MASTER LED 5.5-50W 2700K MR16 36D	-20 to +45 °C	-
929001146608	MASTER LED 5.5-50W 3000K MR16 36D	-20 to +45 °C	-
929001146708	MASTER LED 5.5-50W 3000K MR16 24D	-20 to +45 °C	-
929001146908	MASTER LED 5.5-50W 4000K MR16 36D	-20 °C to 45 °C	-
929003087002	MAS LEDspotLV 3.5-20W 827 MR11 24D	-20 to +45 °C	4 kWh
929003087104	6.5MR16/F25/2700-2200 DIM 12V	-20 to +45 °C	-
929003087204	6.5MR16/F35/2700-2200 DIM 12V	-20 to +45 °C	-
929003610208	MASTER LED 3.9-35W 2700K MR16 24D	-20 to +45 °C	-
929003610210	MASTER LED 3.9-35W 2700K MR16 24D	-20 to +45 °C	-
929003610308	MASTER LED 3.9-35W 3000K MR16 24D	-20 to +45 °C	-
929003610310	MASTER LED 3.9-35W 3000K MR16 24D	-20 to +45 °C	-
929003610408	MASTER LED 3.9-35W 2700K MR16 36D	-20 to +45 °C	-
929003610410	MASTER LED 3.9-35W 2700K MR16 36D	-20 to +45 °C	-
929003610508	MASTER LED 3.9-35W 3000K MR16 36D	-20 to +45 °C	-
929003610510	MASTER LED 3.9-35W 3000K MR16 36D	-20 to +45 °C	-
929003610608	MASTER LED 4.9-50W 2700K MR16 24D	-20 to +45 °C	-
929003610610	MASTER LED 4.9-50W 2700K MR16 24D	-20 to +45 °C	-
929003610708	MASTER LED 4.9-50W 3000K MR16 24D	20 to +45 °C	-
929003610710	MASTER LED 4.9-50W 3000K MR16 24D	-20 to +45 °C	-
929003610808	MASTER LED 4.9-50W 4000K MR16 24D	-20 to +45 °C	-
929003610810	MASTER LED 4.9-50W 4000K MR16 24D	-20 to +45 °C	-
929003610908	MASTER LED 4.9-50W 2700K MR16 36D	-20 to +45 °C	-
929003610910	MASTER LED 4.9-50W 2700K MR16 36D	-20 to +45 °C	-
929003611008	MASTER LED 4.9-50W 3000K MR16 36D	-20 to +45 °C	-

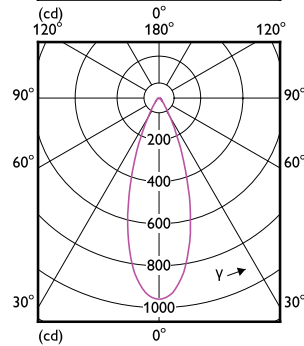
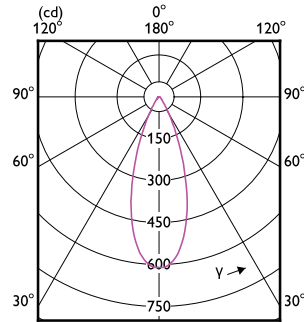
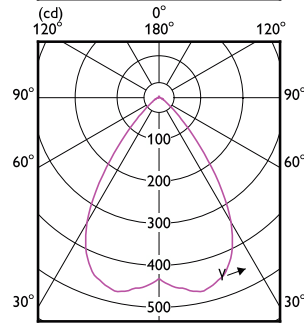
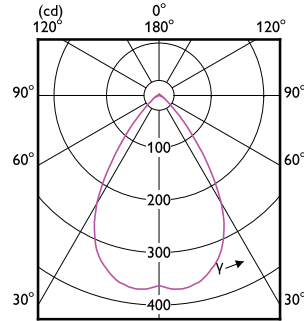
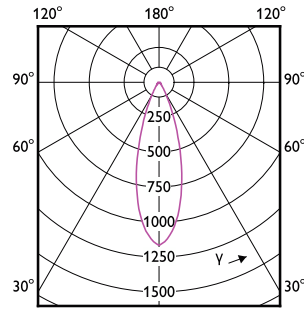
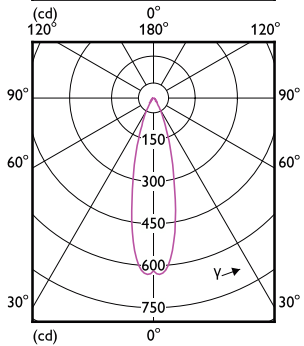
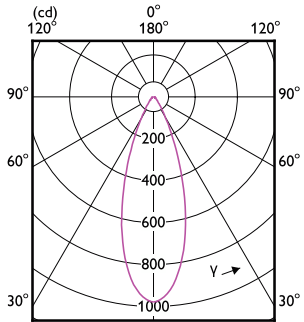
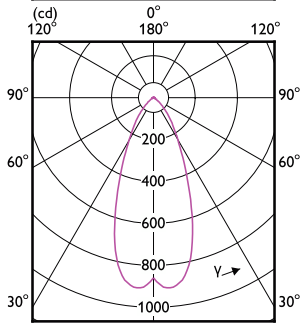
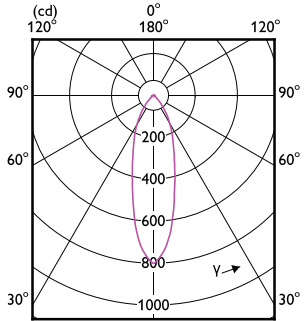
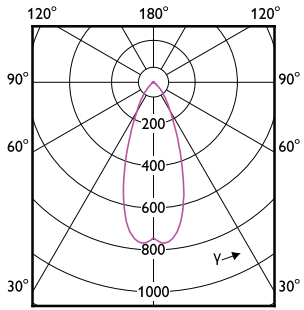
Order Code	Full Product Name	Ambient temperature range	Energy Consumption kWh/1000 h
929003611010	MASTER LED 4.9-50W 3000K MR16 36D	-20 to +45 °C	-
929003611108	MASTER LED 4.9-50W 4000K MR16 36D	-20 to +45 °C	-
929003611110	MASTER LED 4.9-50W 4000K MR16 36D	-20 to +45 °C	-
929002493802	MAS LEDspotLV DimTone 7.5-50W MR16 36D	-20 to +40 °C	8 kWh
929002493502	MAS LED SPOT VLE D 7.5-50W MR16 927 60D	-20 to +40 °C	8 kWh
929002493602	MAS LED SPOT VLE D 7.5-50W MR16 930 60D	-20 to +40 °C	8 kWh
929002493702	MAS LED SPOT VLE D 7.5-50W MR16 940 60D	-20 to +40 °C	8 kWh



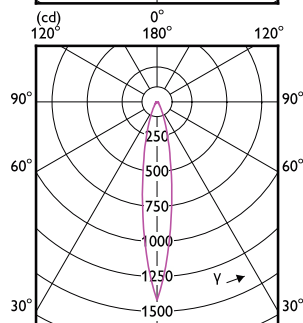
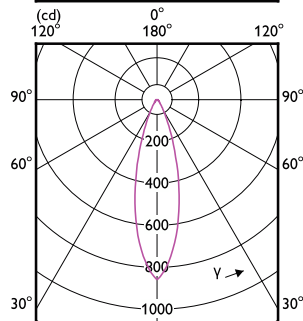
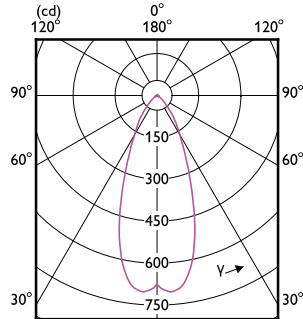
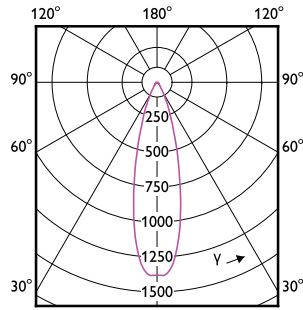
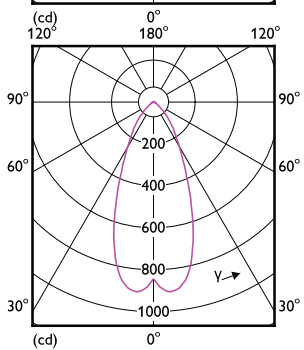
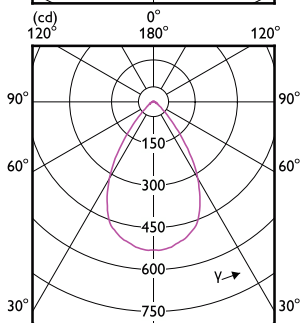
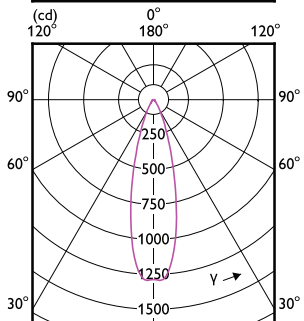
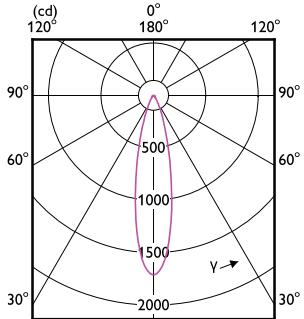
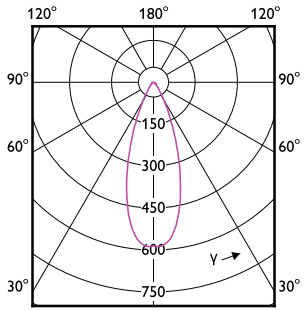
MASTER VALUE LED spot LV



MASTER VALUE LED spot LV

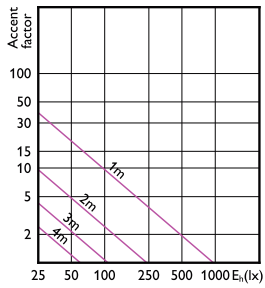


MASTER VALUE LED spot LV

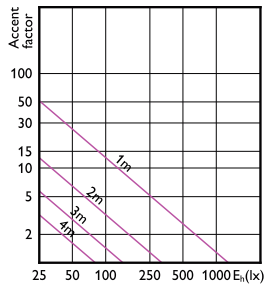


MASTER VALUE LED spot LV

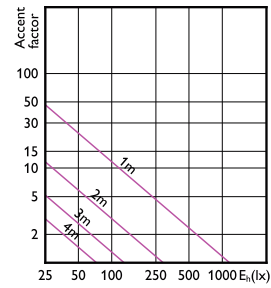
Accent Diagrams



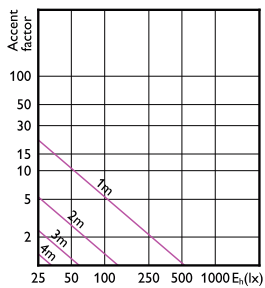
Accent Diagram - MASTER LED 4.9-50W 2700K MR16 36D



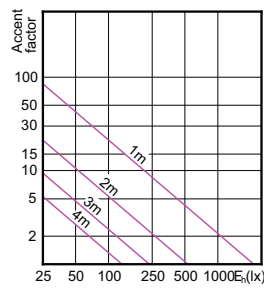
Accent Diagram - MASTER LED 4.9-50W 2700K MR16 24D



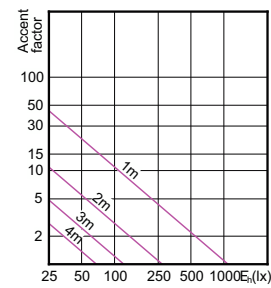
Accent Diagram - MASTER LED 4.9-50W 3000K MR16 36D



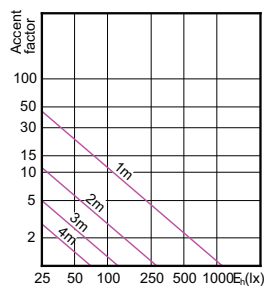
Accent Diagram - MAS LED SPOT VLE D 7.5-50W MR16 927 60D



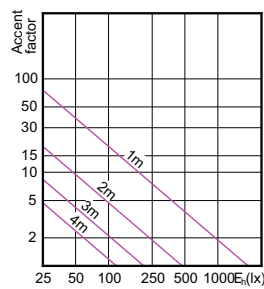
Accent Diagram - MASTER LED 5.5-50W 2700K MR16 24D



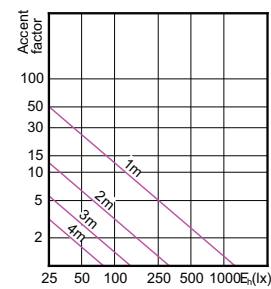
Accent Diagram - MASTER LED 5.5-50W 2700K MR16 36D



Accent Diagram - MASTER LED 5.5-50W 3000K MR16 36D



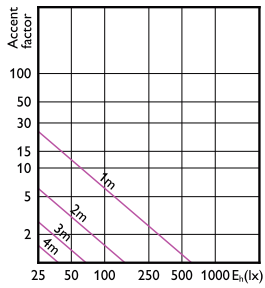
Accent Diagram - MASTER LED 5.5-50W 3000K MR16 24D



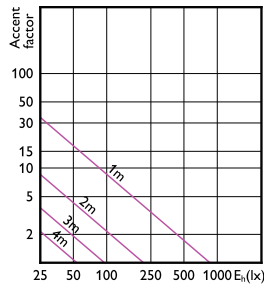
Accent Diagram - MASTER LED 5.5-50W 4000K MR16 36D

MASTER VALUE LED spot LV

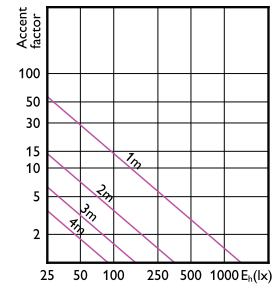
Accent Diagrams



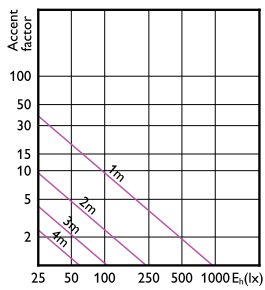
Accent Diagram - MASTER LED 3.9-35W 2700K MR16 24D



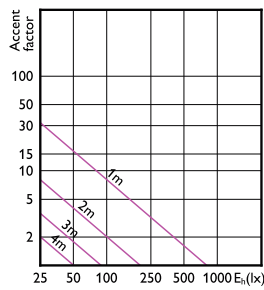
Accent Diagram - MAS LED SPOT VLE D 7.5-50W MR16 930 36D



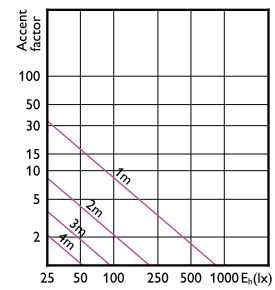
Accent Diagram - MASTER LED 3.9-35W 3000K MR16 24D



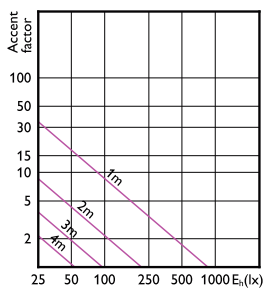
Accent Diagram - 6.5MR16/F35/2700-2200 DIM 12V



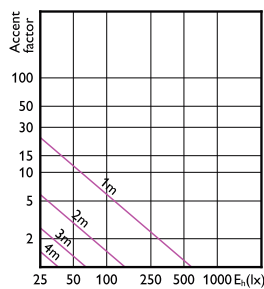
Accent Diagram - MAS LEDspotLV DimTone 5.8-35W MR16 36D



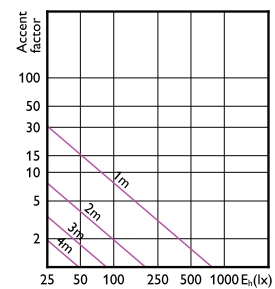
Accent Diagram - MAS LED SPOT VLE D 7.5-50W MR16 940 36D



Accent Diagram - MASTER LED 3.9-35W 3000K MR16 36D



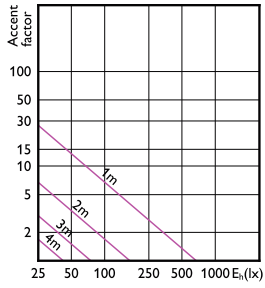
Accent Diagram - MASTER LED 3.9-35W 2700K MR16 36D



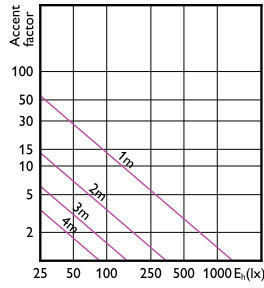
Accent Diagram - MAS LED spot VLE D 5.8-35W MR16 940 36D

MASTER VALUE LED spot LV

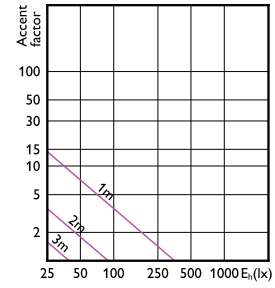
Accent Diagrams



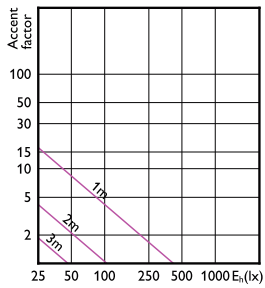
Accent Diagram - MAS LED spot VLE D 5.8-35W
MR16 927 36D



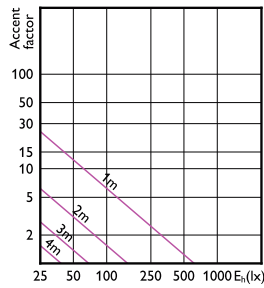
Accent Diagram - MASTER LED 4.9-50W
4000K MR16 24D



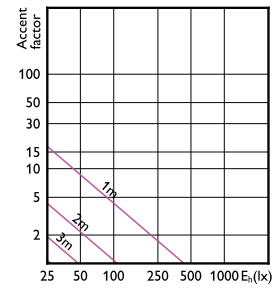
Accent Diagram - MAS LED spot VLE D 5.8-35W
MR16 930 60D



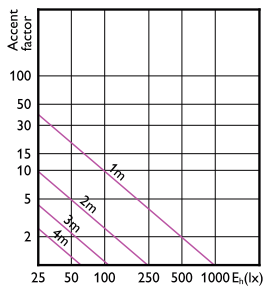
Accent Diagram - MAS LED spot VLE D 5.8-35W
MR16 940 60D



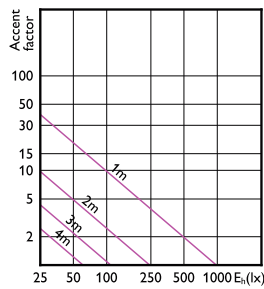
Accent Diagram - MAS LEDspotLV 3.5-20W 827
MR11 24D



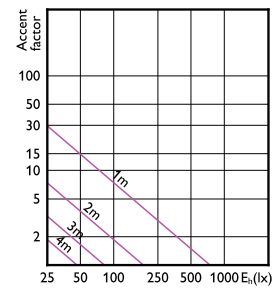
Accent Diagram - MAS LED SPOT VLE D
7.5-50W MR16 930 60D



Accent Diagram - MASTER LED 4.9-50W
4000K MR16 36D



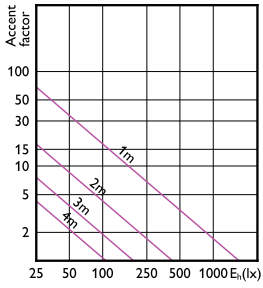
Accent Diagram - MAS LEDspotLV DimTone
7.5-50W MR16 36D



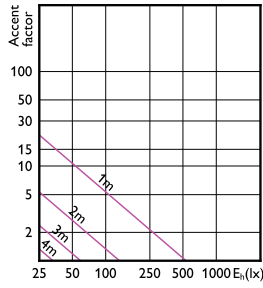
Accent Diagram - MAS LED spot VLE D 5.8-35W
MR16 930 36D

MASTER VALUE LED spot LV

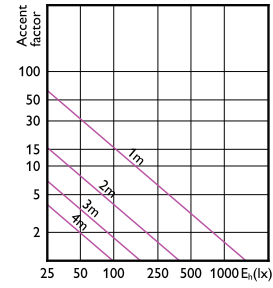
Accent Diagrams



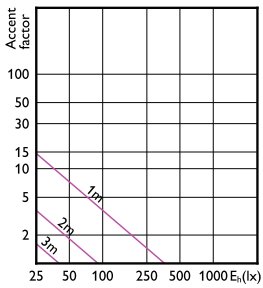
Accent Diagram - MASTER LED 4.9-50W
3000K MR16 24D



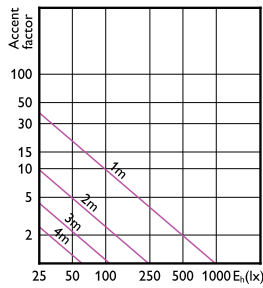
Accent Diagram - MAS LED SPOT VLE D
7.5-50W MR16 940 60D



Accent Diagram - 6.5MR16/F25/2700-2200
DIM 12V

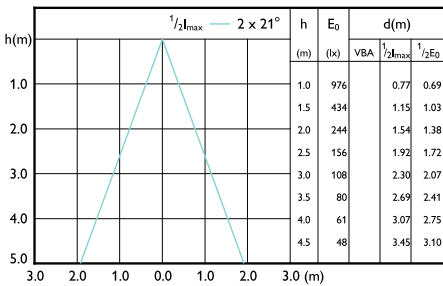


Accent Diagram - MAS LED spot VLE D 5.8-35W
MR16 927 60D

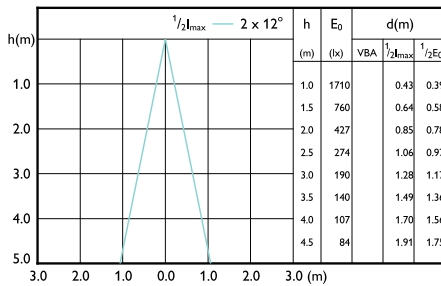


Accent Diagram - MAS LED SPOT VLE D
7.5-50W MR16 927 36D

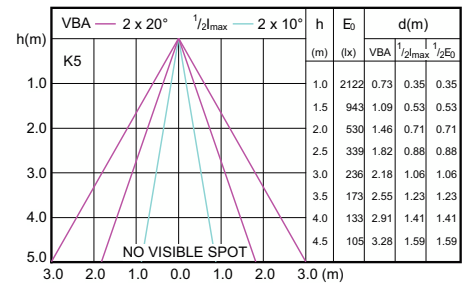
Beam Diagrams



Beam diagram - MAS LED SPOT VLE D 7.5-50W
MR16 927 36D



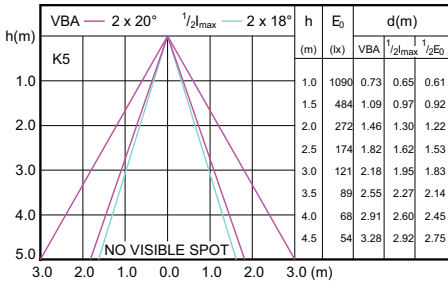
Beam diagram - MASTER LED 4.9-50W 3000K
MR16 24D



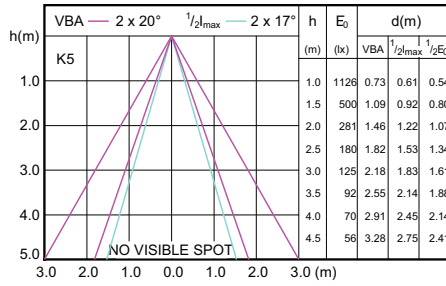
Beam diagram - MASTER LED 5.5-50W 2700K
MR16 24D

MASTER VALUE LED spot LV

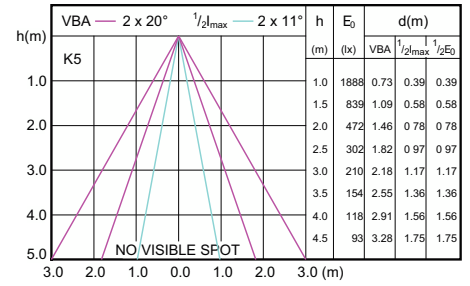
Beam Diagrams



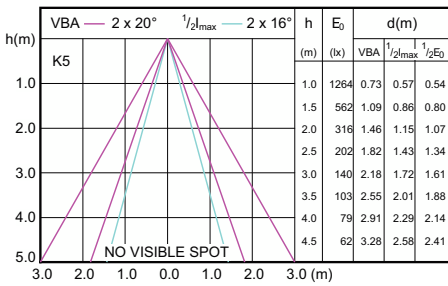
Beam diagram - MASTER LED 5.5-50W 2700K MR16 36D



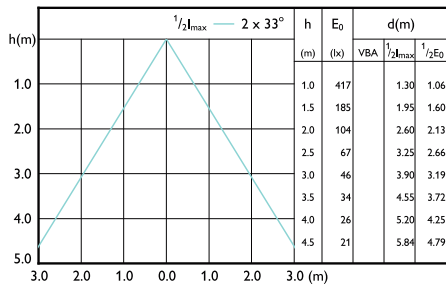
Beam diagram - MASTER LED 5.5-50W 3000K MR16 36D



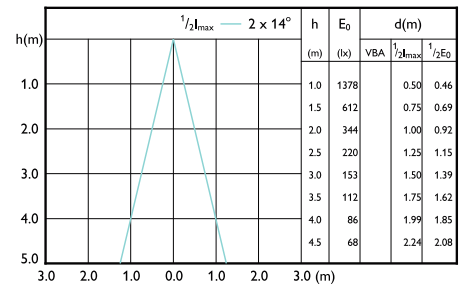
Beam diagram - MASTER LED 5.5-50W 3000K MR16 24D



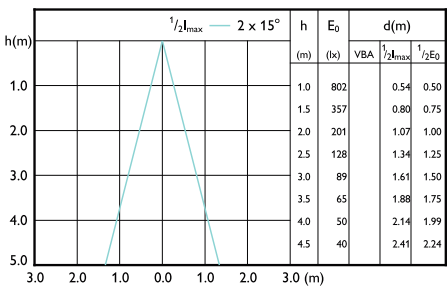
Beam diagram - MASTER LED 5.5-50W 4000K MR16 36D



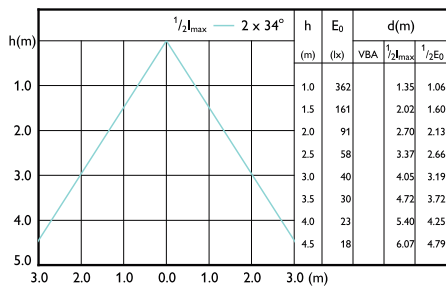
Beam diagram - MAS LED spot VLE D 5.8-35W MR16 940 60D



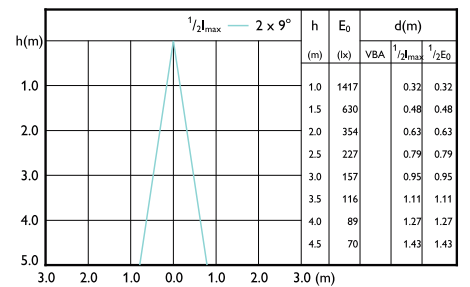
Beam diagram - MASTER LED 4.9-50W 4000K MR16 24D



Beam diagram - MAS LEDspotLV DimTone 5.8-35W MR16 36D

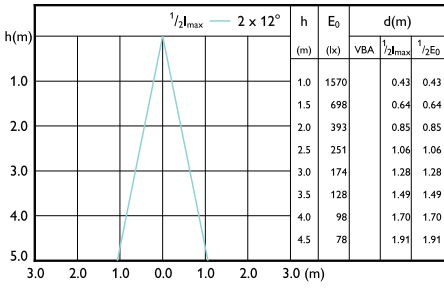


Beam diagram - MAS LED spot VLE D 5.8-35W MR16 927 60D

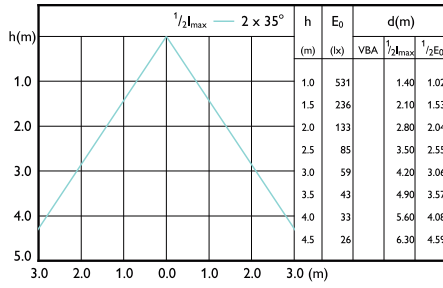


Beam diagram - MASTER LED 3.9-35W 3000K MR16 24D

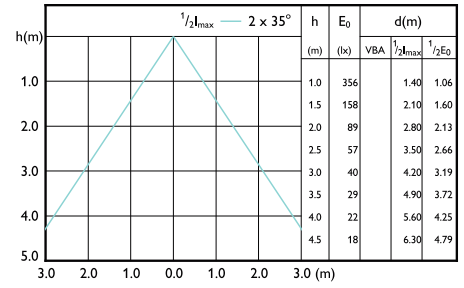
Beam Diagrams



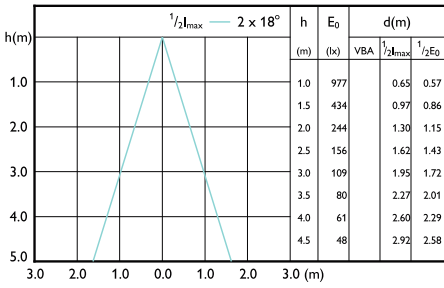
Beam diagram - 6.5MR16/F25/2700-2200 DIM 12V



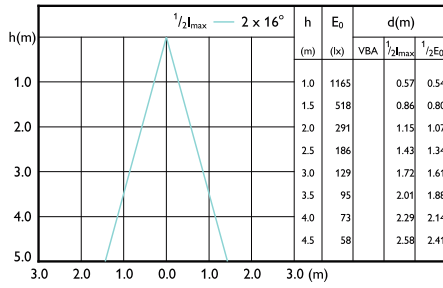
Beam diagram - MAS LED SPOT VLE D 7.5-50W MR16 940 60D



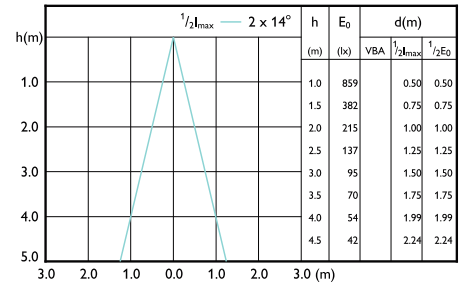
Beam diagram - MAS LED spot VLE D 5.8-35W MR16 930 60D



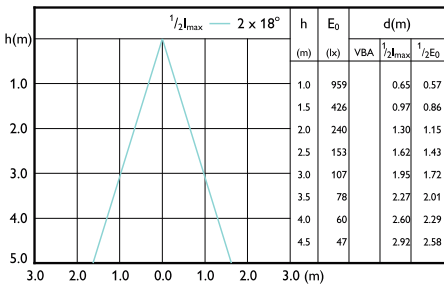
Beam diagram - MASTER LED 4.9-50W 4000K MR16 36D



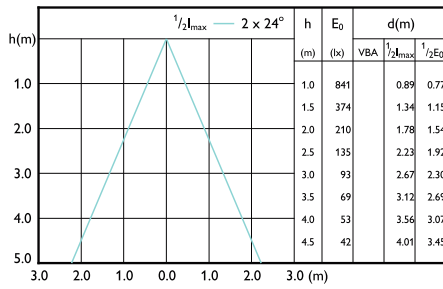
Beam diagram - MASTER LED 4.9-50W 3000K MR16 36D



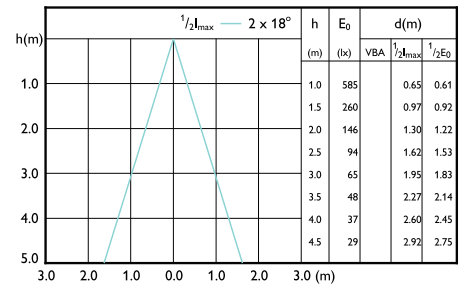
Beam diagram - MASTER LED 3.9-35W 3000K MR16 36D



Beam diagram - MASTER LED 4.9-50W 2700K MR16 36D

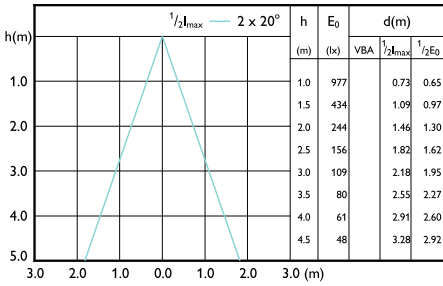


Beam diagram - MAS LED SPOT VLE D 7.5-50W MR16 940 36D

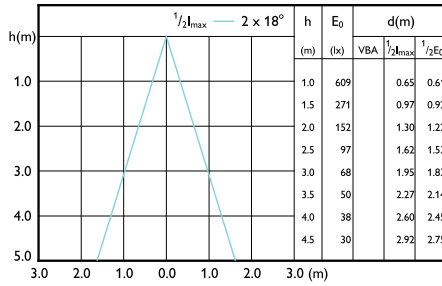


Beam diagram - MASTER LED 3.9-35W 2700K MR16 36D

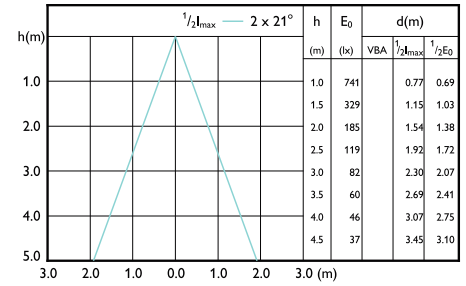
Beam Diagrams



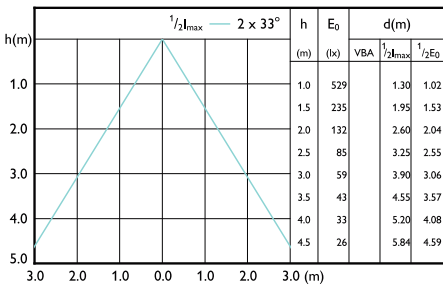
Beam diagram - MAS LEDspotLV DimTone 7.5-50W MR16 36D



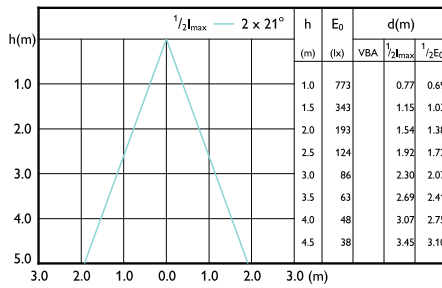
Beam diagram - MASTER LED 3.9-35W 2700K MR16 24D



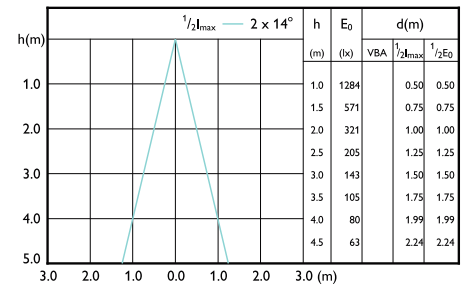
Beam diagram - MAS LED spot VLE D 5.8-35W MR16 930 36D



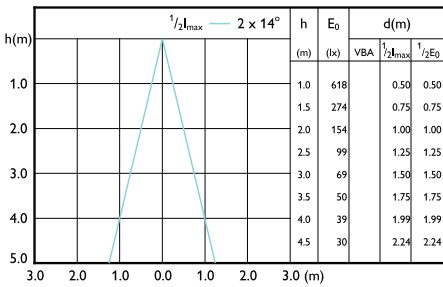
Beam diagram - MAS LED SPOT VLE D 7.5-50W MR16 927 60D



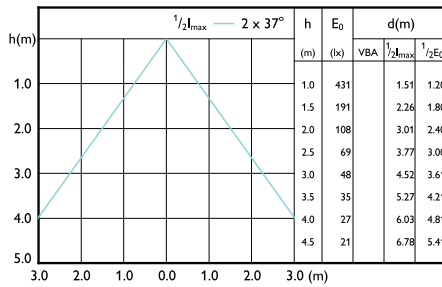
Beam diagram - MAS LED spot VLE D 5.8-35W MR16 940 36D



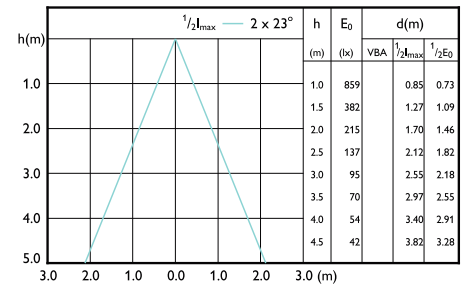
Beam diagram - MASTER LED 4.9-50W 2700K MR16 24D



Beam diagram - MAS LEDspotLV 3.5-20W 827 MR11 24D



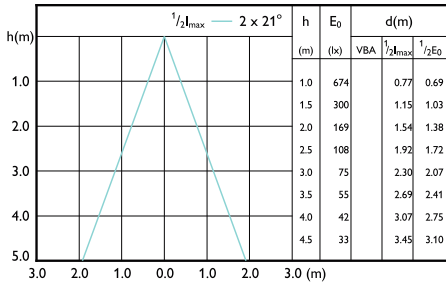
Beam diagram - MAS LED SPOT VLE D 7.5-50W MR16 930 60D



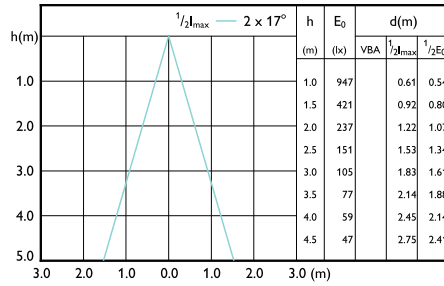
Beam diagram - MAS LED SPOT VLE D 7.5-50W MR16 930 36D

MASTER VALUE LED spot LV

Beam Diagrams



Beam diagram - MAS LED spot VLE D 5.8-35W
MR16 927 36D



Beam diagram - 6.5MR16/F35/2700-2200 DIM
12V

