



The new generation of energy-saving tube lighting

Other LED tube

Philips LEDtube integrates a LED light source into a traditional fluorescent form factor. This product is the ideal solution for uplampping in general lighting applications: it meets basic lighting requirements, offers significant energy savings, and is environmentally friendly.

Benefits

- Reduced operational cost thanks to lower energy consumption
- Lower maintenance cost thanks to 2-3 times longer lifetime than conventional lamps
- Fastest and easiest way to upgrade existing luminaires to LED technology; completely safe product and installation process

Features

- Highly energy-efficient
- Easy installation
- Conventional form factor to fit into existing luminaires
- No mercury

Application

- Hospitality, retail, office, industrial and home applications

Other LED tube

Versions



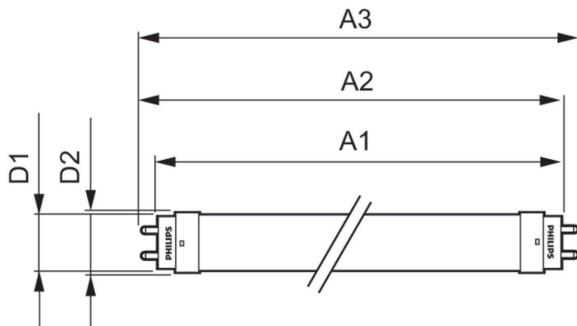
LEDtube 2,2W S14S

LEDtube 4,5W S19

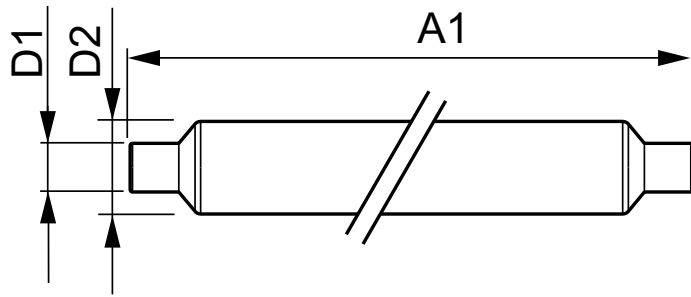
LEDtube 3,5W S14S

LEDtube 3,5W S14D

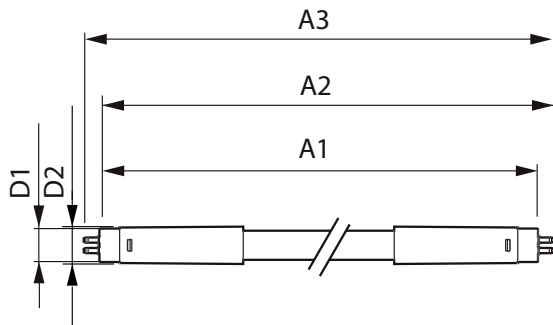
Dimensional drawing



Product	D1	D2	A1	A2	A3
MAS LEDtube VLE DC 1200mm 15.5W 830 T8	25.7 mm	28 mm	1,198 mm	1,205 mm	1,212 mm
MAS LEDtube VLE DC 1200mm 15.5W 865 T8	25.7 mm	28 mm	1,198 mm	1,205 mm	1,212 mm



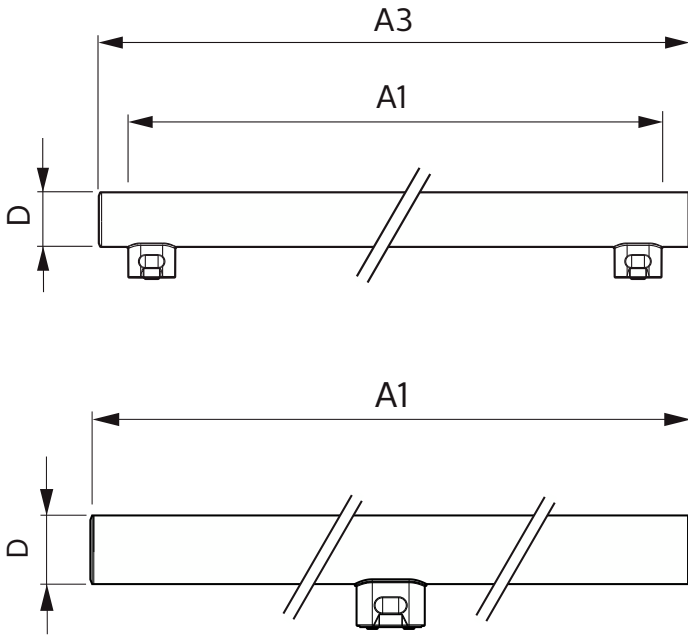
Product	D1	D2	A1	A2	A3
LED 4.5W 310mm S19 WW ND 1CT/4	38 mm	38 mm	273.6 mm		310 mm



Product	D1	D2	A1	A2	A3
MAS Ledtube 1200mm HO 16W 840 T5 DC	15.8 mm	19 mm	1,149 mm	1,156.1 mm	1,163.2 mm
MAS Ledtube 1200mm HO 16W 865 T5 DC	15.8 mm	19 mm	1,149 mm	1,156.1 mm	1,163.2 mm
MAS Ledtube 600mm HO 8.3W 840 T5 DC	15.8 mm	19 mm	549 mm	556.1 mm	563.2 mm
MAS Ledtube 600mm HO 8.3W 865 T5 DC	15.8 mm	19 mm	549 mm	556.1 mm	563.2 mm

Other LED tube

Dimensional drawing



Product	D1	D2	A1	A2	A3
LED 2.2W 300mm S14S WW ND 1CT/4	30 mm	30 mm	266.8 mm		299 mm
LED 3.5W 500mm S14S WW ND 1CT/4	30 mm	30 mm	466.8 mm		499 mm

Product	D1	D2	A1	A2	A3
LED 3.5W 500mm S14D WW ND 1CT/4	30 mm	30 mm	266.8 mm		299 mm

Light Technical

LLMF At End Of Nominal Lifetime (Nom)	70 %
---------------------------------------	------

Operating and Electrical

Starting Time (Nom)	0.5 s
---------------------	-------

Mechanical and Housing

Bulb Finish	Frosted
-------------	---------

Approval and Application

Ambient temperature range	-20 °C to 45 °C
---------------------------	-----------------

General Information

Order Code	Full Product Name	Cap-Base	Rated		
			Lifetime (Hours)	Switching Cycle	Nominal lifetime
929002444201	LED 2.2W 300mm S14S WW ND 1CT/4	S14s	30,000 hour(s)	50,000	30,000 hour(s)
929003554721	MAS LEDtube VLE DC 1200mm 15.5W 865 T8	G13	-	50,000	50,000 hour(s)
929003557121	MAS LEDtube VLE DC 1200mm 15.5W 830 T8	G13	-	50,000	50,000 hour(s)
929002443801	LED 4.5W 310mm S19 WW ND 1CT/4	S19	30,000 hour(s)	50,000	30,000 hour(s)
929002387208	MAS Ledtube 600mm HO 8.3W 840 T5 DC	G5	-	200,000	50,000 hour(s)

Order Code	Full Product Name	Cap-Base	Rated		
			Lifetime (Hours)	Switching Cycle	Nominal lifetime
929002387308	MAS Ledtube 600mm HO 8.3W 865 T5 DC	G5	-	200,000	50,000 hour(s)
929002387408	MAS Ledtube 1200mm HO 16W 840 T5 DC	G5	-	200,000	50,000 hour(s)
929002387508	MAS Ledtube 1200mm HO 16W 865 T5 DC	G5	-	200,000	50,000 hour(s)
929002444301	LED 3.5W 500mm S14S WW ND 1CT/4	S14s	30,000 hour(s)	50,000	30,000 hour(s)

Other LED tube

Order Code	Full Product Name	Cap-Base	Rated		
			Lifetime (Hours)	Switching Cycle	Nominal lifetime
929002444101	LED 3.5W 500mm S14D WW ND 1CT/4	S14d	30,000	50,000	30,000
	S14D WW ND 1CT/4		hour(s)		hour(s)

Light Technical

Order Code	Full Product Name	Beam Angle (Nom)	Correlated Color Temperature (Nom)	Color rendering index (CRI)	Color Code	Luminous Flux
929002444201	LED 2.2W 300mm S14S WW ND 1CT/4	140 degree(s)	2700 K	80	827	250 lm
929003554721	MAS LEDtube VLE DC 1200mm 15.5W 865 T8	240 degree(s)	6500 K	82	865	2,300 lm
929003557121	MAS LEDtube VLE DC 1200mm 15.5W 830 T8	240 degree(s)	3000 K	82	830	2,300 lm
929002443801	LED 4.5W 310mm S19 WW ND 1CT/4	175 degree(s)	2700 K	80	827	480 lm
929002387208	MAS Ledtube 600mm HO 8.3W 840 T5 DC	160 degree(s)	4000 K	82	840	1,250 lm
929002387308	MAS Ledtube 600mm HO 8.3W 865 T5 DC	160 degree(s)	6500 K	82	865	1,250 lm
929002387408	MAS Ledtube 1200mm HO 16W 840 T5 DC	160 degree(s)	4000 K	82	840	2,500 lm
929002387508	MAS Ledtube 1200mm HO 16W 865 T5 DC	160 degree(s)	6500 K	82	865	2,500 lm
929002444301	LED 3.5W 500mm S14S WW ND 1CT/4	140 degree(s)	2700 K	80	827	375 lm
929002444101	LED 3.5W 500mm S14D WW ND 1CT/4	140 degree(s)	2700 K	80	827	375 lm

Operating and Electrical

Order Code	Full Product Name	Input	Line	Power
		Frequency	Frequency	Consumption
929002444201	LED 2.2W 300mm S14S WW ND 1CT/4	50 to 60 Hz	50 to 60 Hz	2.2 W
929003554721	MAS LEDtube VLE DC 1200mm 15.5W 865 T8	50 to 60 Hz	50 to 60 Hz	15.5 W
929003557121	MAS LEDtube VLE DC 1200mm 15.5W 830 T8	50 to 60 Hz	50 to 60 Hz	15.5 W
929002443801	LED 4.5W 310mm S19 WW ND 1CT/4	50 to 60 Hz	50 to 60 Hz	4.5 W
929002387208	MAS Ledtube 600mm HO 8.3W 840 T5 DC	- Hz	- Hz	8.3 W

Order Code	Full Product Name	Input	Line	Power
		Frequency	Frequency	Consumption
929002387308	MAS Ledtube 600mm HO 8.3W 865 T5 DC	- Hz	- Hz	8.3 W
929002387408	MAS Ledtube 1200mm HO 16W 840 T5 DC	- Hz	- Hz	16 W
929002387508	MAS Ledtube 1200mm HO 16W 865 T5 DC	- Hz	- Hz	16 W
929002444301	LED 3.5W 500mm S14S WW ND 1CT/4	50 to 60 Hz	50 to 60 Hz	3.5 W
929002444101	LED 3.5W 500mm S14D WW ND 1CT/4	50 to 60 Hz	50 to 60 Hz	3.5 W

Temperature

Order Code	Full Product Name	T-Case Maximum (Nom)
929002444201	LED 2.2W 300mm S14S WW ND 1CT/4	30 °C
929003554721	MAS LEDtube VLE DC 1200mm 15.5W 865 T8	45 °C
929003557121	MAS LEDtube VLE DC 1200mm 15.5W 830 T8	45 °C
929002443801	LED 4.5W 310mm S19 WW ND 1CT/4	30 °C
929002387208	MAS Ledtube 600mm HO 8.3W 840 T5 DC	45 °C

Order Code	Full Product Name	T-Case Maximum (Nom)
929002387308	MAS Ledtube 600mm HO 8.3W 865 T5 DC	45 °C
929002387408	MAS Ledtube 1200mm HO 16W 840 T5 DC	55 °C
929002387508	MAS Ledtube 1200mm HO 16W 865 T5 DC	55 °C
929002444301	LED 3.5W 500mm S14S WW ND 1CT/4	30 °C
929002444101	LED 3.5W 500mm S14D WW ND 1CT/4	30 °C

Controls and Dimming

Order Code	Full Product Name	Dimmable
929002444201	LED 2.2W 300mm S14S WW ND 1CT/4	No
929003554721	MAS LEDtube VLE DC 1200mm 15.5W 865 T8	No

Order Code	Full Product Name	Dimmable
929003557121	MAS LEDtube VLE DC 1200mm 15.5W 830 T8	No
929002443801	LED 4.5W 310mm S19 WW ND 1CT/4	No

Other LED tube

Order Code	Full Product Name	Dimmable
929002387208	MAS Ledtube 600mm HO 8.3W 840 T5 DC	Yes
929002387308	MAS Ledtube 600mm HO 8.3W 865 T5 DC	Yes
929002387408	MAS Ledtube 1200mm HO 16W 840 T5 DC	Yes

Order Code	Full Product Name	Dimmable
929002387508	MAS Ledtube 1200mm HO 16W 865 T5 DC	Yes
929002444301	LED 3.5W 500mm S14S WW ND 1CT/4	No
929002444101	LED 3.5W 500mm S14D WW ND 1CT/4	No

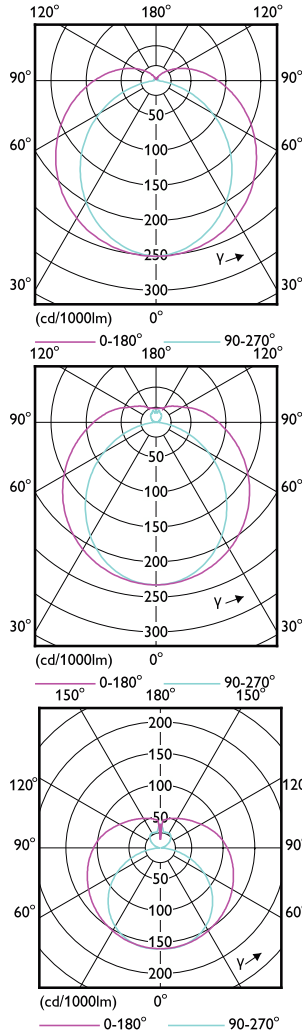
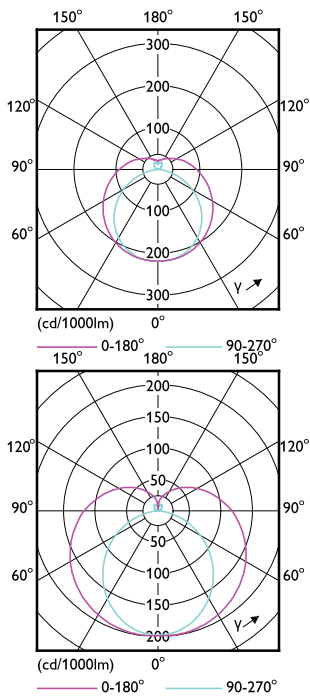
Mechanical and Housing

Order Code	Full Product Name	Bulb Shape
929002444201	LED 2.2W 300mm S14S WW ND 1CT/4	Others
929003554721	MAS LEDtube VLE DC 1200mm 15.5W 865 T8	T8
929003557121	MAS LEDtube VLE DC 1200mm 15.5W 830 T8	T8
929002443801	LED 4.5W 310mm S19 WW ND 1CT/4	Others
929002387208	MAS Ledtube 600mm HO 8.3W 840 T5 DC	T5

Order Code	Full Product Name	Bulb Shape
929002387308	MAS Ledtube 600mm HO 8.3W 865 T5 DC	T5
929002387408	MAS Ledtube 1200mm HO 16W 840 T5 DC	T5
929002387508	MAS Ledtube 1200mm HO 16W 865 T5 DC	T5
929002444301	LED 3.5W 500mm S14S WW ND 1CT/4	Others
929002444101	LED 3.5W 500mm S14D WW ND 1CT/4	Others

Approval and Application

Order Code	Full Product Name	Energy Consumption kWh/1000 h
929002444201	LED 2.2W 300mm S14S WW ND 1CT/4	3 kWh
929003554721	MAS LEDtube VLE DC 1200mm 15.5W 865 T8	-
929003557121	MAS LEDtube VLE DC 1200mm 15.5W 830 T8	-
929002443801	LED 4.5W 310mm S19 WW ND 1CT/4	5 kWh
929002387208	MAS Ledtube 600mm HO 8.3W 840 T5 DC	9 kWh
929002387308	MAS Ledtube 600mm HO 8.3W 865 T5 DC	9 kWh
929002387408	MAS Ledtube 1200mm HO 16W 840 T5 DC	16 kWh
929002387508	MAS Ledtube 1200mm HO 16W 865 T5 DC	16 kWh
929002444301	LED 3.5W 500mm S14S WW ND 1CT/4	4 kWh
929002444101	LED 3.5W 500mm S14D WW ND 1CT/4	4 kWh



Other LED tube

