



# For top performance and sustainability

## MASTER LEDtube T8

The Philips MASTER LEDtube integrates a LED light source into a traditional fluorescent form factor. Its unique design creates a perfectly uniform visual appearance, which cannot be distinguished from traditional fluorescent. These T8 LED tubes are the right choice for absolute performance and are designed to stand up to everyday conditions. Unparalleled savings thanks to low energy consumption and an exceptionally long lifetime ensure this tube masters every demanding application.

### Benefits

- Absolute performance that provides a solution for every application
- Unparalleled savings with low energy consumption and long lifetime
- Robust and reliable: stands up to everyday conditions

### Features

- Retrofit existing T8 lamps on EM ballast or mains
- > 50% energy savings compared to fluorescent tubes with up to 185lm/W
- Extra-long life up to 75,000 hours
- Shatterproof, passing drop test horizontally from a height of 4m on to a flat concrete according to IEC 61549.
- Enable easy implementation of HACCP without need for additional guard, supported by product level NSF certificate
- 160° small beam angle to ensure higher flux where needed
- No mercury

### Application

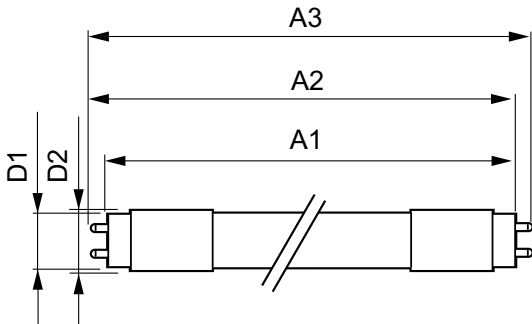
- Parking lots / covered car parks
- Warehouses / coldrooms / signage
- Transport and distribution areas
- Food & Museums

# MASTER LEDtube T8

## Warnings and Safety

- NOTE: The overall energy efficiency and light distribution of any installation that uses these lamps will be determined by the design of the installation.

## Dimensional drawing



Product	D1	D2	A1	A2	A3
MAS LEDtube 1200mm HO 13W830 T8	25.8 mm	28 mm	1,198.2 mm	1,205.3 mm	1,212.4 mm
MAS LEDtube 1200mm HO 13W840 T8	25.8 mm	28 mm	1,198.2 mm	1,205.3 mm	1,212.4 mm
MAS LEDtube 1200mm HO 13W865 T8	25.8 mm	28 mm	1,198.2 mm	1,205.3 mm	1,212.4 mm
MAS LEDtube 1200mm HO 14W830 T8	25.8 mm	28 mm	1,198.2 mm	1,205.3 mm	1,212.4 mm
MAS LEDtube 1200mm HO 14W840 T8	25.8 mm	28 mm	1,198.2 mm	1,205.3 mm	1,212.4 mm
MAS LEDtube 1200mm HO 14W865 T8	25.8 mm	28 mm	1,198.2 mm	1,205.3 mm	1,212.4 mm
MAS LEDtube 1200mm MO 23W840 T8	25.7 mm	28 mm	1,199.4 mm	1,206.5 mm	1,213.6 mm
MAS LEDtube 1200mm MO 23W865 T8	25.7 mm	28 mm	1,199.4 mm	1,206.5 mm	1,213.6 mm
MAS LEDtube 1200mm UO+ 18.7W840 T8	25.7 mm	28 mm	1,199.4 mm	1,206.5 mm	1,213.6 mm
MAS LEDtube 1200mm UO+ 18.7W865 T8	25.7 mm	28 mm	1,199.4 mm	1,206.5 mm	1,213.6 mm
MAS LEDtube 600mm HO 8W830 T8	25.8 mm	28 mm	595.7 mm	598.8 mm	604 mm
MAS LEDtube 600mm HO 8W830 T8	25.8 mm	28 mm	588.5 mm	595.5 mm	602.5 mm
MAS LEDtube 600mm HO 8W840 T8	25.8 mm	28 mm	595.7 mm	598.8 mm	604 mm
MAS LEDtube 600mm HO 8W840 T8	25.8 mm	28 mm	588.5 mm	595.5 mm	602.5 mm
MAS LEDtube 600mm HO 8W865 T8	25.8 mm	28 mm	595.7 mm	598.8 mm	604 mm
MAS LEDtube 600mm HO 8W865 T8	25.8 mm	28 mm	588.5 mm	595.5 mm	602.5 mm
MAS LEDtube STD 1200mm 10.5W840 T8	25.8 mm	28 mm	1,198.2 mm	1,205.3 mm	1,212.4 mm
MAS LEDtube STD 1200mm 10.5W865 T8	25.8 mm	28 mm	1,198.2 mm	1,205.3 mm	1,212.4 mm
MAS LEDtube STD 1200mm 10W840 T8	25.8 mm	28 mm	1,198.2 mm	1,205.3 mm	1,212.4 mm
MAS LEDtube STD 1200mm 10W865 T8	25.8 mm	28 mm	1,198.2 mm	1,205.3 mm	1,212.4 mm

# MASTER LEDtube T8

General Information	
Cap-Base	G13
Switching Cycle	200,000
Nominal lifetime	60,000 hour(s)
Light Technical	
LLMF At End Of Nominal Lifetime (Nom)	70 %
Operating and Electrical	
Input Frequency	50 to 60 Hz
Starting Time (Nom)	0.5 s
Controls and Dimming	
Dimmable	No
Mechanical and Housing	
Bulb Finish	Frosted
Bulb Shape	T8

## Light Technical (1/2)

Order Code	Full Product Name	Beam Angle (Nom)	Correlated Color Temperature (Nom)	Color rendering index (CRI)	Color Code
929003555808	MAS LEDtube STD 1200mm 10.5W840 T8	190 degree(s)	4000 K	80	840
929003555908	MAS LEDtube STD 1200mm 10.5W865 T8	190 degree(s)	6500 K	80	865
929003556008	MAS LEDtube 1200mm HO 14W830 T8	190 degree(s)	3000 K	80	830
929003556108	MAS LEDtube 1200mm HO 14W840 T8	190 degree(s)	4000 K	80	840
929003556208	MAS LEDtube 1200mm HO 14W865 T8	190 degree(s)	6500 K	80	865
929003557208	MAS LEDtube 600mm HO 8W830 T8	190 degree(s)	3000 K	83	830
929003557308	MAS LEDtube 600mm HO 8W840 T8	190 degree(s)	4000 K	83	840
929003557408	MAS LEDtube 600mm HO 8W865 T8	190 degree(s)	6500 K	83	865
929003805708	MAS LEDtube 600mm HO 8W830 T8	190 degree(s)	3000 K	80	830
929003805808	MAS LEDtube 600mm HO 8W840 T8	190 degree(s)	4000 K	80	840
929003805908	MAS LEDtube 600mm HO 8W865 T8	190 degree(s)	6500 K	80	865
929003806008	MAS LEDtube 1200mm HO 13W830 T8	190 degree(s)	3000 K	80	830
929003806108	MAS LEDtube 1200mm HO 13W840 T8	190 degree(s)	4000 K	80	840
929003806208	MAS LEDtube 1200mm HO 13W865 T8	190 degree(s)	6500 K	80	865
929003806308	MAS LEDtube STD 1200mm 10W840 T8	190 degree(s)	4000 K	80	840
929003806408	MAS LEDtube STD 1200mm 10W865 T8	190 degree(s)	6500 K	80	865
929004245808	MAS LEDtube 1200mm UO+ 18.7W840 T8	160 degree(s)	4000 K	80	840
929004245908	MAS LEDtube 1200mm UO+ 18.7W865 T8	160 degree(s)	6500 K	80	865
929004246008	MAS LEDtube 1200mm MO 23W840 T8	160 degree(s)	4000 K	80	840
929004246108	MAS LEDtube 1200mm MO 23W865 T8	160 degree(s)	6500 K	80	865

## Light Technical (2/2)

Order Code	Full Product Name	Luminous Flux	Order Code	Full Product Name	Luminous Flux
929003555808	MAS LEDtube STD 1200mm 10.5W840 T8	1,600 lm	929003556208	MAS LEDtube 1200mm HO 14W865 T8	2,100 lm
929003555908	MAS LEDtube STD 1200mm 10.5W865 T8	1,600 lm	929003557208	MAS LEDtube 600mm HO 8W830 T8	1,000 lm
929003556008	MAS LEDtube 1200mm HO 14W830 T8	2,000 lm	929003557308	MAS LEDtube 600mm HO 8W840 T8	1,050 lm
929003556108	MAS LEDtube 1200mm HO 14W840 T8	2,100 lm	929003557408	MAS LEDtube 600mm HO 8W865 T8	1,050 lm

## MASTER LEDtube T8

Order Code	Full Product Name	Luminous Flux
929003805708	MAS LEDtube 600mm HO 8W830 T8	1,150 lm
929003805808	MAS LEDtube 600mm HO 8W840 T8	1,200 lm
929003805908	MAS LEDtube 600mm HO 8W865 T8	1,200 lm
929003806008	MAS LEDtube 1200mm HO 13W830 T8	2,000 lm
929003806108	MAS LEDtube 1200mm HO 13W840 T8	2,100 lm
929003806208	MAS LEDtube 1200mm HO 13W865 T8	2,100 lm

Order Code	Full Product Name	Luminous Flux
929003806308	MAS LEDtube STD 1200mm 10W840 T8	1,600 lm
929003806408	MAS LEDtube STD 1200mm 10W865 T8	1,600 lm
929004245808	MAS LEDtube 1200mm UO+ 18.7W840 T8	3,000 lm
929004245908	MAS LEDtube 1200mm UO+ 18.7W865 T8	3,000 lm
929004246008	MAS LEDtube 1200mm MO 23W840 T8	3,700 lm
929004246108	MAS LEDtube 1200mm MO 23W865 T8	3,700 lm

### Operating and Electrical

Order Code	Full Product Name	Line Frequency	Power Consumption	Wattage Equivalent
929003555808	MAS LEDtube STD 1200mm 10.5W840 T8	50 to 60 Hz	10.5 W	-
929003555908	MAS LEDtube STD 1200mm 10.5W865 T8	50 to 60 Hz	10.5 W	-
929003556008	MAS LEDtube 1200mm HO 14W830 T8	50 to 60 Hz	14 W	-
929003556108	MAS LEDtube 1200mm HO 14W840 T8	50 to 60 Hz	14 W	-
929003556208	MAS LEDtube 1200mm HO 14W865 T8	50 to 60 Hz	14 W	-
929003557208	MAS LEDtube 600mm HO 8W830 T8	50 to 60 Hz	8 W	-
929003557308	MAS LEDtube 600mm HO 8W840 T8	50 to 60 Hz	8 W	-
929003557408	MAS LEDtube 600mm HO 8W865 T8	50 to 60 Hz	8 W	-
929003805708	MAS LEDtube 600mm HO 8W830 T8	-	8 W	18 W
929003805808	MAS LEDtube 600mm HO 8W840 T8	-	8 W	18 W

Order Code	Full Product Name	Line Frequency	Power Consumption	Wattage Equivalent
929003805908	MAS LEDtube 600mm HO 8W865 T8	-	8 W	18 W
929003806008	MAS LEDtube 1200mm HO 13W830 T8	-	13 W	36 W
929003806108	MAS LEDtube 1200mm HO 13W840 T8	-	13 W	36 W
929003806208	MAS LEDtube 1200mm HO 13W865 T8	-	13 W	36 W
929003806308	MAS LEDtube STD 1200mm 10W840 T8	-	10 W	36 W
929003806408	MAS LEDtube STD 1200mm 10W865 T8	-	10 W	36 W
929004245808	MAS LEDtube 1200mm UO+ 18.7W840 T8	-	18.7 W	38 W
929004245908	MAS LEDtube 1200mm UO+ 18.7W865 T8	-	18.7 W	38 W
929004246008	MAS LEDtube 1200mm MO 23W840 T8	-	23 W	48 W
929004246108	MAS LEDtube 1200mm MO 23W865 T8	-	23 W	48 W

### Temperature

Order Code	Full Product Name	T-Case Maximum (Nom)
929003555808	MAS LEDtube STD 1200mm 10.5W840 T8	50 °C
929003555908	MAS LEDtube STD 1200mm 10.5W865 T8	50 °C
929003556008	MAS LEDtube 1200mm HO 14W830 T8	50 °C
929003556108	MAS LEDtube 1200mm HO 14W840 T8	50 °C
929003556208	MAS LEDtube 1200mm HO 14W865 T8	50 °C
929003557208	MAS LEDtube 600mm HO 8W830 T8	50 °C

Order Code	Full Product Name	T-Case Maximum (Nom)
929003557308	MAS LEDtube 600mm HO 8W840 T8	50 °C
929003557408	MAS LEDtube 600mm HO 8W865 T8	50 °C
929003805708	MAS LEDtube 600mm HO 8W830 T8	50 °C
929003805808	MAS LEDtube 600mm HO 8W840 T8	50 °C
929003805908	MAS LEDtube 600mm HO 8W865 T8	50 °C
929003806008	MAS LEDtube 1200mm HO 13W830 T8	50 °C

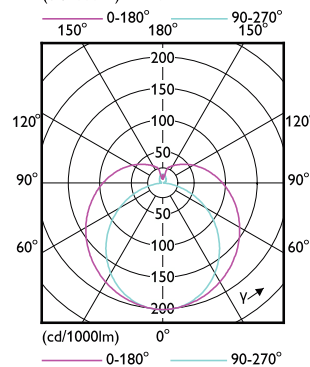
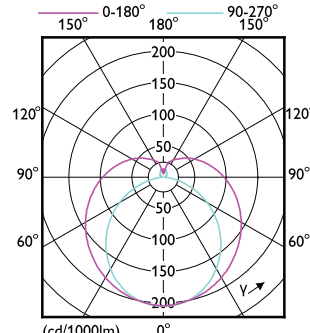
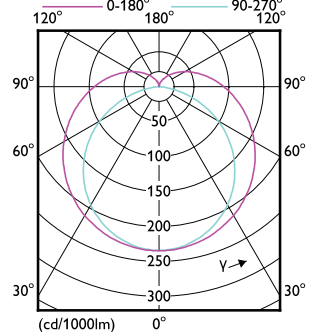
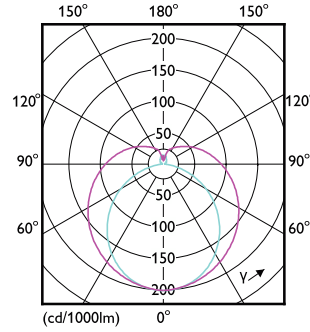
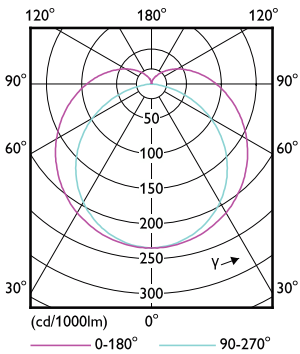
# MASTER LEDtube T8

Order Code	Full Product Name	T-Case Maximum (Nom)
929003806108	MAS LEDtube 1200mm HO 13W840 T8	50 °C
929003806208	MAS LEDtube 1200mm HO 13W865 T8	50 °C
929003806308	MAS LEDtube STD 1200mm 10W840 T8	50 °C
929003806408	MAS LEDtube STD 1200mm 10W865 T8	50 °C

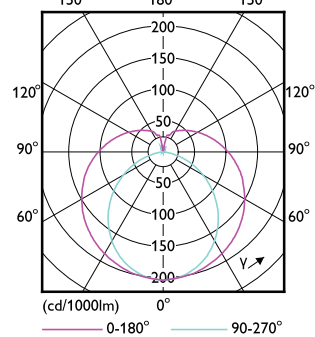
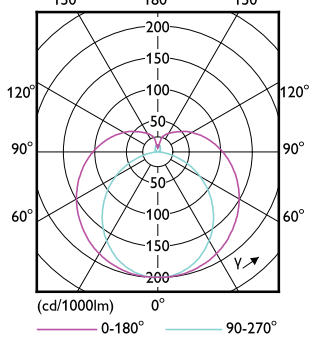
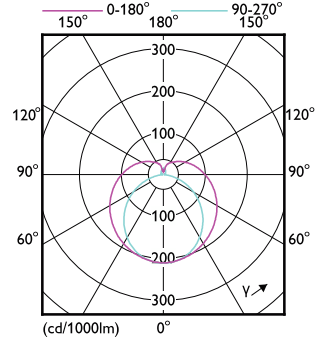
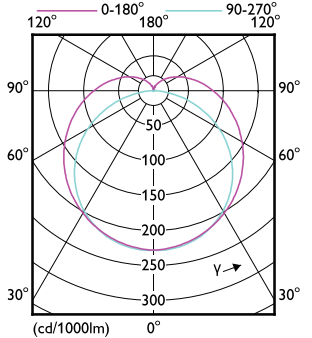
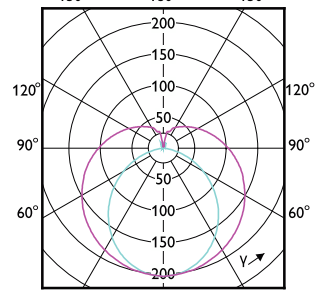
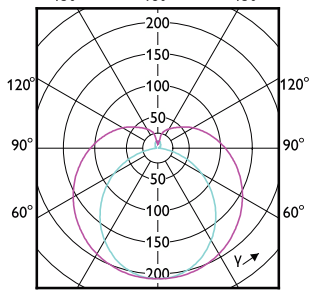
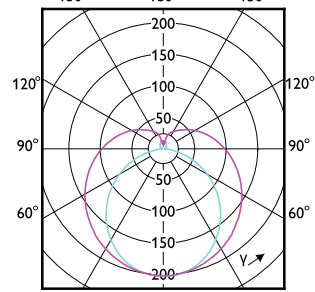
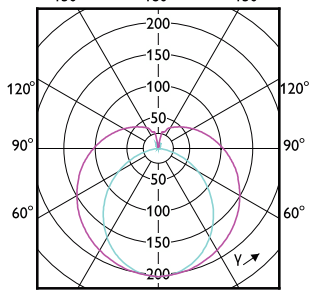
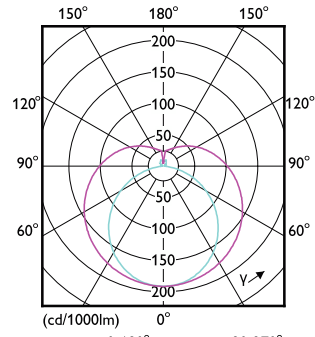
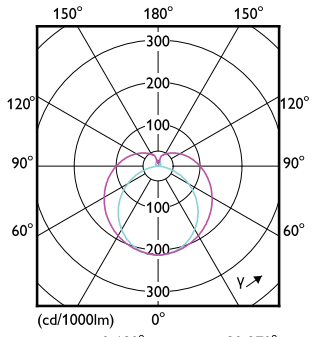
Order Code	Full Product Name	T-Case Maximum (Nom)
929004245808	MAS LEDtube 1200mm UO+ 18.7W840 T8	50 °C
929004245908	MAS LEDtube 1200mm UO+ 18.7W865 T8	50 °C
929004246008	MAS LEDtube 1200mm MO 23W840 T8	55 °C
929004246108	MAS LEDtube 1200mm MO 23W865 T8	55 °C

## Approval and Application

Order Code	Full Product Name	Ambient temperature range
929003555808	MAS LEDtube STD 1200mm 10.5W840 T8	-20 °C to 45 °C
929003555908	MAS LEDtube STD 1200mm 10.5W865 T8	-20 °C to 45 °C
929003556008	MAS LEDtube 1200mm HO 14W830 T8	-20 °C to 45 °C
929003556108	MAS LEDtube 1200mm HO 14W840 T8	-20 °C to 45 °C
929003556208	MAS LEDtube 1200mm HO 14W865 T8	-20 °C to 45 °C
929003557208	MAS LEDtube 600mm HO 8W830 T8	-20 °C to 45 °C
929003557308	MAS LEDtube 600mm HO 8W840 T8	-20 °C to 45 °C
929003557408	MAS LEDtube 600mm HO 8W865 T8	-20 °C to 45 °C
929003805708	MAS LEDtube 600mm HO 8W830 T8	-20 to +45 °C
929003805808	MAS LEDtube 600mm HO 8W840 T8	-20 to +45 °C
929003805908	MAS LEDtube 600mm HO 8W865 T8	-20 to +45 °C
929003806008	MAS LEDtube 1200mm HO 13W830 T8	-20 to +45 °C
929003806108	MAS LEDtube 1200mm HO 13W840 T8	-20 to +45 °C
929003806208	MAS LEDtube 1200mm HO 13W865 T8	-20 to +45 °C
929003806308	MAS LEDtube STD 1200mm 10W840 T8	-20 to +45 °C
929003806408	MAS LEDtube STD 1200mm 10W865 T8	-20 to +45 °C
929004245808	MAS LEDtube 1200mm UO+ 18.7W840 T8	-20 to +45 °C
929004245908	MAS LEDtube 1200mm UO+ 18.7W865 T8	-20 to +45 °C
929004246008	MAS LEDtube 1200mm MO 23W840 T8	-20 to +45 °C
929004246108	MAS LEDtube 1200mm MO 23W865 T8	-20 to +45 °C



# MASTER LEDtube T8



# MASTER LEDtube T8

