



# The new generation of energy saving tube lighting

## MASTER LEDtube T8

The Philips MASTER LEDtube integrates a LED light source into a traditional fluorescent form factor. Its unique design creates a perfectly uniform visual appearance which cannot be distinguished from traditional fluorescent. For those that are looking for value for money within limited budget and re-lamping efforts for better light effect and lifetime.

### Benefits

- Reduced operational cost thanks to lower energy consumption
- Lower maintenance cost thanks to 2-3 times longer lifetime than normal fluorescent tubes
- Fastest and easiest way to upgrade existing luminaire to LED technology; 100%-safe installation process

### Features

- Only 50% energy consumption compared to fluorescent tubes
- Extra-long life of 40,000 hours
- Retrofit to existing T8 lamps on EM ballast installations
- Full safety features and EM Protector safety device
- No mercury

### Application

- Parking lots / covered car parks
- Warehouses / coldrooms / signage
- Transport and distribution areas
- Food & Museums

# MASTER LEDtube T8

## Warnings and Safety

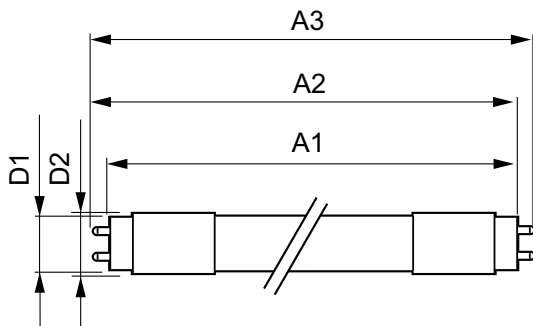
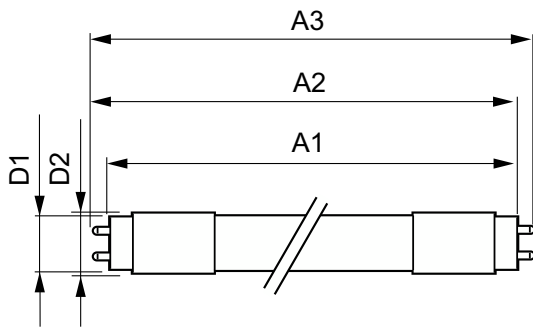
· -

## Versions



LEDtube MAS GM 20,5W G13

## Dimensional drawing

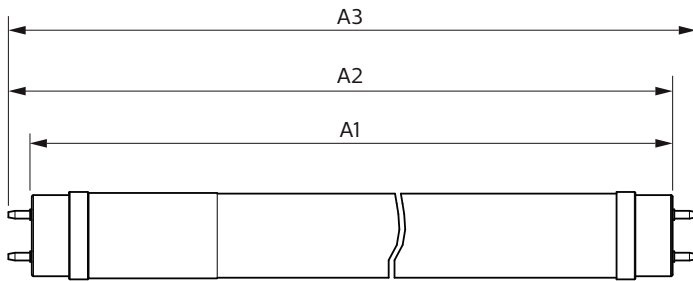


Product	D1	D2	A1	A2	A3
MAS LEDtube 1200mm 20.5W 850 T8 JP G2	25.8 mm	28.1 mm	1,198.2 mm	1,205.3 mm	1,212.4 mm
MAS LEDtube 1200mm 20.5W 865 T8 JP G2	25.8 mm	28.1 mm	1,198.2 mm	1,205.3 mm	1,212.4 mm

Product	D1	D2	A1	A2	A3
MAS LEDtube 1200mm HO 13W830 T8	25.8 mm	28 mm	1,198.2 mm	1,205.3 mm	1,212.4 mm
MAS LEDtube 1200mm HO 13W840 T8	25.8 mm	28 mm	1,198.2 mm	1,205.3 mm	1,212.4 mm
MAS LEDtube 1200mm HO 13W865 T8	25.8 mm	28 mm	1,198.2 mm	1,205.3 mm	1,212.4 mm
MAS LEDtube 1200mm HO 14W865 T8	25.8 mm	28 mm	1,198.2 mm	1,205.3 mm	1,212.4 mm
MAS LEDtube 1200mm MO 23W840 T8	25.7 mm	28 mm	1,199.4 mm	1,206.5 mm	1,213.6 mm
MAS LEDtube 1200mm MO 23W865 T8	25.7 mm	28 mm	1,199.4 mm	1,206.5 mm	1,213.6 mm
MAS LEDtube 600mm HO 8W830 T8	25.8 mm	28 mm	595.7 mm	598.8 mm	604 mm
MAS LEDtube 600mm HO 8W840 T8	25.8 mm	28 mm	595.7 mm	598.8 mm	604 mm
MAS LEDtube 600mm HO 8W865 T8	25.8 mm	28 mm	595.7 mm	598.8 mm	604 mm
MAS LEDtube STD 1200mm 10.5W865 T8	25.8 mm	28 mm	1,198.2 mm	1,205.3 mm	1,212.4 mm

# MASTER LEDtube T8

## Dimensional drawing



Product	D1	D2	A1	A2	A3
MAS LEDtube DE 1200mm 13W840 100-240V T8	26 mm	28 mm	1,198 mm	1,205 mm	1,212 mm
MAS LEDtube DE 1200mm 13W865 100-240V T8	26 mm	28 mm	1,198 mm	1,205 mm	1,212 mm

General Information	
Cap-Base	G13
Switching Cycle	200,000
Light Technical	
LLMF At End Of Nominal Lifetime (Nom)	70 %
Operating and Electrical	
Input Frequency	50 to 60 Hz
Starting Time (Nom)	0.5 s
Controls and Dimming	
Dimmable	No
Mechanical and Housing	
Bulb Finish	Frosted
Bulb Shape	T8

## General Information

Order Code	Full Product Name	Nominal lifetime
46844300	MASTER LEDtube STD 1200mm 10.5W865 T8	60,000 hour(s)
46850400	MASTER LEDtube 1200mm HO 14W865 T8	60,000 hour(s)
31591400	MASTER LEDtube 600mm HO 8W830 T8	60,000 hour(s)
31593800	MASTER LEDtube 600mm HO 8W840 T8	60,000 hour(s)
31597600	MASTER LEDtube 600mm HO 8W865 T8	60,000 hour(s)
31605800	MASTER LEDtube 1200mm HO 13W830 T8	60,000 hour(s)
31607200	MASTER LEDtube 1200mm HO 13W840 T8	60,000 hour(s)
31611900	MASTER LEDtube 1200mm HO 13W865 T8	60,000 hour(s)
39080500	MASTER LEDtube 1200mm MO 23W840 T8	60,000 hour(s)
39082900	MASTER LEDtube 1200mm MO 23W865 T8	60,000 hour(s)
34096100	MASTER LEDtube 1200mm 20.5W 850 T8 JP G2	50,000 hour(s)
34090900	MASTER LEDtube 1200mm 20.5W 865 T8 JP G2	50,000 hour(s)
30112200	MASTER LEDtube DE 1200mm 13W865 100-240V T8	50,000 hour(s)
30116000	MASTER LEDtube DE 1200mm 13W840 100-240V T8	50,000 hour(s)

## Light Technical (1/2)

Order Code	Full Product Name	Beam Angle (Nom)	Correlated		
			Color Temperature (Nom)	Color rendering index (CRI)	Color Code
46844300	MASTER LEDtube STD 1200mm 10.5W865 T8	190 degree(s)	6500 K	80	865
46850400	MASTER LEDtube 1200mm HO 14W865 T8	190 degree(s)	6500 K	80	865
31591400	MASTER LEDtube 600mm HO 8W830 T8	190 degree(s)	3000 K	80	830
31593800	MASTER LEDtube 600mm HO 8W840 T8	190 degree(s)	4000 K	80	840

Order Code	Full Product Name	Beam Angle (Nom)	Correlated		
			Color Temperature (Nom)	Color rendering index (CRI)	Color Code
31597600	MASTER LEDtube 600mm HO 8W865 T8	190 degree(s)	6500 K	80	865
31605800	MASTER LEDtube 1200mm HO 13W830 T8	190 degree(s)	3000 K	80	830
31607200	MASTER LEDtube 1200mm HO 13W840 T8	190 degree(s)	4000 K	80	840
31611900	MASTER LEDtube 1200mm HO 13W865 T8	190 degree(s)	6500 K	80	865

## MASTER LEDtube T8

Order Code	Full Product Name	Beam Angle (Nom)	Correlated		
			Color Temperature (Nom)	Color rendering index (CRI)	Color Code
39080500	MASTER LEDtube 1200mm MO 23W840 T8	160 degree(s)	4000 K	80	840
39082900	MASTER LEDtube 1200mm MO 23W865 T8	160 degree(s)	6500 K	80	865
34096100	MASTER LEDtube 1200mm 20.5W 850 T8 JP G2	190 degree(s)	5000 K	83	850
34090900	MASTER LEDtube 1200mm 20.5W 865 T8 JP G2	190 degree(s)	6500 K	83	865

Order Code	Full Product Name	Beam Angle (Nom)	Correlated		
			Color Temperature (Nom)	Color rendering index (CRI)	Color Code
30112200	MASTER LEDtube DE 1200mm 13W865 100-240V T8	240 degree(s)	6500 K	80	865
30116000	MASTER LEDtube DE 1200mm 13W840 100-240V T8	240 degree(s)	4000 K	80	840

### Light Technical (2/2)

Order Code	Full Product Name	Luminous Flux
46844300	MASTER LEDtube STD 1200mm 10.5W865 T8	1,600 lm
46850400	MASTER LEDtube 1200mm HO 14W865 T8	2,100 lm
31591400	MASTER LEDtube 600mm HO 8W830 T8	1,150 lm
31593800	MASTER LEDtube 600mm HO 8W840 T8	1,200 lm
31597600	MASTER LEDtube 600mm HO 8W865 T8	1,200 lm
31605800	MASTER LEDtube 1200mm HO 13W830 T8	2,000 lm
31607200	MASTER LEDtube 1200mm HO 13W840 T8	2,100 lm

Order Code	Full Product Name	Luminous Flux
31611900	MASTER LEDtube 1200mm HO 13W865 T8	2,100 lm
39080500	MASTER LEDtube 1200mm MO 23W840 T8	3,700 lm
39082900	MASTER LEDtube 1200mm MO 23W865 T8	3,700 lm
34096100	MASTER LEDtube 1200mm 20.5W 850 T8 JP G2	3,300 lm
34090900	MASTER LEDtube 1200mm 20.5W 865 T8 JP G2	3,300 lm
30112200	MASTER LEDtube DE 1200mm 13W865 100-240V T8	2,100 lm
30116000	MASTER LEDtube DE 1200mm 13W840 100-240V T8	2,100 lm

### Operating and Electrical

Order Code	Full Product Name	Line	Power	Wattage
		Frequency	Consumption	Equivalent
46844300	MASTER LEDtube STD 1200mm 10.5W865 T8	50 to 60 Hz	10.5 W	-
46850400	MASTER LEDtube 1200mm HO 14W865 T8	50 to 60 Hz	14 W	-
31591400	MASTER LEDtube 600mm HO 8W830 T8	-	8 W	18 W
31593800	MASTER LEDtube 600mm HO 8W840 T8	-	8 W	18 W
31597600	MASTER LEDtube 600mm HO 8W865 T8	-	8 W	18 W
31605800	MASTER LEDtube 1200mm HO 13W830 T8	-	13 W	36 W
31607200	MASTER LEDtube 1200mm HO 13W840 T8	-	13 W	36 W
31611900	MASTER LEDtube 1200mm HO 13W865 T8	-	13 W	36 W

Order Code	Full Product Name	Line	Power	Wattage
		Frequency	Consumption	Equivalent
39080500	MASTER LEDtube 1200mm MO 23W840 T8	-	23 W	48 W
39082900	MASTER LEDtube 1200mm MO 23W865 T8	-	23 W	48 W
34096100	MASTER LEDtube 1200mm 20.5W 850 T8 JP G2	-	20.5 W	36 W
34090900	MASTER LEDtube 1200mm 20.5W 865 T8 JP G2	-	20.5 W	36 W
30112200	MASTER LEDtube DE 1200mm 13W865 100-240V T8	50 to 60 Hz	13 W	-
30116000	MASTER LEDtube DE 1200mm 13W840 100-240V T8	50 to 60 Hz	13 W	-

# MASTER LEDtube T8

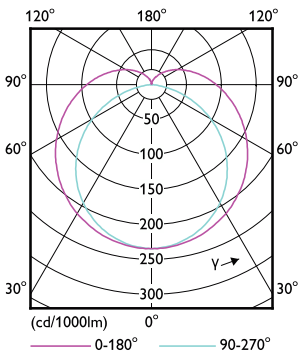
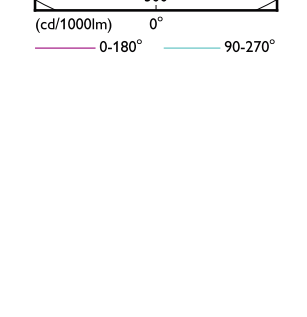
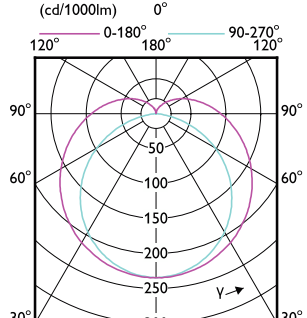
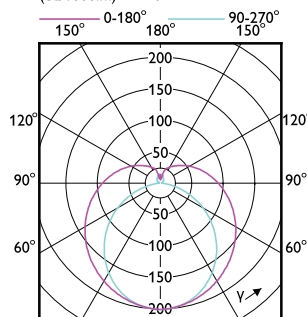
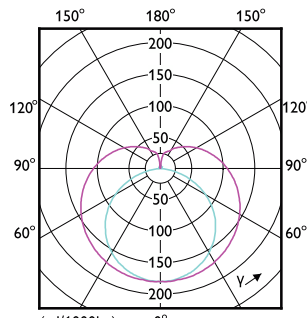
## Temperature

Order Code	Full Product Name	T-Case Maximum (Nom)
46844300	MASTER LEDtube STD 1200mm 10.5W865 T8	50 °C
46850400	MASTER LEDtube 1200mm HO 14W865 T8	50 °C
31591400	MASTER LEDtube 600mm HO 8W830 T8	50 °C
31593800	MASTER LEDtube 600mm HO 8W840 T8	50 °C
31597600	MASTER LEDtube 600mm HO 8W865 T8	50 °C
31605800	MASTER LEDtube 1200mm HO 13W830 T8	50 °C
31607200	MASTER LEDtube 1200mm HO 13W840 T8	50 °C
31611900	MASTER LEDtube 1200mm HO 13W865 T8	50 °C

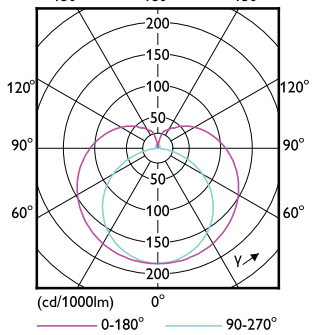
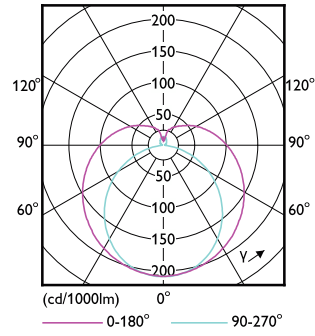
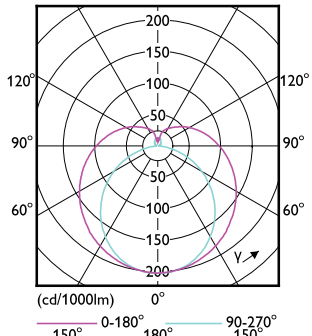
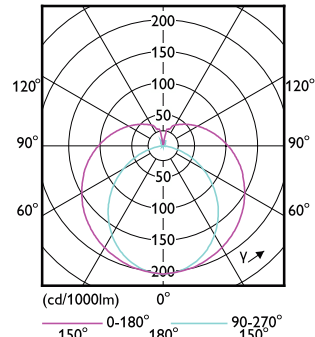
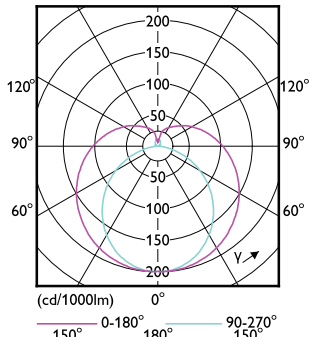
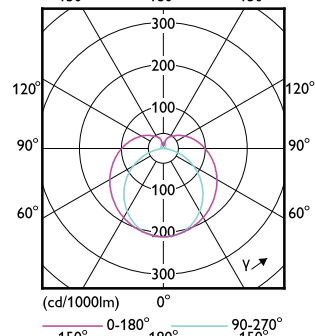
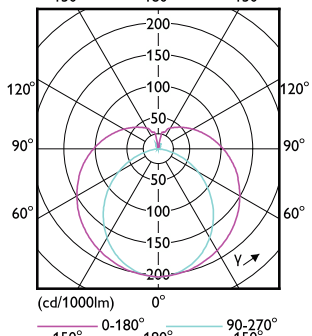
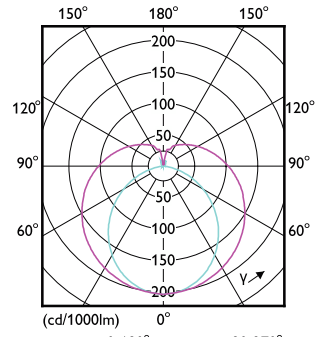
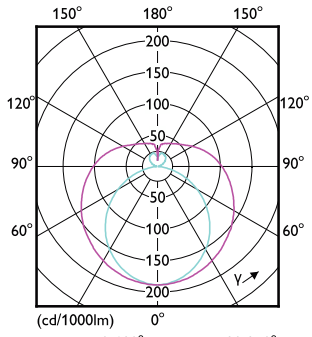
Order Code	Full Product Name	T-Case Maximum (Nom)
39080500	MASTER LEDtube 1200mm MO 23W840 T8	55 °C
39082900	MASTER LEDtube 1200mm MO 23W865 T8	55 °C
34096100	MASTER LEDtube 1200mm 20.5W 850 T8 JP G2	60 °C
34090900	MASTER LEDtube 1200mm 20.5W 865 T8 JP G2	60 °C
30112200	MASTER LEDtube DE 1200mm 13W865 100-240V T8	65 °C
30116000	MASTER LEDtube DE 1200mm 13W840 100-240V T8	65 °C

## Approval and Application

Order Code	Full Product Name	Ambient temperature range
46844300	MASTER LEDtube STD 1200mm 10.5W865 T8	-20 °C to 45 °C
46850400	MASTER LEDtube 1200mm HO 14W865 T8	-20 °C to 45 °C
31591400	MASTER LEDtube 600mm HO 8W830 T8	-20 to +45 °C
31593800	MASTER LEDtube 600mm HO 8W840 T8	-20 to +45 °C
31597600	MASTER LEDtube 600mm HO 8W865 T8	-20 to +45 °C
31605800	MASTER LEDtube 1200mm HO 13W830 T8	-20 to +45 °C
31607200	MASTER LEDtube 1200mm HO 13W840 T8	-20 to +45 °C
31611900	MASTER LEDtube 1200mm HO 13W865 T8	-20 to +45 °C
39080500	MASTER LEDtube 1200mm MO 23W840 T8	-20 to +45 °C
39082900	MASTER LEDtube 1200mm MO 23W865 T8	-20 to +45 °C
34096100	MASTER LEDtube 1200mm 20.5W 850 T8 JP G2	-20 to +45 °C
34090900	MASTER LEDtube 1200mm 20.5W 865 T8 JP G2	-20 to +45 °C
30112200	MASTER LEDtube DE 1200mm 13W865 100-240V T8	-20 °C to 45 °C
30116000	MASTER LEDtube DE 1200mm 13W840 100-240V T8	-20 °C to 45 °C



# MASTER LEDtube T8



# MASTER LEDtube T8

