



The LEDlamps are ideal for general lighting applications

CorePro Plastic LED bulbs

Delivering a warm, halogen-like accent beam, LEDspots are a perfect fit for spot lighting and have a broad compatibility with transformers. LEDspots are compatible with most existing fixtures with a GU10 / MR16 GU5.3 / E14 holder and are designed as a retrofit replacement for halogen or incandescent spots. LEDbulbs are compatible with existing fixtures with an E27 holder and are designed for retrofit replacement of incandescent bulbs. LEDcandle and LEDluster are compatible with existing fixtures with an E27/E14 holder and are designed for retrofit replacement of incandescent lamps. LEDlamps deliver huge energy savings and minimize maintenance cost

Benefits

- Up to 80% energy saving compared with halogen lamps
- Retrofittable
- Lower maintenance costs

Features

- Non dimmable
- Warm white light
- Lifetime of 15,000 hours
- UV- and IR-free light for less heat and protection for heat-sensitive objects

Application

- Hotels, restaurants, bars, cafés
- Lobbies, corridors, stairwells, washrooms, reception areas

CorePro Plastic LED bulbs

Versions

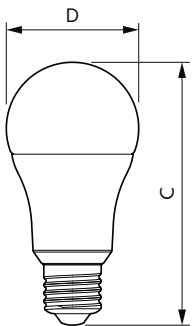
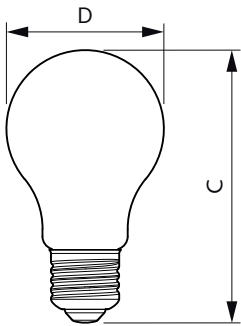


LEDbulb A65 E27 FR P1



65W E27 A60 FR

Dimensional drawing



Product	D	C
CorePro LEDbulb ND 10-75W A60 E27 840	60 mm	108 mm

Product	D	C
CorePro LEDbulb ND 13-100W A60 E27 827	60 mm	120 mm
CorePro LEDbulb ND 13-100W A60 E27 865	60 mm	120 mm

CorePro Plastic LED bulbs

General Information

Cap-Base	E27
Switching Cycle	50,000
Nominal lifetime	15,000 hour(s)

Light Technical

Beam Angle (Nom)	180 degree(s)
Color rendering index (CRI)	80
LLMF At End Of Nominal Lifetime (Nom)	70 %

Operating and Electrical

Input Frequency	50 to 60 Hz
Line Frequency	50 to 60 Hz
Starting Time (Nom)	0.5 s

Controls and Dimming

Dimmable	No
----------	----

Mechanical and Housing

Bulb Finish	Frosted
Bulb Shape	A60

Approval and Application

Ambient temperature range	-20 °C to 45 °C
---------------------------	-----------------

Light Technical

Order Code	Full Product Name	Correlated Color		
		Temperature (Nom)	Color Code	Luminous Flux
929002306808	CorePro LEDbulb ND 13-100W A60 E27 827	2700 K	827	1,521 lm
929002307008	CorePro LEDbulb ND 13-100W A60 E27 865	6500 K	865	1,521 lm
929002306608	CorePro LEDbulb ND 10-75W A60 E27 840	4000 K	840	1,055 lm

Operating and Electrical

Order Code	Full Product Name	Power	Wattage
		Consumption	Equivalent
929002306808	CorePro LEDbulb ND 13-100W A60 E27 827	13 W	100 W
929002307008	CorePro LEDbulb ND 13-100W A60 E27 865	13 W	100 W

Order Code	Full Product Name	Power	Wattage
		Consumption	Equivalent
929002306608	CorePro LEDbulb ND 10-75W A60 E27 840	10 W	75 W

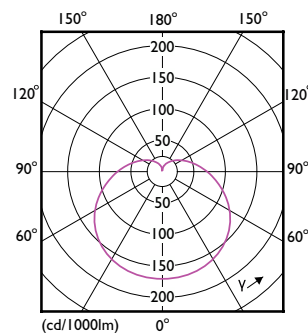
Temperature

Order Code	Full Product Name	T-Case Maximum (Nom)
929002306808	CorePro LEDbulb ND 13-100W A60 E27 827	95 °C
929002307008	CorePro LEDbulb ND 13-100W A60 E27 865	95 °C

Order Code	Full Product Name	T-Case Maximum (Nom)
929002306608	CorePro LEDbulb ND 10-75W A60 E27 840	85 °C

Approval and Application

Order Code	Full Product Name	Energy Consumption kWh/
		1000 h
929002306808	CorePro LEDbulb ND 13-100W A60 E27 827	13 kWh
929002307008	CorePro LEDbulb ND 13-100W A60 E27 865	13 kWh
929002306608	CorePro LEDbulb ND 10-75W A60 E27 840	10 kWh



CorePro Plastic LED bulbs

