

LED Lamps – ideal for general lighting applications

LED Lamps

LED Lamps are a perfect fit for general lighting applications. Compatible with most existing fixtures and designed as a retrofit replacement for incandescent and halogen lamps, LED Lamps deliver huge energy savings and minimize maintenance cost

Benefits

- Color temperature suitable for both functional lighting and to enhance atmosphere
- Up to 80% energy savings compared with incandescent bulbs
- Suitable for retrofit
- Lower maintenance costs

Features

- Long lifetime
- UV- and IR-free light for less heat and protection of heat-sensitive objects
- Instant start

Application

- Homes, hotels, restaurants, cafes
- Bedroom, dining room, living room, study room

LED Lamps

Versions



LED Sensor 8 60W B22 WH FR



LED Sensor A60 E27 WW POS1



LEDbulb CorePro 9.5-68W E27
Stick Frost 830 24D ND



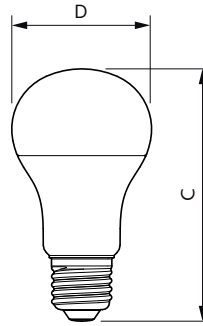
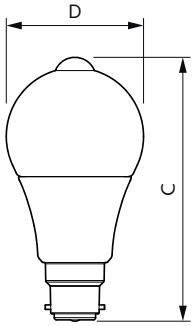
LEDGlobe 7 60W G95 B22 WW
230V AU



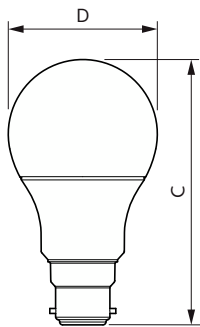
LEDstick B22 AU

LED Lamps

Dimensional drawing



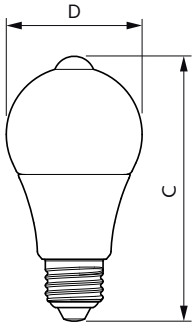
| Product | D | C |
|-----------------------------------|-------|--------|
| LEDBulb 10W E27 930 230V 1PF/6 AU | 60 mm | 110 mm |
| LEDBulb 10W E27 930 230V 2PF/3 AU | 60 mm | 110 mm |
| LEDBulb 10W E27 965 230V 1PF/6 AU | 60 mm | 110 mm |
| LEDBulb 10W E27 965 230V 2PF/3 AU | 60 mm | 110 mm |
| LEDBulb 12W E27 930 230V 1PF/6 AU | 60 mm | 110 mm |
| LEDBulb 12W E27 930 230V 2PF/3 AU | 60 mm | 110 mm |
| LEDBulb 12W E27 965 230V 1PF/6 AU | 60 mm | 110 mm |
| LEDBulb 6W E27 930 230V 1PF/6 AU | 60 mm | 110 mm |
| LEDBulb 6W E27 930 230V 2PF/3 AU | 60 mm | 110 mm |
| LEDBulb 6W E27 965 230V 1PF/6 AU | 60 mm | 110 mm |
| LEDBulb 8W E27 930 230V 1PF/6 AU | 60 mm | 110 mm |
| LEDBulb 8W E27 930 230V 2PF/3 AU | 60 mm | 110 mm |
| LEDBulb 8W E27 965 230V 1PF/6 AU | 60 mm | 110 mm |
| LEDBulb 8W E27 965 230V 2PF/3 AU | 60 mm | 110 mm |



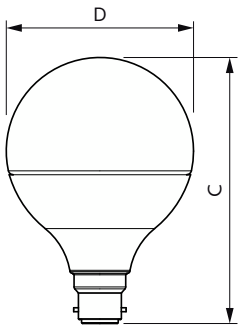
| Product |
|-----------------------------------|
| LEDBulb 10W B22 930 230V 1PF/6 AU |
| LEDBulb 10W B22 930 230V 2PF/3 AU |
| LEDBulb 10W B22 965 230V 1PF/6 AU |
| LEDBulb 10W B22 965 230V 2PF/3 AU |
| LEDBulb 12W B22 930 230V 1PF/6 AU |
| LEDBulb 12W B22 930 230V 2PF/3 AU |
| LEDBulb 12W B22 965 230V 1PF/6 AU |
| LEDBulb 12W B22 965 230V 2PF/3 AU |
| LEDBulb 6W B22 930 230V 1PF/6 AU |
| LEDBulb 6W B22 965 230V 1PF/6 AU |
| LEDBulb 6W B22 965 230V 2PF/3 AU |
| LEDBulb 8W B22 930 230V 1PF/6 AU |
| LEDBulb 8W B22 930 230V 2PF/3 AU |
| LEDBulb 8W B22 965 230V 1PF/6 AU |
| LEDBulb 8W B22 965 230V 2PF/3 AU |

LED Lamps

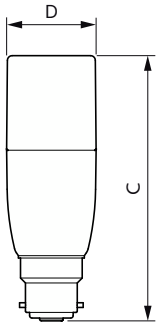
Dimensional drawing



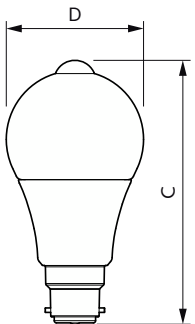
| Product | D | C |
|--|---------|--------|
| LED Sensor 8-60W A60 E27 CDL FR ND 1PF/6 | 62.5 mm | 122 mm |



| Product | D | C |
|--------------------------------|-------|--------|
| LEDGlobe 7W G95 B22 WW 230V_AU | 95 mm | 135 mm |



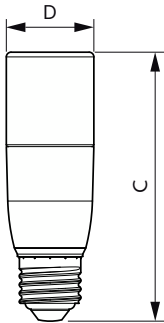
| Product | D | C |
|----------------------------------|---------|--------|
| LEDStick 9.5W B22 6500K 1PF/6 AU | 37.2 mm | 113 mm |



| Product | D | C |
|------------------------------------|---------|--------|
| LED Sensor 8W B22 CDL FR 1PF/6 APR | 62.5 mm | 120 mm |
| LED Sensor 8W B22 WH FR 1PF/6 APR | 62.5 mm | 120 mm |

LED Lamps

Dimensional drawing



| Product | D | C |
|----------------------------------|---------|----------|
| LEDStick 9.5W E27 6500K 1PF/6 AU | 37.2 mm | 114.3 mm |

| General Information | |
|---------------------------------------|-------------|
| Rated Lifetime (Hours) | 15,000 h |
| Switching Cycle | 50,000 |
| Light Technical | |
| LLMF At End Of Nominal Lifetime (Nom) | 70 % |
| Operating and Electrical | |
| Input Frequency | 50 to 60 Hz |
| Starting Time (Nom) | 0.5 s |
| Controls and Dimming | |
| Dimmable | No |
| Mechanical and Housing | |
| Bulb Finish | Frosted |

General Information

| Order Code | Full Product Name | Cap-Base | Nominal lifetime |
|--------------|------------------------------------|----------|------------------|
| 929003006319 | LEDBulb 6W E27 930 230V 2PF/3 AU | E27 | 25,000 h |
| 929003006399 | LEDBulb 6W E27 930 230V 1PF/6 AU | E27 | 25,000 h |
| 929003006799 | LEDBulb 6W E27 965 230V 1PF/6 AU | E27 | 25,000 h |
| 929003006919 | LEDBulb 8W E27 930 230V 2PF/3 AU | E27 | 25,000 h |
| 929003006999 | LEDBulb 8W E27 930 230V 1PF/6 AU | E27 | 25,000 h |
| 929003007319 | LEDBulb 8W E27 965 230V 2PF/3 AU | E27 | 25,000 h |
| 929003007399 | LEDBulb 8W E27 965 230V 1PF/6 AU | E27 | 25,000 h |
| 929002400119 | LED Sensor 8W B22 WH FR 1PF/6 APR | B22 | 15,000 h |
| 929002400219 | LED Sensor 8W B22 CDL FR 1PF/6 APR | B22 | 15,000 h |
| 929003007519 | LEDBulb 10W E27 930 230V 2PF/3 AU | E27 | 25,000 h |
| 929003007599 | LEDBulb 10W E27 930 230V 1PF/6 AU | E27 | 25,000 h |
| 929003007919 | LEDBulb 10W E27 965 230V 2PF/3 AU | E27 | 25,000 h |
| 929003007999 | LEDBulb 10W E27 965 230V 1PF/6 AU | E27 | 25,000 h |
| 929003008119 | LEDBulb 12W E27 930 230V 2PF/3 AU | E27 | 25,000 h |
| 929003008199 | LEDBulb 12W E27 930 230V 1PF/6 AU | E27 | 25,000 h |
| 929003008599 | LEDBulb 12W E27 965 230V 1PF/6 AU | E27 | 25,000 h |

| Order Code | Full Product Name | Cap-Base | Nominal lifetime |
|--------------|--|----------|------------------|
| 929002058619 | LED Sensor 8-60W A60 E27 CDL FR ND 1PF/6 | E27 | 15,000 h |
| 929001901669 | LEDStick 9.5W E27 6500K 1PF/6 AU | E27 | 15,000 h |
| 929003006499 | LEDBulb 6W B22 930 230V 1PF/6 AU | B22 | 25,000 h |
| 929003006819 | LEDBulb 6W B22 965 230V 2PF/3 AU | B22 | 25,000 h |
| 929003006899 | LEDBulb 6W B22 965 230V 1PF/6 AU | B22 | 25,000 h |
| 929003007019 | LEDBulb 8W B22 930 230V 2PF/3 AU | B22 | 25,000 h |
| 929003007099 | LEDBulb 8W B22 930 230V 1PF/6 AU | B22 | 25,000 h |
| 929003007419 | LEDBulb 8W B22 965 230V 2PF/3 AU | B22 | 25,000 h |
| 929003007499 | LEDBulb 8W B22 965 230V 1PF/6 AU | B22 | 25,000 h |
| 929002442069 | LEDGlobe 7W G95 B22 WW 230V_AU | B22 | 15,000 h |
| 929001927269 | LEDStick 9.5W B22 6500K 1PF/6 AU | B22 | 15,000 h |
| 929003007619 | LEDBulb 10W B22 930 230V 2PF/3 AU | B22 | 25,000 h |
| 929003007699 | LEDBulb 10W B22 930 230V 1PF/6 AU | B22 | 25,000 h |
| 929003008019 | LEDBulb 10W B22 965 230V 2PF/3 AU | B22 | 25,000 h |
| 929003008099 | LEDBulb 10W B22 965 230V 1PF/6 AU | B22 | 25,000 h |

LED Lamps

| Order Code | Full Product Name | Cap-Base | Nominal lifetime |
|--------------|-----------------------------------|----------|------------------|
| 929003008219 | LEDBulb 12W B22 930 230V 2PF/3 AU | B22 | 25,000 h |
| 929003008299 | LEDBulb 12W B22 930 230V 1PF/6 AU | B22 | 25,000 h |

| Order Code | Full Product Name | Cap-Base | Nominal lifetime |
|--------------|-----------------------------------|----------|------------------|
| 929003008619 | LEDBulb 12W B22 965 230V 2PF/3 AU | B22 | 25,000 h |
| 929003008699 | LEDBulb 12W B22 965 230V 1PF/6 AU | B22 | 25,000 h |

Light Technical

| Order Code | Full Product Name | Beam Angle (Nom) | Correlated Color Temperature (Nom) | Color rendering index (CRI) | Color Code | Luminous Flux |
|--------------|--|------------------|------------------------------------|-----------------------------|------------|---------------|
| 929003006319 | LEDBulb 6W E27 930 230V 2PF/3 AU | 200 degree(s) | 3000 K | 90 | 930 | 700 lm |
| 929003006399 | LEDBulb 6W E27 930 230V 1PF/6 AU | 200 degree(s) | 3000 K | 90 | 930 | 700 lm |
| 929003006799 | LEDBulb 6W E27 965 230V 1PF/6 AU | 200 degree(s) | 6500 K | 90 | 965 | 700 lm |
| 929003006919 | LEDBulb 8W E27 930 230V 2PF/3 AU | 200 degree(s) | 3000 K | 90 | 930 | 910 lm |
| 929003006999 | LEDBulb 8W E27 930 230V 1PF/6 AU | 200 degree(s) | 3000 K | 90 | 930 | 910 lm |
| 929003007319 | LEDBulb 8W E27 965 230V 2PF/3 AU | 200 degree(s) | 6500 K | 90 | 965 | 910 lm |
| 929003007399 | LEDBulb 8W E27 965 230V 1PF/6 AU | 200 degree(s) | 6500 K | 90 | 965 | 910 lm |
| 929002400119 | LED Sensor 8W B22 WH FR 1PF/6 APR | 280 degree(s) | 3000 K | 80 | 830 | 806 lm |
| 929002400219 | LED Sensor 8W B22 CDL FR 1PF/6 APR | 280 degree(s) | 6500 K | 80 | 865 | 850 lm |
| 929003007519 | LEDBulb 10W E27 930 230V 2PF/3 AU | 150 degree(s) | 3000 K | 90 | 930 | 1,150 lm |
| 929003007599 | LEDBulb 10W E27 930 230V 1PF/6 AU | 150 degree(s) | 3000 K | 90 | 930 | 1,150 lm |
| 929003007919 | LEDBulb 10W E27 965 230V 2PF/3 AU | 150 degree(s) | 6500 K | 90 | 965 | 1,150 lm |
| 929003007999 | LEDBulb 10W E27 965 230V 1PF/6 AU | 150 degree(s) | 6500 K | 90 | 965 | 1,150 lm |
| 929003008119 | LEDBulb 12W E27 930 230V 2PF/3 AU | 150 degree(s) | 3000 K | 90 | 930 | 1,360 lm |
| 929003008199 | LEDBulb 12W E27 930 230V 1PF/6 AU | 150 degree(s) | 3000 K | 90 | 930 | 1,360 lm |
| 929003008599 | LEDBulb 12W E27 965 230V 1PF/6 AU | 150 degree(s) | 6500 K | 90 | 965 | 1,360 lm |
| 929002058619 | LED Sensor 8-60W A60 E27 CDL FR ND 1PF/6 | 280 degree(s) | 6500 K | 80 | 865 | 850 lm |
| 929001901669 | LEDStick 9.5W E27 6500K 1PF/6 AU | 200 degree(s) | 6500 K | 80 | 865 | 1,050 lm |
| 929003006499 | LEDBulb 6W B22 930 230V 1PF/6 AU | 200 degree(s) | 3000 K | 90 | 930 | 700 lm |
| 929003006819 | LEDBulb 6W B22 965 230V 2PF/3 AU | 200 degree(s) | 6500 K | 90 | 965 | 700 lm |
| 929003006899 | LEDBulb 6W B22 965 230V 1PF/6 AU | 200 degree(s) | 6500 K | 90 | 965 | 700 lm |
| 929003007019 | LEDBulb 8W B22 930 230V 2PF/3 AU | 200 degree(s) | 3000 K | 90 | 930 | 910 lm |
| 929003007099 | LEDBulb 8W B22 930 230V 1PF/6 AU | 200 degree(s) | 3000 K | 90 | 930 | 910 lm |
| 929003007419 | LEDBulb 8W B22 965 230V 2PF/3 AU | 200 degree(s) | 6500 K | 90 | 965 | 910 lm |
| 929003007499 | LEDBulb 8W B22 965 230V 1PF/6 AU | 200 degree(s) | 6500 K | 90 | 965 | 910 lm |
| 929002442069 | LEDGlobe 7W G95 B22 WW 230V_AU | 150 degree(s) | 2700 K | 80 | 827 | 806 lm |
| 929001927269 | LEDStick 9.5W B22 6500K 1PF/6 AU | 200 degree(s) | 6500 K | 80 | 865 | 1,050 lm |
| 929003007619 | LEDBulb 10W B22 930 230V 2PF/3 AU | 150 degree(s) | 3000 K | 90 | 930 | 1,150 lm |
| 929003007699 | LEDBulb 10W B22 930 230V 1PF/6 AU | 150 degree(s) | 3000 K | 90 | 930 | 1,150 lm |
| 929003008019 | LEDBulb 10W B22 965 230V 2PF/3 AU | 150 degree(s) | 6500 K | 90 | 965 | 1,150 lm |
| 929003008099 | LEDBulb 10W B22 965 230V 1PF/6 AU | 150 degree(s) | 6500 K | 90 | 965 | 1,150 lm |
| 929003008219 | LEDBulb 12W B22 930 230V 2PF/3 AU | 150 degree(s) | 3000 K | 90 | 930 | 1,360 lm |
| 929003008299 | LEDBulb 12W B22 930 230V 1PF/6 AU | 150 degree(s) | 3000 K | 90 | 930 | 1,360 lm |
| 929003008619 | LEDBulb 12W B22 965 230V 2PF/3 AU | 150 degree(s) | 6500 K | 90 | 965 | 1,360 lm |
| 929003008699 | LEDBulb 12W B22 965 230V 1PF/6 AU | 150 degree(s) | 6500 K | 90 | 965 | 1,360 lm |

Operating and Electrical

| Order Code | Full Product Name | Power Consumption | Wattage Equivalent |
|--------------|----------------------------------|-------------------|--------------------|
| 929003006319 | LEDBulb 6W E27 930 230V 2PF/3 AU | 6 W | 65 W |
| 929003006399 | LEDBulb 6W E27 930 230V 1PF/6 AU | 6 W | 65 W |

| Order Code | Full Product Name | Power Consumption | Wattage Equivalent |
|--------------|----------------------------------|-------------------|--------------------|
| 929003006799 | LEDBulb 6W E27 965 230V 1PF/6 AU | 6 W | 65 W |
| 929003006919 | LEDBulb 8W E27 930 230V 2PF/3 AU | 8 W | 76 W |

LED Lamps

| Order Code | Full Product Name | Power | Wattage |
|--------------|---|-------------|------------|
| | | Consumption | Equivalent |
| 929003006999 | LEDBulb 8W E27 930 230V 1PF/6 AU | 8 W | 76 W |
| 929003007319 | LEDBulb 8W E27 965 230V 2PF/3 AU | 8 W | 76 W |
| 929003007399 | LEDBulb 8W E27 965 230V 1PF/6 AU | 8 W | 76 W |
| 929002400119 | LED Sensor 8W B22 WH FR 1PF/6 APR | 8 W | 60 W |
| 929002400219 | LED Sensor 8W B22 CDL FR 1PF/6 APR | 8 W | 60 W |
| 929003007519 | LEDBulb 10W E27 930 230V 2PF/3 AU | 10 W | 89 W |
| 929003007599 | LEDBulb 10W E27 930 230V 1PF/6 AU | 10 W | 89 W |
| 929003007919 | LEDBulb 10W E27 965 230V 2PF/3 AU | 10 W | 89 W |
| 929003007999 | LEDBulb 10W E27 965 230V 1PF/6 AU | 10 W | 89 W |
| 929003008119 | LEDBulb 12W E27 930 230V 2PF/3 AU | 12 W | 98 W |
| 929003008199 | LEDBulb 12W E27 930 230V 1PF/6 AU | 12 W | 98 W |
| 929003008599 | LEDBulb 12W E27 965 230V 1PF/6 AU | 12 W | 98 W |
| 929002058619 | LED Sensor 8-60W A60 E27 CDL FR ND 1PF/6 | 8 W | 60 W |
| 929001901669 | LEDStick 9.5W E27 6500K 1PF/6 AU | 9.5 W | 75 W |
| 929003006499 | LEDBulb 6W B22 930 230V 1PF/6 AU | 6 W | 65 W |
| 929003006819 | LEDBulb 6W B22 965 230V 2PF/3 AU | 6 W | 65 W |

| Order Code | Full Product Name | Power | Wattage |
|--------------|--------------------------------------|-------------|------------|
| | | Consumption | Equivalent |
| 929003006899 | LEDBulb 6W B22 965 230V 1PF/6 AU | 6 W | 65 W |
| 929003007019 | LEDBulb 8W B22 930 230V 2PF/3 AU | 8 W | 76 W |
| 929003007099 | LEDBulb 8W B22 930 230V 1PF/6 AU | 8 W | 76 W |
| 929003007419 | LEDBulb 8W B22 965 230V 2PF/3 AU | 8 W | 76 W |
| 929003007499 | LEDBulb 8W B22 965 230V 1PF/6 AU | 8 W | 76 W |
| 929002442069 | LEDGlobe 7W G95 B22 WW 230V_AU | 7 W | 60 W |
| 929001927269 | LEDStick 9.5W B22 6500K 1PF/6 AU | 9.5 W | 75 W |
| 929003007619 | LEDBulb 10W B22 930 230V 2PF/3 AU | 10 W | 89 W |
| 929003007699 | LEDBulb 10W B22 930 230V 1PF/6 AU | 10 W | 89 W |
| 929003008019 | LEDBulb 10W B22 965 230V 2PF/3 AU | 10 W | 89 W |
| 929003008099 | LEDBulb 10W B22 965 230V 1PF/6 AU | 10 W | 89 W |
| 929003008219 | LEDBulb 12W B22 930 230V 2PF/3 AU | 12 W | 98 W |
| 929003008299 | LEDBulb 12W B22 930 230V 1PF/6 AU | 12 W | 98 W |
| 929003008619 | LEDBulb 12W B22 965 230V 2PF/3 AU | 12 W | 98 W |
| 929003008699 | LEDBulb 12W B22 965 230V 1PF/6 AU | 12 W | 98 W |

Temperature

| Order Code | Full Product Name | T-Case Maximum (Nom) |
|--------------|------------------------------------|----------------------|
| 929003006319 | LEDBulb 6W E27 930 230V 2PF/3 AU | 85 °C |
| 929003006399 | LEDBulb 6W E27 930 230V 1PF/6 AU | 85 °C |
| 929003006799 | LEDBulb 6W E27 965 230V 1PF/6 AU | 85 °C |
| 929003006919 | LEDBulb 8W E27 930 230V 2PF/3 AU | 95 °C |
| 929003006999 | LEDBulb 8W E27 930 230V 1PF/6 AU | 95 °C |
| 929003007319 | LEDBulb 8W E27 965 230V 2PF/3 AU | 95 °C |
| 929003007399 | LEDBulb 8W E27 965 230V 1PF/6 AU | 95 °C |
| 929002400119 | LED Sensor 8W B22 WH FR 1PF/6 APR | 75 °C |
| 929002400219 | LED Sensor 8W B22 CDL FR 1PF/6 APR | 75 °C |
| 929003007519 | LEDBulb 10W E27 930 230V 2PF/3 AU | 90 °C |
| 929003007599 | LEDBulb 10W E27 930 230V 1PF/6 AU | 90 °C |
| 929003007919 | LEDBulb 10W E27 965 230V 2PF/3 AU | 90 °C |
| 929003007999 | LEDBulb 10W E27 965 230V 1PF/6 AU | 90 °C |
| 929003008119 | LEDBulb 12W E27 930 230V 2PF/3 AU | 95 °C |

| Order Code | Full Product Name | T-Case Maximum (Nom) |
|--------------|--|----------------------|
| 929003008199 | LEDBulb 12W E27 930 230V 1PF/6 AU | 95 °C |
| 929003008599 | LEDBulb 12W E27 965 230V 1PF/6 AU | 95 °C |
| 929002058619 | LED Sensor 8-60W A60 E27 CDL FR ND 1PF/6 | 75 °C |
| 929001901669 | LEDStick 9.5W E27 6500K 1PF/6 AU | 85 °C |
| 929003006499 | LEDBulb 6W B22 930 230V 1PF/6 AU | 85 °C |
| 929003006819 | LEDBulb 6W B22 965 230V 2PF/3 AU | 85 °C |
| 929003006899 | LEDBulb 6W B22 965 230V 1PF/6 AU | 85 °C |
| 929003007019 | LEDBulb 8W B22 930 230V 2PF/3 AU | 95 °C |
| 929003007099 | LEDBulb 8W B22 930 230V 1PF/6 AU | 95 °C |
| 929003007419 | LEDBulb 8W B22 965 230V 2PF/3 AU | 95 °C |
| 929003007499 | LEDBulb 8W B22 965 230V 1PF/6 AU | 95 °C |
| 929002442069 | LEDGlobe 7W G95 B22 WW 230V_AU | 45 °C |
| 929001927269 | LEDStick 9.5W B22 6500K 1PF/6 AU | 85 °C |
| 929003007619 | LEDBulb 10W B22 930 230V 2PF/3 AU | 90 °C |

LED Lamps

| Order Code | Full Product Name | T-Case Maximum (Nom) |
|--------------|-----------------------------------|----------------------|
| 929003007699 | LEDBulb 10W B22 930 230V 1PF/6 AU | 90 °C |
| 929003008019 | LEDBulb 10W B22 965 230V 2PF/3 AU | 90 °C |
| 929003008099 | LEDBulb 10W B22 965 230V 1PF/6 AU | 90 °C |
| 929003008219 | LEDBulb 12W B22 930 230V 2PF/3 AU | 95 °C |

| Order Code | Full Product Name | T-Case Maximum (Nom) |
|--------------|-----------------------------------|----------------------|
| 929003008299 | LEDBulb 12W B22 930 230V 1PF/6 AU | 95 °C |
| 929003008619 | LEDBulb 12W B22 965 230V 2PF/3 AU | 95 °C |
| 929003008699 | LEDBulb 12W B22 965 230V 1PF/6 AU | 95 °C |

Mechanical and Housing

| Order Code | Full Product Name | Bulb Shape |
|--------------|--|------------|
| 929003006319 | LEDBulb 6W E27 930 230V 2PF/3 AU | A60S |
| 929003006399 | LEDBulb 6W E27 930 230V 1PF/6 AU | A60S |
| 929003006799 | LEDBulb 6W E27 965 230V 1PF/6 AU | A60S |
| 929003006919 | LEDBulb 8W E27 930 230V 2PF/3 AU | A60S |
| 929003006999 | LEDBulb 8W E27 930 230V 1PF/6 AU | A60S |
| 929003007319 | LEDBulb 8W E27 965 230V 2PF/3 AU | A60S |
| 929003007399 | LEDBulb 8W E27 965 230V 1PF/6 AU | A60S |
| 929002400119 | LED Sensor 8W B22 WH FR 1PF/6 APR | A60 |
| 929002400219 | LED Sensor 8W B22 CDL FR 1PF/6 APR | A60 |
| 929003007519 | LEDBulb 10W E27 930 230V 2PF/3 AU | A60M |
| 929003007599 | LEDBulb 10W E27 930 230V 1PF/6 AU | A60M |
| 929003007919 | LEDBulb 10W E27 965 230V 2PF/3 AU | A60M |
| 929003007999 | LEDBulb 10W E27 965 230V 1PF/6 AU | A60M |
| 929003008119 | LEDBulb 12W E27 930 230V 2PF/3 AU | A60M |
| 929003008199 | LEDBulb 12W E27 930 230V 1PF/6 AU | A60M |
| 929003008599 | LEDBulb 12W E27 965 230V 1PF/6 AU | A60M |
| 929002058619 | LED Sensor 8-60W A60 E27 CDL FR ND 1PF/6 | A60 |
| 929001901669 | LEDStick 9.5W E27 6500K 1PF/6 AU | Stick |

| Order Code | Full Product Name | Bulb Shape |
|--------------|-----------------------------------|------------|
| 929003006499 | LEDBulb 6W B22 930 230V 1PF/6 AU | A60S |
| 929003006819 | LEDBulb 6W B22 965 230V 2PF/3 AU | A60S |
| 929003006899 | LEDBulb 6W B22 965 230V 1PF/6 AU | A60S |
| 929003007019 | LEDBulb 8W B22 930 230V 2PF/3 AU | A60S |
| 929003007099 | LEDBulb 8W B22 930 230V 1PF/6 AU | A60S |
| 929003007419 | LEDBulb 8W B22 965 230V 2PF/3 AU | A60S |
| 929003007499 | LEDBulb 8W B22 965 230V 1PF/6 AU | A60S |
| 929002442069 | LEDGlobe 7W G95 B22 WW 230V_AU | G95 |
| 929001927269 | LEDStick 9.5W B22 6500K 1PF/6 AU | Stick |
| 929003007619 | LEDBulb 10W B22 930 230V 2PF/3 AU | A60M |
| 929003007699 | LEDBulb 10W B22 930 230V 1PF/6 AU | A60M |
| 929003008019 | LEDBulb 10W B22 965 230V 2PF/3 AU | A60M |
| 929003008099 | LEDBulb 10W B22 965 230V 1PF/6 AU | A60M |
| 929003008219 | LEDBulb 12W B22 930 230V 2PF/3 AU | A60M |
| 929003008299 | LEDBulb 12W B22 930 230V 1PF/6 AU | A60M |
| 929003008619 | LEDBulb 12W B22 965 230V 2PF/3 AU | A60M |
| 929003008699 | LEDBulb 12W B22 965 230V 1PF/6 AU | A60M |

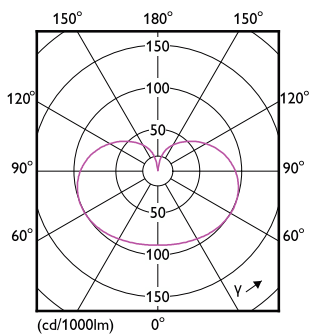
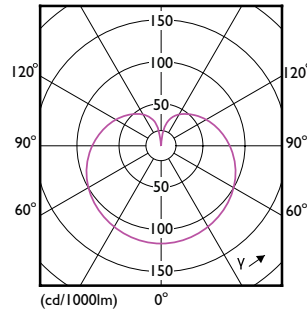
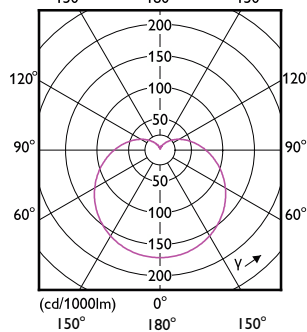
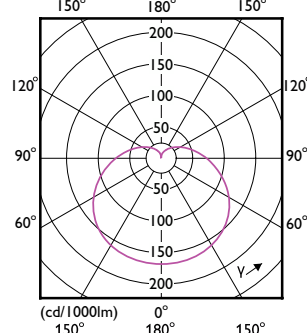
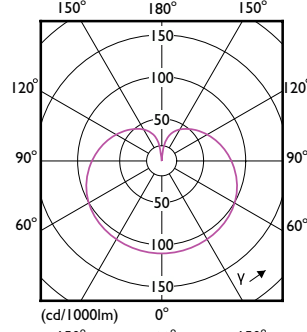
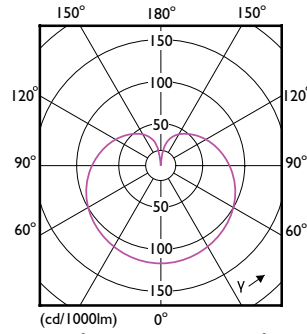
Approval and Application

| Order Code | Full Product Name | Energy | |
|--------------|------------------------------------|---------------------------|------------------------|
| | | Ambient temperature range | Consumption kWh/1000 h |
| 929003006319 | LEDBulb 6W E27 930 230V 2PF/3 AU | -20 to +45 °C | - |
| 929003006399 | LEDBulb 6W E27 930 230V 1PF/6 AU | -20 to +45 °C | - |
| 929003006799 | LEDBulb 6W E27 965 230V 1PF/6 AU | -20 to +45 °C | - |
| 929003006919 | LEDBulb 8W E27 930 230V 2PF/3 AU | -20 to +45 °C | - |
| 929003006999 | LEDBulb 8W E27 930 230V 1PF/6 AU | -20 to +45 °C | - |
| 929003007319 | LEDBulb 8W E27 965 230V 2PF/3 AU | -20 to +45 °C | - |
| 929003007399 | LEDBulb 8W E27 965 230V 1PF/6 AU | -20 to +45 °C | - |
| 929002400119 | LED Sensor 8W B22 WH FR 1PF/6 APR | -20 to +30 °C | 8 kWh |
| 929002400219 | LED Sensor 8W B22 CDL FR 1PF/6 APR | -20 to +30 °C | 8 kWh |

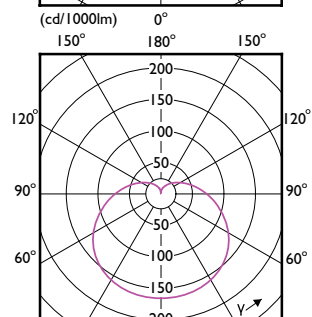
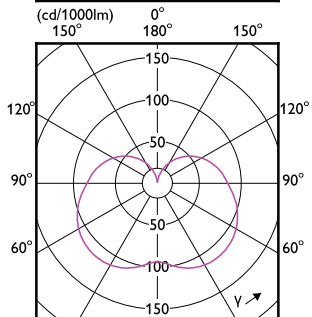
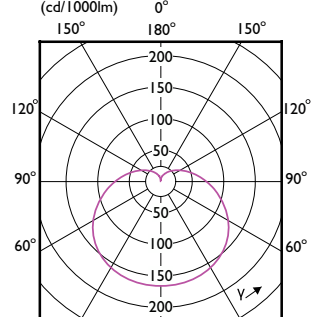
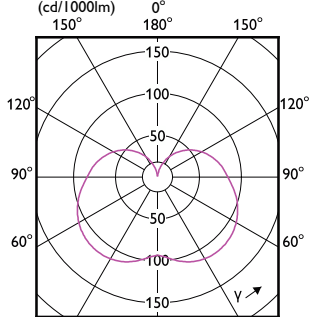
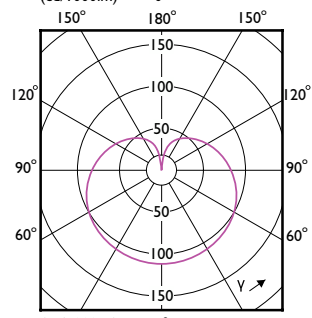
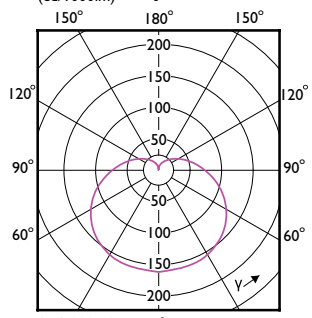
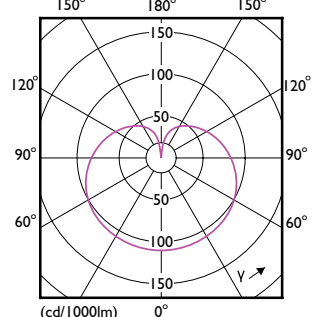
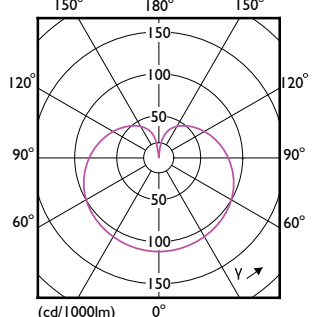
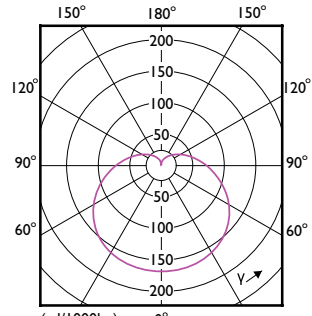
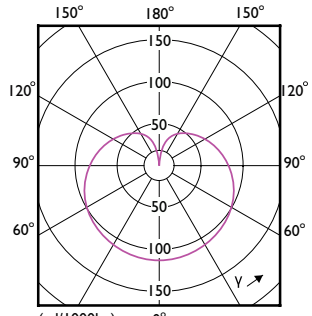
| Order Code | Full Product Name | Energy | |
|--------------|--|---------------------------|------------------------|
| | | Ambient temperature range | Consumption kWh/1000 h |
| 929003007519 | LEDBulb 10W E27 930 230V 2PF/3 AU | -20 to +45 °C | - |
| 929003007599 | LEDBulb 10W E27 930 230V 1PF/6 AU | -20 to +45 °C | - |
| 929003007919 | LEDBulb 10W E27 965 230V 2PF/3 AU | -20 to +45 °C | - |
| 929003007999 | LEDBulb 10W E27 965 230V 1PF/6 AU | -20 to +45 °C | - |
| 929003008119 | LEDBulb 12W E27 930 230V 2PF/3 AU | -20 to +45 °C | - |
| 929003008199 | LEDBulb 12W E27 930 230V 1PF/6 AU | -20 to +45 °C | - |
| 929003008599 | LEDBulb 12W E27 965 230V 1PF/6 AU | -20 to +45 °C | - |
| 929002058619 | LED Sensor 8-60W A60 E27 CDL FR ND 1PF/6 | -20 to +30 °C | 8 kWh |
| 929001901669 | LEDStick 9.5W E27 6500K 1PF/6 AU | -20 to +45 °C | 10 kWh |

LED Lamps

| Order Code | Full Product Name | Ambient temperature range | Energy |
|--------------|--------------------------------------|---------------------------|------------------------|
| | | | Consumption kWh/1000 h |
| 929003006499 | LEDBulb 6W B22 930 230V 1PF/6 AU | -20 to +45 °C | - |
| 929003006819 | LEDBulb 6W B22 965 230V 2PF/3 AU | -20 to +45 °C | - |
| 929003006899 | LEDBulb 6W B22 965 230V 1PF/6 AU | -20 to +45 °C | - |
| 929003007019 | LEDBulb 8W B22 930 230V 2PF/3 AU | -20 to +45 °C | - |
| 929003007099 | LEDBulb 8W B22 930 230V 1PF/6 AU | -20 to +45 °C | - |
| 929003007419 | LEDBulb 8W B22 965 230V 2PF/3 AU | -20 to +45 °C | - |
| 929003007499 | LEDBulb 8W B22 965 230V 1PF/6 AU | -20 to +45 °C | - |
| 929002442069 | LEDGlobe 7W G95 B22 WW 230V_AU | -20 to +45 °C | 7 kWh |
| 929001927269 | LEDStick 9.5W B22 6500K 1PF/6 AU | -20 to +45 °C | 10 kWh |
| 929003007619 | LEDBulb 10W B22 930 230V 2PF/3 AU | -20 to +45 °C | - |
| 929003007699 | LEDBulb 10W B22 930 230V 1PF/6 AU | -20 to +45 °C | - |
| 929003008019 | LEDBulb 10W B22 965 230V 2PF/3 AU | -20 to +45 °C | - |
| 929003008099 | LEDBulb 10W B22 965 230V 1PF/6 AU | -20 to +45 °C | - |
| 929003008219 | LEDBulb 12W B22 930 230V 2PF/3 AU | -20 to +45 °C | - |
| 929003008299 | LEDBulb 12W B22 930 230V 1PF/6 AU | -20 to +45 °C | - |
| 929003008619 | LEDBulb 12W B22 965 230V 2PF/3 AU | -20 to +45 °C | - |
| 929003008699 | LEDBulb 12W B22 965 230V 1PF/6 AU | -20 to +45 °C | - |



LED Lamps



LED Lamps

