

# HID basic gearbox system for SON

## HID-Basic Gearbox system for SON (India)

Impregnated electromagnetic ballasts of copper and steel construction for use in combination with an external ignitor for High-Pressure Sodium Vapor (SON) lamps

### Benefits

- Orthocyclic winding process minimizes ballast coil volume and reduces weight with minimum ballast watt losses

### Features

- Simple installation and cabling
- Ballast equipped with screw terminal blocks
- Earthing-with-mounting facility

### Application

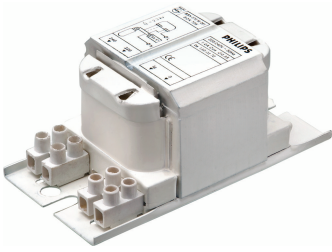
- Industry
- Public areas
- Roads

### Warnings and Safety

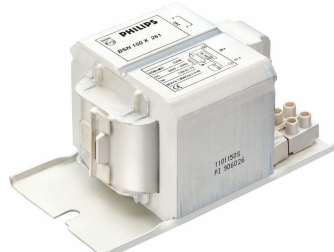
- Ballasts are only suitable for use with integrated luminaires

# HID-Basic Gearbox system for SON (India)

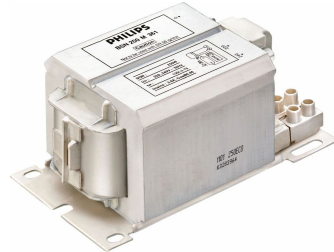
## Versions



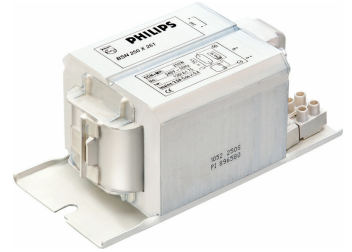
GPPR INMHID01 0006



GPPR INMHID01 0008

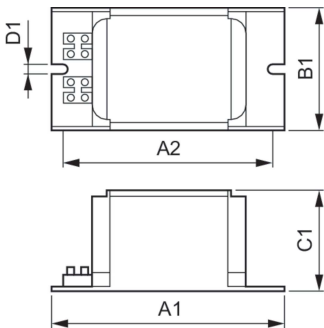


GPPR\_INMHID01\_0010-Product photo



GPPR INMHID01 0011

## Dimensional drawing



Product	D1	C1	A1	A2	B1
BSN 070 M261	6.3 mm	51.0 mm	117.0 mm	98.0 mm	60.0 mm
BSN 150 X261	6.3 mm	64.0 mm	132.0 mm	116.0 mm	75.0 mm
BSN 250 M361	6.3 mm	64.0 mm	143.5 mm	77.5 mm	66.0 mm
BSN 250 X261	6.3 mm	64.0 mm	150.0 mm	135.0 mm	75.0 mm

### Operating and Electrical

Input Frequency 50 Hz

Line Frequency 50 Hz

### Approval and Application

Energy Efficiency Index Not specified

## Operating and Electrical

Order Code	Full Product Name	Input Voltage
913702251012	BSN 070 M261	220/240 V
913702253212	BSN 150 X261	240 V

Order Code	Full Product Name	Input Voltage
913702253722	BSN 250 M361	220/240 V
913702253412	BSN 250 X261	240 V

## HID-Basic Gearbox system for SON (India)

