

# HID basic BHL for HPL/HPI

## HID-Basic BHL for HPL/HPI (India)

Impregnated electromagnetic ballasts of copper and steel construction for High-Pressure Mercury Vapor (HPL) lamps

### Benefits

- Compact size – less space required in luminaire
- Orthocyclic winding process minimizes ballast coil volume and reduces weight with minimum ballast watt losses

### Features

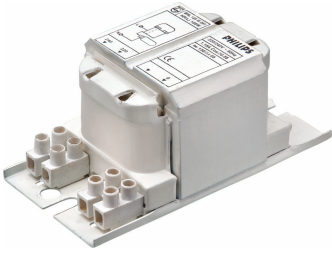
- Simple installation and cabling
- Earthing-with-mounting facility
- Ballast equipped with screw terminal block

### Application

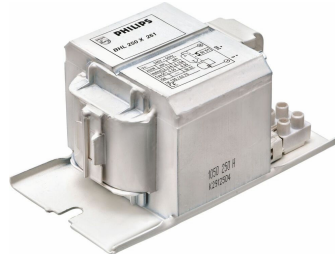
- Industry
- Sports lighting
- Retail

# HID-Basic BHL for HPL/HPI (India)

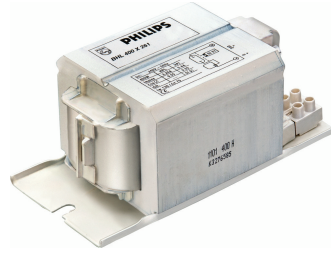
## Versions



GPPR INMHID01 0002

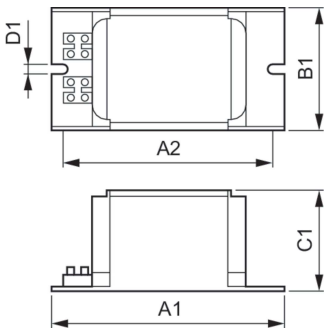


GPPR\_INMHID01\_0003-Product photo



GPPR INMHID01 0004

## Dimensional drawing



| Product      | D1     | C1      | A1       | A2       | B1      |
|--------------|--------|---------|----------|----------|---------|
| BHL 125 M261 | 6.3 mm | 51.0 mm | 117.0 mm | 98.0 mm  | 60.0 mm |
| BHL 250 X261 | 6.3 mm | 64.0 mm | 132.0 mm | 116.0 mm | 75.0 mm |
| BHL 400 X261 | 6.3 mm | 64.0 mm | 150.0 mm | 135.0 mm | 75.0 mm |

### Operating and Electrical

Input Frequency 50 Hz

Line Frequency 50 Hz

### Approval and Application

Energy Efficiency Index Not specified

## Operating and Electrical

| Order Code   | Full Product Name | Input Voltage |
|--------------|-------------------|---------------|
| 913702251612 | BHL 125 M261      | 220/240 V     |



## HID-Basic BHL for HPL/HPI (India)

| Order Code   | Full Product Name | Input Voltage |
|--------------|-------------------|---------------|
| 913702253012 | BHL 250 X261      | 240 V         |
| 913702253112 | BHL 400 X261      | 240 V         |

