



A comfortable heat source for your muscles

Infrared Lamps Human Use

Signify offers two infrared lamp types for use in heat radiating devices for human applications. These Philips infrared lamps have a wavelength spectrum with a pronounced peak at approximately 1000 nm in the deep-penetrating IR-A range. IR-A range has a greater penetrating power, which means that the heat is dissipated in a larger skin volume thus creating a more pleasant and diffuse warmth. Philips infrared lamps for human applications are designed to support relaxation of the muscular tension. These lamps can be used to provide warmth to the human skin, muscles and joints.

Benefits

- Optimal warmth penetration of skin and muscles for a gentle, pleasant effect of comfort
- 90% of energy transmitted as infrared heat
- Instant, accurately controllable source of radiant heat

Features

- Designed exclusively for human applications
- Optimised design of the lamps to direct heat energy to the front
- Powerful lamps that can be dimmed (via device) to meet the user's requirement
- Good balance between lamp lifetime and heat output
- Red-colour filters to reduce visible light waves and glare

Application

- Infrared heat devices for domestic and professional use

Infrared Lamps Human Use

Warnings and Safety

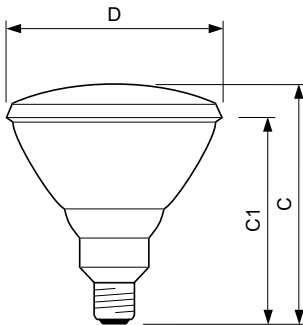
- When used correctly, lamp breaking is very unlikely. If a lamp breaks, carefully remove the parts (with gloves or protective tools to avoid skin cuts). Put the parts in a sealable plastic bag and take it to your local waste facilities for recycling. Do not use a vacuum cleaner.
- Follow recommended time and distance of exposure of the device with which this lamp is used. Longer / closer than recommended exposure to infrared heat may cause skin burn or other undesirable skin-protective reactions.
- Follow device instructions for eye and skin safety and protection. Do not direct the lamp into eyes, always protect eyes, including as recommended by manufacturer of device.

Versions



LPPR IRINPHI E27 PAR38

Dimensional drawing



Product	D	C (max)	C1 (max)
PAR38 IR 150W E27 230V Red 1CT/12	121 mm	136 mm	124 mm

