



# A comfortable heat source for your muscles

## Infrared Lamps Human Use

Signify offers two infrared lamp types for use in heat radiating devices for human applications. These Philips infrared lamps have a wavelength spectrum with a pronounced peak at approximately 1000 nm in the deep-penetrating IR-A range. IR-A range has a greater penetrating power, which means that the heat is dissipated in a larger skin volume thus creating a more pleasant and diffuse warmth. Philips infrared lamps for human applications are designed to support relaxation of the muscular tension. These lamps can be used to provide warmth to the human skin, muscles and joints.

### Benefits

- Optimal warmth penetration of skin and muscles for a gentle, pleasant effect of comfort
- 90% of energy transmitted as infrared heat
- Instant, accurately controllable source of radiant heat

### Features

- Designed exclusively for human applications
- Optimised design of the lamps to direct heat energy to the front
- Powerful lamps that can be dimmed (via device) to meet the user's requirement
- Good balance between lamp lifetime and heat output
- Red-colour filters to reduce visible light waves and glare

### Application

- Infrared heat devices for domestic and professional use

## Infrared Lamps Human Use

### Warnings and Safety

- When used correctly, lamp breaking is very unlikely. If a lamp breaks, carefully remove the parts (with gloves or protective tools to avoid skin cuts). Put the parts in a sealable plastic bag and take it to your local waste facilities for recycling. Do not use a vacuum cleaner.
- Follow recommended time and distance of exposure of the device with which this lamp is used. Longer / closer than recommended exposure to infrared heat may cause skin burn or other undesirable skin-protective reactions.
- Follow device instructions for eye and skin safety and protection. Do not direct the lamp into eyes, always protect eyes, including as recommended by manufacturer of device.

### Versions

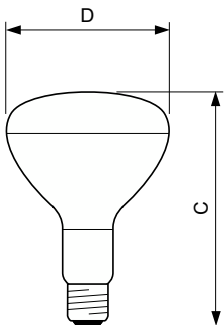
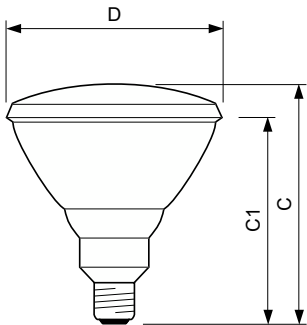


R95 Hardglass



LPPR IRINPHI E27 PAR38

### Dimensional drawing



Product	D	C (max)	C1 (max)
PAR38 IR 150W E27 230V Red 1CT/12	121 mm	136 mm	124 mm

Product	D	C
R95 IR 100W E27 230V Red hard 1CT/20(CN)	95 mm	130 mm

# Infrared Lamps Human Use

## General Information

Cap-Base	E27
Rated Lifetime (Hours)	300 hour(s)
Nominal lifetime	300 hour(s)

## Controls and Dimming

Dimmable	Yes
----------	-----

## Mechanical and Housing

Bulb Finish	Red
Bulb Material	Hard Glass

## General Information

Order Code	Full Product Name	Operating Position	Order Code	Full Product Name	Operating Position
94122100	R95 IR 100W E27 220-240V Red HG 1CT/20	UNIVERSAL	12887415	PAR38 IR 150W E27 230V Red 1CT/12	VBU/VBD90

## Operating and Electrical

Order Code	Full Product Name	Voltage (Nom)	Power Consumption	Order Code	Full Product Name	Voltage (Nom)	Power Consumption
94122100	R95 IR 100W E27 220-240V Red HG 1CT/20	220-240 V	100 W	12887415	PAR38 IR 150W E27 230V Red 1CT/12	230 V	150 W

## Mechanical and Housing

Order Code	Full Product Name	Bulb Shape	Order Code	Full Product Name	Bulb Shape
94122100	R95 IR 100W E27 220-240V Red HG 1CT/20	R95	12887415	PAR38 IR 150W E27 230V Red 1CT/12	PAR38

