



Affordable, robust solution

HF-Selectalume II for TL-D lamps

HF-Selectalume II is the most cost-effective, reliable, slim and affordable fluorescent solution, with highly disruptive technology for energy saving, system flexibility and unsurpassed performance. The cost-saving HF-Selectalume II has a robust design which meets all relevant international safety and performance standards. HF-Selectalume II is intended for use with indoor lighting fixtures such as spotlights, downlights and recessed luminaires, which are largely used in office, retail, industry, hotel, restaurant and other applications where control devices are installed with occasional On/Off switching activity

Benefits

- Exceptional energy efficiency with striation-reduction technology in lighting systems at lower temperatures
- Automatic restart (after voltage dip or lamp exchange) ensures easy operation and hassle-free re-lamping.
- Maximum reliability in system operation
- DC emergency operation in line with IEC/EN 60598-2-22 luminaire norms
- Provides extended lamp life in frequent-switching applications
- Suitable for luminaires in protection class I and, after testing, class II

HF-Selectalume II for TL-D lamps

Features

- Highest CELMA Energy Efficiency Index A2 BAT*
- Complies with CE and Kema-Keur
- Complies with CE, ENEC, EL, VDE-EMC, CCC marks of conformity
- Average lifetime in excess of 50,000 hours at Ta = 50 °C
- Average nominal service lifetime over 85,000 hours (at Ta 50°C) with a failure rate $\leq 0.1\%$ per 1,000 hours)
- Rapid warm lamp start with filament pre-heating < 1.6 sec
- Optimized lamp preheating for min 50,000 On/Off switch operations without replacement of lamps
- Active power factor correction to ensure constant light, irrespective of mains-voltage fluctuations
- The Wago 744 connector offers the flexibility for horizontal-manual or push-in robot wiring, including a simple wire-release facility

Application

- Suitable for DC operation and emergency lighting installations; full compliance with requirements for emergency lighting according to EN 61347-2-3 -annex J
- Ideal for applications where it is necessary to reduce the wattage per square meter or operating costs
- For applications with high switching activity, e.g. where movement-detection control devices are used
- Applications where control devices are installed with occasional On/Off switching (e.g. where movement or light sensor detectors switch the mains)
- For luminaires of protection class I and protection class II used in office buildings, hospitals, supermarkets, department stores, industrial premises and schools
- Professional indoor applications with long operating hours such as office buildings, call centers, classrooms, hotels, department stores, retail stores, supermarkets, convenience stores and industrial premises (e.g. corridors and low-bay trunking systems) and city parking lots

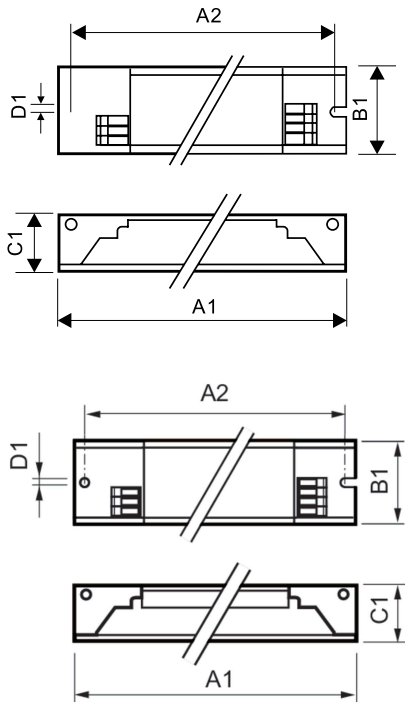
Versions



GPPR_HFSIITL5_0005-Product photo

HF-Selectalume II for TL-D lamps

Dimensional drawing



Product

HF-S 158 TL-D II 220-240V 50/60Hz

HF-S 218/236 TL-D II 220-240V 50/60Hz

Product	A1	B1	C1	A2	B2	D1
HF-S 158 TL-D II 220-240V 50/60Hz	280 mm	30 mm	28.5 mm	265 mm		4.2 mm
HF-S 218/236 TL-D II 220-240V 50/60Hz	280 mm	30 mm	28 mm	265 mm		4.2 mm

