

# Most reliable standard, energy-efficient solution

## HF-Selectalume II for TL-D lamps

HF-Selectalume II TL-D is the most cost-effective, reliable and outstanding solution for fluorescent lamps. These ballasts are part of an overall high-efficiency lighting system that may help you or your customers to achieve any international or local energy code you need to comply with. HF-Selectalume II TL-D ballasts are the ideal choice for a broad range of new construction and retrofit applications within the commercial sector, including general surface mounting or office lighting, parking garages, warehouses, waterproof and other applications. The ballast is primarily designed for Indoor application. For outdoor application, the luminaire should be minimum Classland need to be sufficiently protected against water & dust. The installation should also be guard against any lightening surge or any other necessary electrical protection as deemed in such typical installation & application.

### Benefits

- Exceptional energy efficiency with striation-reduction technology in lighting systems at lower temperatures
- Maximum reliability in system operation
- Provides extended lamp life in frequent-switching applications

### Features

- Highest CELMA Energy Efficiency Index A2 BAT\*
- Complies with CE, ENEC, EL, VDE-EMC, CCC marks of conformity
- Average nominal service lifetime over 85,000 hours (at Ta 50°C) with a failure rate  $\leq 0.1\%$  per 1,000 hours)
- Optimized lamp preheating for min 50,000 On/Off switch operations without replacement of lamps

# HF-Selectalume II for TL-D lamps

## Application

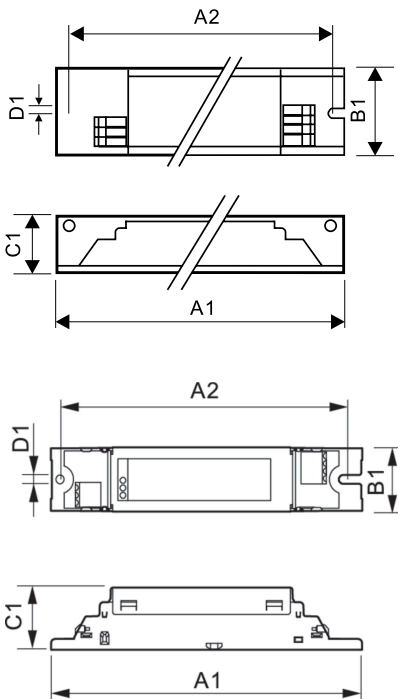
- Suitable for DC operation and emergency lighting installations; full compliance with requirements for emergency lighting according to EN 61347-2-3 -annex J
- For applications with high switching activity, e.g. where movement-detection control devices are used
- For luminaires of protection class I and protection class II used in office buildings, hospitals, supermarkets, department stores, industrial premises and schools

## Versions



GPPR\_HFSIITL5\_0005-Product photo

## Dimensional drawing



### Product

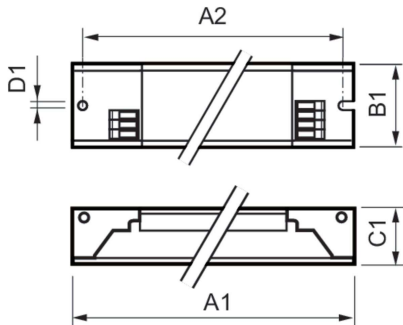
- HF-S 118/136 TL-D II 220-240V 50/60Hz
- HF-S 158 TL-D II 220-240V 50/60Hz
- HF-S 218/236 TL-D II 220-240V 50/60Hz
- HF-S 3/4 18 TL-D II 220-240V 50/60Hz

### Product

Product	D1	C1	A1	A2	B1
HF-S 258 TL-D II 220-240V 50/60Hz	4.1 mm	28.0 mm	280.0 mm	265.0 mm	30.0 mm

# HF-Selectalume II for TL-D lamps

## Dimensional drawing



Product	A1	B1	C1	A2	B2	D1
HF-S 118/136 TL-D II 220-240V 50/60Hz	280 mm	30 mm	28 mm	265 mm		4.2 mm
HF-S 158 TL-D II 220-240V 50/60Hz	280 mm	30 mm	28.5 mm	265 mm		4.2 mm
HF-S 218/236 TL-D II 220-240V 50/60Hz	280 mm	30 mm	28 mm	265 mm		4.2 mm
HF-S 3/4 18 TL-D II 220-240V 50/60Hz	280 mm	39 mm	28 mm	265 mm		4.2 mm

### Operating and Electrical

Input Frequency	50 to 60 Hz
Input Voltage	220 to 240 V
Line Frequency	50 to 60 Hz

## Operating and Electrical

Order Code	Full Product Name	Number of Products on MCB (16A Type B) (Nom)
913713032166	HF-S 118/136 TL-D II 220-240V 50/60Hz	28
913713032266	HF-S 158 TL-D II 220-240V 50/60Hz	28
913713032466	HF-S 218/236 TL-D II 220-240V 50/60Hz	28

Order Code	Full Product Name	Number of Products on MCB (16A Type B) (Nom)
913713032566	HF-S 258 TL-D II 220-240V 50/60Hz	12
913713032666	HF-S 3/4 18 TL-D II 220-240V 50/60Hz	28

## Mechanical and Housing

Order Code	Full Product Name	Housing
913713032166	HF-S 118/136 TL-D II 220-240V 50/60Hz	L 280x30x28
913713032266	HF-S 158 TL-D II 220-240V 50/60Hz	L 280x30x28
913713032466	HF-S 218/236 TL-D II 220-240V 50/60Hz	L 280x30x28

Order Code	Full Product Name	Housing
913713032566	HF-S 258 TL-D II 220-240V 50/60Hz	L 280x30x28
913713032666	HF-S 3/4 18 TL-D II 220-240V 50/60Hz	L 280x39x28

## Approval and Application

Order Code	Full Product Name	Energy Efficiency Index
913713032166	HF-S 118/136 TL-D II 220-240V 50/60Hz	A2 BAT
913713032266	HF-S 158 TL-D II 220-240V 50/60Hz	A2 BAT

Order Code	Full Product Name	Energy Efficiency Index
913713032466	HF-S 218/236 TL-D II 220-240V 50/60Hz	A2 BAT
913713032566	HF-S 258 TL-D II 220-240V 50/60Hz	A2 BAT

