



Affordable, robust solution

HF-Selectalume II for TL5 lamps

HF-Selectalume II is the most cost-effective, reliable, slim and affordable fluorescent solution, with highly disruptive technology for energy saving, system flexibility and unsurpassed performance. The cost-saving HF-Selectalume II has a robust design which meets all relevant international safety and performance standards. HF-Selectalume II is intended for use with indoor lighting fixtures such as spotlights, downlights and recessed luminaires, which are largely used in office, retail, industry, hotel, restaurant and other applications where control devices are installed with occasional On/Off switching activity

Benefits

- Exceptional energy efficiency with striation-reduction technology in lighting systems at lower temperatures
- Automatic restart (after voltage dip or lamp exchange) ensures easy operation and hassle-free re-lamping.
- Maximum reliability in system operation
- DC emergency operation in line with IEC/EN 60598-2-22 luminaire norms
- Multi-power technology for precise operation of multiple lamp types of various wattages
- Suitable for luminaires in protection class I and, after testing, class II

HF-Selectalume II for TL5 lamps

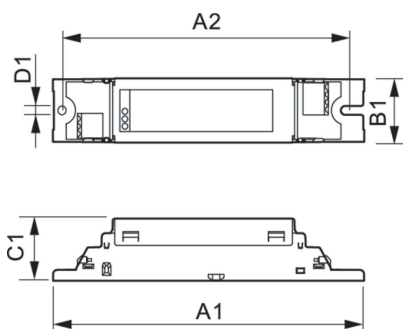
Features

- Highest CELMA Energy Efficiency Index A2 BAT*
- Complies with CE and Kema-Keur
- Complies with CE, ENEC, EL, CCC marks of conformity
- Average lifetime in excess of 50,000 hours at Ta = 50 °C
- Average nominal service lifetime over 85,000 hours (at Ta 50°C) with a failure rate ≤ 0.1 % per 1,000 hours)
- Rapid warm lamp start with filament pre-heating < 1.2 sec
- Optimized lamp preheating for min. 50,000 On/Off switch operations without replacement of lamps
- Active power factor correction to ensure constant light, irrespective of mains-voltage fluctuations
- The Wago 744 connector offers the flexibility for horizontal-manual or push-in robot wiring, including a simple wire-release facility.

Application

- Suitable for DC operation and emergency lighting installations; full compliance with requirements for emergency lighting according to EN 61347-2-3 -annex J
- Ideal for applications where there is a need to reduce the wattage per square meter or to reduce operating costs
- Extended lamp life in frequent-switching applications, e.g. where occupancy sensors or motion detectors are used
- Applications in which control devices are installed with occasional On/Off switching (e.g. where movement or light sensor detectors switch the mains)
- For luminaires of protection class I and protection class II used in office buildings, hospitals, supermarkets, department stores, industrial premises and schools
- Professional indoor applications with long operating hours, such as office buildings, call centers, classrooms, hotels, department stores, retail stores, supermarkets, convenience stores and industrial premises (e.g. corridors and low-bay trunking systems) and city parking lots

Dimensional drawing



Product	D1	C1	A1	A2	B1
HF-S 249 TL5 II 220-240V 50/60Hz	4.1 mm	21.5 mm	280.0 mm	265.0 mm	30.0 mm
HF-S 254 TL5 II 220-240V 50/60Hz	4.1 mm	21.5 mm	360.0 mm	350.0 mm	30.0 mm

HF-Selectalume II for TL5 lamps

Operating and Electrical

Input Frequency	50 to 60 Hz
Input Voltage	220 to 240 V
Line Frequency	50 to 60 Hz

Mechanical and Housing

Housing	L 280x30x21
---------	-------------

Approval and Application

Energy Efficiency Index	A2 BAT
-------------------------	--------

Operating and Electrical

Order Code	Full Product Name	Number of Products on MCB (16A Type B) (Nom)
913713033566	HF-S 249 TL5 II 220-240V 50/60Hz	12

Order Code	Full Product Name	Number of Products on MCB (16A Type B) (Nom)
913713033766	HF-S 254 TL5 II 220-240V 50/60Hz	-

