



# For flexibility in luminaire design

## HF-Performer Intelligent for TL5 HE/HO lamps

HF-Performer Intelligent is a slim and lightweight high-frequency electronic ballast which makes it possible to exchange TL5 HE and HO lamps of the same length in order to maximize logistical flexibility in luminaire design and handling. With its smart power functionality based on Philips EII technology, HF-Performer Intelligent is optimized for maximum system efficiency (CELMA EEI A2 BAT) in combination with the TL5 and TL5 Eco lamp.

### Benefits

- HF-Pi offers the flexibility of a simplified product portfolio. TL5 HO/HE lamps can be exchanged, reducing the cost of logistics throughout the value chain.
- Suitable for luminaires in protection class I and, after testing, class II
- The universal connector Wago 251 offers the flexibility for horizontal-manual or push-in robot wiring or vertical ALF-robot wiring.

### Features

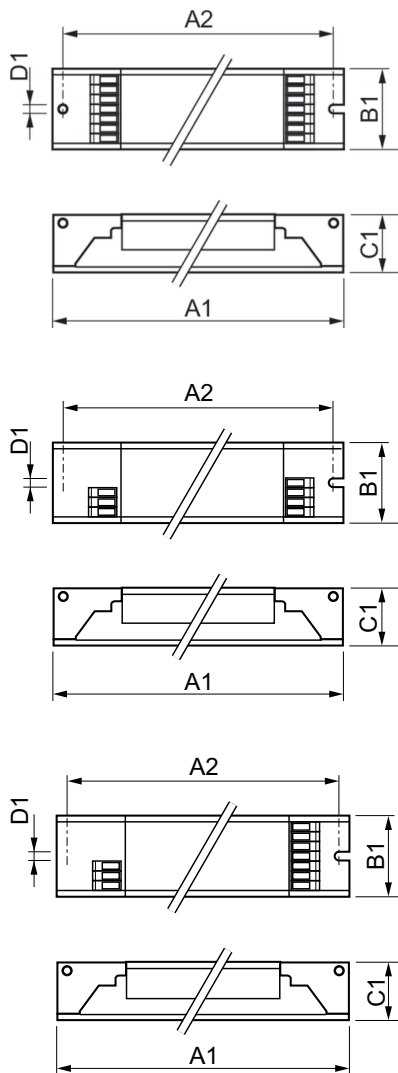
- Unique "intelligent" technology, automatic lamp recognition
- Protected against excessive mains voltage and incorrect connections up to 400 V AC
- Programmed, flicker-free, pre-heated start (< 1.0 s) which allows the lamp to be switched on and off without reducing useful lamp life
- Active power factor correction to ensure constant light, irrespective of mains-voltage fluctuations
- Suitable for emergency lighting luminaires in accordance with IEC/EN 60598-2-22 and VDE 0108

# HF-Performer Intelligent for TL5 HE/HO lamps

## Application

- Ideal for applications where a high level of energy efficiency and switching is required:
- Used with movement-detection control systems like Philips OccuPlus
- Indoor applications such as office buildings, hospitals, supermarkets, department stores and schools
- In class I outdoor applications, e.g. industrial premises and parking lots

## Dimensional drawing



Product	D1	C1	A1	A2	B1
HF-Pi 3/4 14/24 TL5/PL-L EII 220-240V	4.2 mm	22 mm	360 mm	350 mm	30 mm

Product	D1	C1	A1	A2	B1
HF-Pi 1 28/35/49/54 TL5 EII 220-240V	4.2 mm	22 mm	360 mm	350 mm	30 mm

Product	D1	C1	A1	A2	B1
HF-Pi 2 28/35/49/54 TL5 EII 220-240V	4.2 mm	22 mm	360 mm	350 mm	30 mm

# HF-Performer Intelligent for TL5 HE/HO lamps

## Operating and Electrical

Input frequency	50 to 60 Hz
Input Voltage	220 to 240 V
Line Frequency	50 to 60 Hz

## Mechanical and Housing

Housing	L360x30x22
---------	------------

## Approval and Application

Energy efficiency index	A2 BAT
-------------------------	--------

## Operating and Electrical

Order Code	Full Product Name	Number of products on MCB (16 A type B) (nom.)
913700624166	HF-Pi 1 28/35/49/54 TL5 EII 220-240V	18
913700624366	HF-Pi 2 28/35/49/54 TL5 EII 220-240V	12

Order Code	Full Product Name	Number of products on MCB (16 A type B) (nom.)
913700657666	HF-Pi 3/4 14/24 TL5/PL-L EII 220-240V	12

