



# For flexibility in luminaire design and stock-keeping management

## HF-Performer Intelligent for TL5 HE/HO lamps

HF-Performer Intelligent for Master and ECO TL5 HE/HO, TL-D and PL-L lamps. HF-Performer Intelligent features automatic recognition of the connected lamp and is independently able to adjust its operation parameters exactly to the respective lamp. This results in a substantial benefit, especially for T5 lamps, as it means TL5 HE and HO lamps of the same length can be interchanged. With a choice of seven ballasts, the customer is able to handle efficiently every possible combination of Master TL5 and Eco, TL-D, and PL-L lamps. The ballast is primarily designed for Indoor application. For outdoor application, the luminaire should be minimum Classland need to be sufficiently protected against water & dust. The installation should also be guard against any lightening surge or any other necessary electrical protection as deemed in such typical installation & application.

### Benefits

- Maximum reliability in system operation, and flexibility for designers, operators and facility managers in terms of stock-keeping management
- Multi-power technology for precise operation of multiple lamp types of various wattages
- Optimized for high maintenance efficiency and reliability: 5-year warranty

# HF-Performer Intelligent for TL5 HE/HO lamps

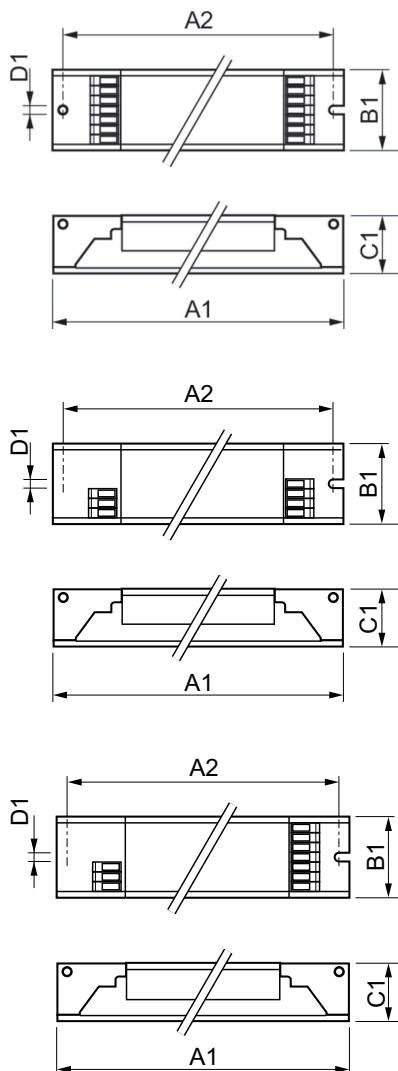
## Features

- Highest CELMA Energy Efficiency Index A2 BAT
- Complies with CE, ENEC, EL, VDE-EMC, CCC marks of conformity
- Average nominal service lifetime over 100,000 hours (at Ta 50 °C) with a failure rate  $\leq 0.1\%$  per 1,000 hours
- Optimized lamp preheating for a minimum of 50,000 On/Off switch operations without lamp replacement

## Application

- Suitable for DC operation and emergency lighting installations; full compliance with requirements for emergency lighting according to EN 61347-2-3-annex J
- Extended lamp life in frequent-switching applications, e.g. where occupancy sensors or motion detectors are used
- For luminaires of protection class I and protection class II used in office buildings, hospitals, supermarkets, department stores, industrial premises and schools

## Dimensional drawing



Product	D1	C1	A1	A2	B1
HF-Pi 3/4 14/24 TL5/PL-L EII 220-240V	4.2 mm	22 mm	360 mm	350 mm	30 mm

Product	D1	C1	A1	A2	B1
HF-Pi 1 28/35/49/54 TL5 EII 220-240V	4.2 mm	22 mm	360 mm	350 mm	30 mm
HF-Pi 1 28/35/49/80 TL5 EII	4.2 mm	22 mm	360 mm	350 mm	30 mm

Product	D1	C1	A1	A2	B1
HF-Pi 2 28/35/49/54 TL5 EII 220-240V	4.2 mm	22 mm	360 mm	350 mm	30 mm
HF-Pi 2 28/35/49/80 TL5 EII	4.2 mm	22 mm	425 mm	415 mm	30 mm

# HF-Performer Intelligent for TL5 HE/HO lamps

## Operating and Electrical

Input Frequency	50 to 60 Hz
Input Voltage	220 to 240 V
Line Frequency	50 to 60 Hz

## Approval and Application

Energy Efficiency Index	A2 BAT
-------------------------	--------

## Operating and Electrical

Order Code	Full Product Name	Number of Products on MCB (16A Type B) (Nom)
913700624166	HF-Pi 1 28/35/49/54 TL5 EII 220-240V	18
913700624366	HF-Pi 2 28/35/49/54 TL5 EII 220-240V	12
913700652566	HF-Pi 1 28/35/49/80 TL5 EII	12

Order Code	Full Product Name	Number of Products on MCB (16A Type B) (Nom)
913700652666	HF-Pi 2 28/35/49/80 TL5 EII	8
913700657666	HF-Pi 3/4 14/24 TL5/PL-L EII 220-240V	12

## Mechanical and Housing

Order Code	Full Product Name	Housing
913700624166	HF-Pi 1 28/35/49/54 TL5 EII 220-240V	L360x30x22
913700624366	HF-Pi 2 28/35/49/54 TL5 EII 220-240V	L360x30x22
913700652566	HF-Pi 1 28/35/49/80 TL5 EII	L360x30x22

Order Code	Full Product Name	Housing
913700652666	HF-Pi 2 28/35/49/80 TL5 EII	L 425x30x22
913700657666	HF-Pi 3/4 14/24 TL5/PL-L EII 220-240V	L360x30x22

