



# An energy-efficient solution

## HF-Performer III for TL-D lamps

HF-Performer III TLD is a sustainable, slim and high-frequency electronic ballast for TL-D fluorescent lamps. It is ideal for applications where high energy efficiency is required. The HF-Performer III range has a robust design, meets all relevant international safety and performance standards and is energy-efficient (CELMA EEI A2).

### Benefits

- The programmed start enables the lamp to be switched on and off without reducing useful lamp life.
- DC emergency operation in line with IEC/EN 60598-2-22 luminaire norms
- Smart power ensures constant light, irrespective of mains-voltage fluctuations
- Suitable for luminaires in protection class I and, after testing, class II
- The universal connector Wago 251 offers the flexibility for horizontal-manual or push-in robot wiring or vertical ALF-robot wiring.

### Features

- 50,000-hour lifetime at maximum case temperature, combined with over 60,000 on/off switches on one lamp
- Programmed, flicker-free, pre-heated start (< 1.0 s) which allows the lamp to be switched on and off without reducing useful lamp life
- Active power factor correction to ensure constant light, irrespective of mains-voltage fluctuations
- The unit is protected against excessive mains voltage and incorrect connections.

### Application

- Used with movement-detection control systems like Philips OccuPlus
- Indoor applications, such as office buildings, hospitals, supermarkets, department stores, industrial premises and schools
- Class I outdoor applications, e.g. industrial premises and parking lots

# HF-Performer III for TL-D lamps

## Versions



Lamp Driver, eFluo, HF-P 3/418  
TL-D III 220-240V 50/60Hz IDC



Lamp Driver, eFluo, HF-P 136 TL-D  
III 220-240V 50/60Hz IDC



Lamp Driver, eFluo, HF-P 158 TL-D  
III 220-240V 50/60Hz IDC

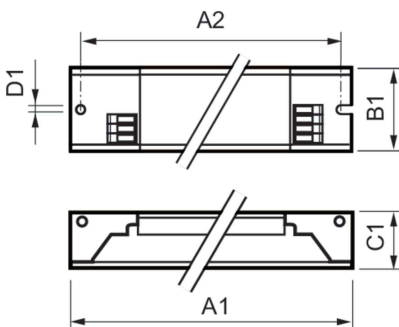


Lamp Driver, eFluo, HF-P 236 TL-  
D III 220-240V 50/60Hz IDC



Lamp Driver, eFluo, HF-P 258 TL-  
D III 220-240V 50/60Hz IDC

## Dimensional drawing



Product	D1	C1	A1	A2	B1
HF-P 118/136 TL-D III 220-240V 50/60 Hz	4.2 mm	28.0 mm	280.0 mm	265.0 mm	30.0 mm
HF-P 158 TL-D III 220-240V 50/60Hz IDC	4.2 mm	28.0 mm	280.0 mm	265.0 mm	30.0 mm
HF-P 218/236 TL-D III 220-240V 50/60 Hz	4.2 mm	28.0 mm	280.0 mm	265.0 mm	30.0 mm
HF-P 258 TL-D III 220-240V 50/60Hz IDC	4.2 mm	28.0 mm	280.0 mm	265.0 mm	30.0 mm
HF-P 3/418 TL-D III 220-240V 50/60Hz IDC	4.2 mm	28.0 mm	280.0 mm	265.0 mm	40.0 mm

### Operating and Electrical

Input frequency	50 to 60 Hz
Input Voltage	220 to 240 V
Line Frequency	50 to 60 Hz

### Approval and Application

Energy efficiency index	A2 BAT
-------------------------	--------

## Operating and Electrical

## HF-Performer III for TL-D lamps

Order Code	Full Product Name	Number of products on MCB (16 A type B) (nom.)
913713031466	HF-P 3/418 TL-D III 220-240V 50/60Hz IDC	28
913713031566	HF-P 118/136 TL-D III 220-240V 50/60 Hz	28
913713031866	HF-P 158 TL-D III 220-240V 50/60Hz IDC	28

Order Code	Full Product Name	Number of products on MCB (16 A type B) (nom.)
913713031666	HF-P 218/236 TL-D III 220-240V 50/60 Hz	28
913713031966	HF-P 258 TL-D III 220-240V 50/60Hz IDC	12

### Mechanical and Housing

Order Code	Full Product Name	Housing
913713031466	HF-P 3/418 TL-D III 220-240V 50/60Hz IDC	L 280x40x28
913713031566	HF-P 118/136 TL-D III 220-240V 50/60 Hz	L 280x30x28
913713031866	HF-P 158 TL-D III 220-240V 50/60Hz IDC	L 280x30x28

Order Code	Full Product Name	Housing
913713031666	HF-P 218/236 TL-D III 220-240V 50/60 Hz	L 280x30x28
913713031966	HF-P 258 TL-D III 220-240V 50/60Hz IDC	L 280x30x28

