



An energy-efficient solution

HF-Performer III for TL5 lamps

HF-Performer III TL5 is a sustainable, slim and high-frequency electronic ballast for TL5 and TL5 Eco fluorescent lamps. It is ideal for applications where high energy efficiency is required. The HF-Performer III range has a robust design, meets all relevant international safety and performance standards and is energy-efficient (CELMA EEI A2 BAT).

Benefits

- Exceptional energy efficiency with striation-reduction technology in lighting systems at lower temperatures
- Optimal savings can be achieved using HF-PIII together with TL5 ECO lamps (system solution).
- Maximum reliability in system operation
- The programmed start enables the lamp to be switched on and off without reducing useful lamp life.
- Multi-power technology for precise operation of multiple lamp types of various wattages
- DC emergency operation in line with IEC/EN 60598-2-22 luminaire norms
- Suitable for luminaires in protection class I and, after testing, class II

HF-Performer III for TL5 lamps

Features

- Highest CELMA Energy Efficiency Index A2 BAT
- 50,000-hour lifetime at maximum case temperature, combined with over 60,000 on/off switches on one lamp
- Complies with CE, ENEC, EL, VDE-EMC, CCC marks of conformity
- Programmed, flicker-free, pre-heated start (< 1.0 s) which allows the lamp to be switched on and off without reducing useful lamp life
- Average nominal service lifetime over 100,000 hours (at Ta 50 °C) with a failure rate $\leq 0.1\%$ per 1,000 hours)
- Active power factor correction to ensure constant light, irrespective of mains-voltage fluctuations
- Optimized lamp preheating for over 50,000 On/Off switch operations without replacement of lamps
- The unit is protected against excessive mains voltage and incorrect connections
- The universal connector Wago 251 offers the flexibility for horizontal-manual or push-in robot wiring or vertical ALF-robot wiring.

Application

- Suitable for DC operation and emergency lighting installations; full compliance with requirements for emergency lighting according to EN 61347-2-3 -annex J
- Used with movement-detection control systems like Philips OccuPlus
- Extended lamp life in frequent-switching applications, e.g. where occupancy sensors or motion detectors are used
- Indoor applications, such as office buildings, hospitals, supermarkets, department stores, industrial premises and schools
- For luminaires of protection class I and protection class II used in office buildings, hospitals, supermarkets, department stores, industrial premises and schools
- Class I outdoor applications, e.g. industrial premises and parking lot

Versions



Lamp Driver, eFluo, HF-P 114-35
TL5 HE III 220-240V



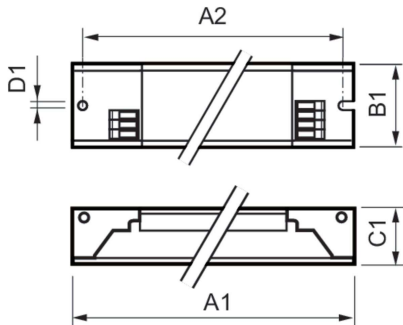
Lamp Driver, eFluo, HF-P 2 14-35
TL5 HE III 220-240V



Lamp Driver, eFluo, HF-P 154/155
TL5 HO/PL-L III IDC

HF-Performer III for TL5 lamps

Dimensional drawing



Product	D1	C1	A1	A2	B1
HF-P 1 14-35 TL5 HE III 220-240V	4.2 mm	22.0 mm	360.0 mm	350.0 mm	30.0 mm
HF-P 154/155 TL5 HO/PLL III 220-240V IDC	4.2 mm	22.0 mm	360.0 mm	350.0 mm	30.0 mm
HF-P 2 14-35 TL5 HE III 220-240V	4.2 mm	22.0 mm	360.0 mm	350.0 mm	30.0 mm
HF-P 254/255 TL5 HO/PLL III 220-240V IDC	4.2 mm	22.0 mm	360.0 mm	350.0 mm	30.0 mm

Operating and Electrical

Input Frequency	50 to 60 Hz
Input Voltage	220 to 240 V
Line Frequency	50 to 60 Hz

Mechanical and Housing

Housing	L360x30x22
---------	------------

Approval and Application

Energy Efficiency Index	A2 BAT
-------------------------	--------

Operating and Electrical

Order Code	Full Product Name	Number of Products on MCB (16A Type B) (Nom)
913713031066	HF-P 1 14-35 TL5 HE III 220-240V	28
913713031166	HF-P 2 14-35 TL5 HE III 220-240V	28

Order Code	Full Product Name	Number of Products on MCB (16A Type B) (Nom)
913713028266	HF-P 154/155 TL5 HO/PLL III 220-240V IDC	28
913713028366	HF-P 254/255 TL5 HO/PLL III 220-240V IDC	12

