



An energy-efficient solution

HF-Performer III for PL-L lamps

HF-Performer III PL-T/C is a sustainable, slim and high-frequency electronic ballast for PL-L fluorescent lamps. It is ideal for applications where high energy efficiency is required. The HF-Performer III range has a robust design, meets all relevant international safety and performance standards and is energy efficient (CELMA EEI A2 BAT).

Benefits

- Robust design that meets all relevant international safety and performance standards, in combination with good energy efficiency
- Robust design that meets all relevant international safety and performance standards, in combination with good energy efficiency
- Automatic restart (after voltage dip or lamp exchange) ensures easy operation and hassle-free re-lamping.
- Automatic restart (after voltage dip or lamp exchange) ensures easy operation and hassle-free re-lamping.
- Suitable for DC emergency operation, 186 to 275 V (at -10 °C) and in line with IEC/EN 60598-2-22 luminaire norms
- Suitable for DC emergency operation, 186 to 275 V (at -10 °C) and in line with IEC/EN 60598-2-22 luminaire norms

HF-Performer III for PL-L lamps

Features

- 50,000-hour lifetime at maximum case temperature, combined with over 60,000 on/off switches on one lamp
- 50,000-hour lifetime at maximum case temperature, combined with over 60,000 on/off switches on one lamp
- Programmed, flicker-free, pre-heated start (<1.6 s) which allows the lamp to be switched on and off without reducing useful lamp life
- Programmed, flicker-free, pre-heated start (<1.6 s) which allows the lamp to be switched on and off without reducing useful lamp life
- Active power factor correction to ensure constant light, irrespective of mains-voltage fluctuations
- Active power factor correction to ensure constant light, irrespective of mains-voltage fluctuations
- The unit is protected against excessive mains voltage and incorrect connections.
- The unit is protected against excessive mains voltage and incorrect connections.

Application

- Ideal for commercial indoor lighting applications where it is necessary to reduce the wattage per square meter or operating costs
- Ideal for commercial indoor lighting applications where it is necessary to reduce the wattage per square meter or operating costs
- Used with movement-detection control systems like Philips OccuPlus
- Used with movement-detection control systems like Philips OccuPlus
- Mainly for indoor applications, such as spotlights, downlights and recessed fixtures used primarily in retail stores, office buildings, supermarkets, hotels, convenience stores and industrial premises with long operating hours (e.g. corridors)
- Mainly for indoor applications, such as spotlights, downlights and recessed fixtures used primarily in retail stores, office buildings, supermarkets, hotels, convenience stores and industrial premises with long operating hours (e.g. corridors)

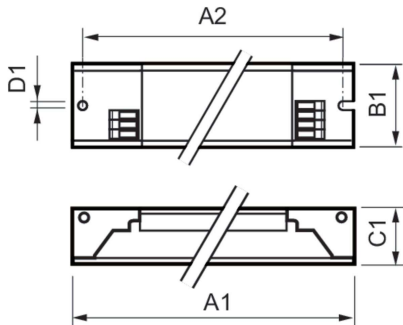
Versions



Lamp Driver, eFluo, HF-P 154/155
TL5 HO/PL-L III IDC

HF-Performer III for PL-L lamps

Dimensional drawing



Product	D1	C1	A1	A2	B1
HF-P 254/255 TL5 HO/PLL III 220-240V IDC	4.2 mm	22.0 mm	360.0 mm	350.0 mm	30.0 mm

