



# An energy-efficient solution

## HF-Performer III for PL-L lamps

HF-Performer III PL-T/C is a sustainable, slim and high-frequency electronic ballast for PL-L fluorescent lamps. It is ideal for applications where high energy efficiency is required. The HF-Performer III range has a robust design, meets all relevant international safety and performance standards and is energy efficient (CELMA EEI A2 BAT).

### Benefits

- Robust design that meets all relevant international safety and performance standards, in combination with good energy efficiency
- Automatic restart (after voltage dip or lamp exchange) ensures easy operation and hassle-free re-lamping.
- Suitable for DC emergency operation, 186 to 275 V (at -10 °C) and in line with IEC/EN 60598-2-22 luminaire norms

### Features

- 50,000-hour lifetime at maximum case temperature, combined with over 60,000 on/off switches on one lamp
- Programmed, flicker-free, pre-heated start (<1.6 s) which allows the lamp to be switched on and off without reducing useful lamp life
- Active power factor correction to ensure constant light, irrespective of mains-voltage fluctuations
- The unit is protected against excessive mains voltage and incorrect connections.

# HF-Performer III for PL-L lamps

## Application

- Ideal for commercial indoor lighting applications where it is necessary to reduce the wattage per square meter or operating costs
- Used with movement-detection control systems like Philips OccuPlus
- Mainly for indoor applications, such as spotlights, downlights and recessed fixtures used primarily in retail stores, office buildings, supermarkets, hotels, convenience stores and industrial premises with long operating hours (e.g. corridors)

## Versions

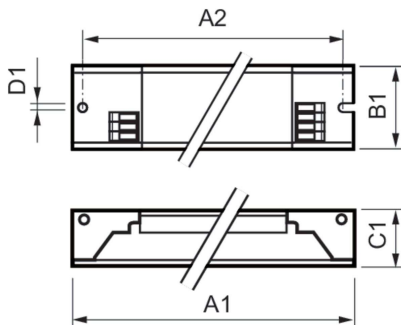


Lamp Driver, eFluo, HF-P 154/155  
TL5 HO/PL-L III IDC



GPPR PPPLTL-3 0001

## Dimensional drawing



Product	D1	C1	A1	A2	B1
HF-P 154/155 TL5 HO/PLL III 220-240V IDC	4.2 mm	22.0 mm	360.0 mm	350.0 mm	30.0 mm
HF-P 254/255 TL5 HO/PLL III 220-240V IDC	4.2 mm	22.0 mm	360.0 mm	350.0 mm	30.0 mm
HF-P 280 TL5/PL-L III 220-240V 50/60Hz	4.2 mm	21.0 mm	425.0 mm	415.0 mm	30.0 mm

### Operating and Electrical

Input Frequency	50 to 60 Hz
Input Voltage	220 to 240 V
Line Frequency	50 to 60 Hz

### Approval and Application

Energy Efficiency Index	A2 BAT
-------------------------	--------

## Operating and Electrical

Order Code	Full Product Name	Number of Products on MCB (16A Type B) (Nom)
86348200	HF-P 154/155 TL5 HO/PL-L III IDC	28
86351200	HF-P 254/255 TL5 HO/PL-L III IDC	12

Order Code	Full Product Name	Number of Products on MCB (16A Type B) (Nom)
95230800	HF-P 280 TL5/PL-L III 220-240V 50/60Hz	8

## Mechanical and Housing

## HF-Performer III for PL-L lamps

Order Code	Full Product Name	Housing	Order Code	Full Product Name	Housing
86348200	HF-P 154/155 TL5 HO/PL-L III IDC	L360x30x22	95230800	HF-P 280 TL5/PL-L III 220-240V 50/60Hz	L 425x30x21
86351200	HF-P 254/255 TL5 HO/PL-L III IDC	L360x30x22			

