



StoreFlux – Powerful LED accent lighting delivered in style

StoreFlux gen3 rim

With StoreFlux, retailers can enjoy the superior quality of light and market-leading energy efficiency of PerfectAccent optics in a refined and neutral product design that nicely blends in-shop architecture. The StoreFlux gridlight can be equipped with up to three LED modules with the PerfectAccent reflector system to deliver top-quality accent lighting that makes your shop and merchandise look great. As well as its long service lifetime, StoreFlux also offers tool-free reflector replacement, with an easy access to the driver for hassle-free maintenance.

Benefits

- More sparkle and enhanced eye comfort for shoppers with PerfectAccent optics
- Best-in-class efficacy to reduce carbon footprint and save on energy use
- Easy maintenance and upgrades with toolless access to driver and optics
- The clean and refined product design helps the spots blend in with ceilings
- Possibility to pack numerous spots in one product (up to 3 spots)

Features

- Strong accent effect with up to 3,900 lm
- Available with PerfectAccent high-efficacy reflectors
- Optional front glass (advised in dusty environments)
- Available in white and black finish
- Available in 827, 830 and 840 and LED flavours (PremiumWhite930 and PremiumColor930) – ask your sales contact for other requests
- Wired (DALI) connectivity option available
- Single, double or triple spot options

StoreFlux gen3 rim

Application

- Fashion
- Retail
- Hospitality
- Food and large retailers

Warnings and Safety

- The luminaire should be mounted out of arm's reach. Manipulating the product when hot is only possible with an insulated glove
- The luminaire should be installed and disassembled by a qualified electrician and wired in accordance with the latest IEE electrical regulations or the national requirements
- All photometrical data is calculated without optional front glass. Flux should be reduced by 3.5% when using a front glass
- In case of no front glass lens, cleaning the optic should only be done with pressurised air. Touching the LED or reflector is forbidden. For areas with high levels of dust, the use of the optional front glass is strongly advised, as it can then be easily cleaned with a (dry) microfibre cloth
- For multi-spot configurations, please use single configuration photometry and duplicate it according to the number of spots in a given configuration.

Versions



StoreFlux gen3 PerfectAccent-GD622B BK



StoreFlux gen3 PerfectAccent-GD623B WH

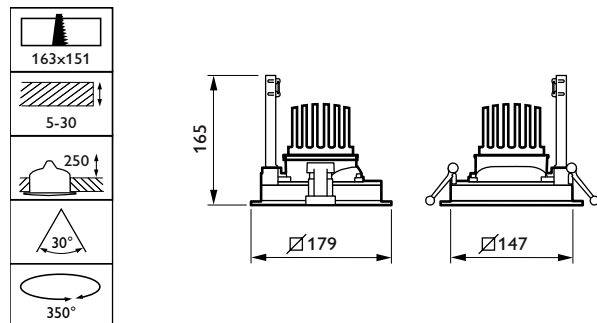
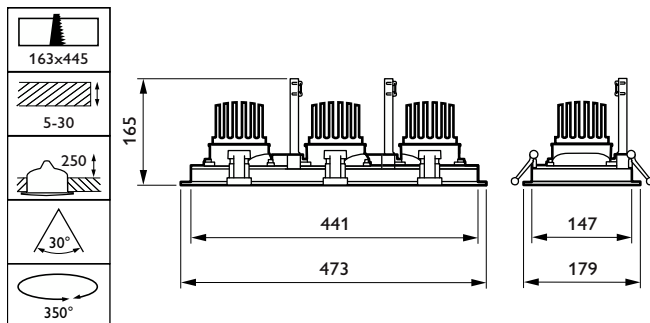


StoreFlux gen3 PerfectAccent-GD623B BK



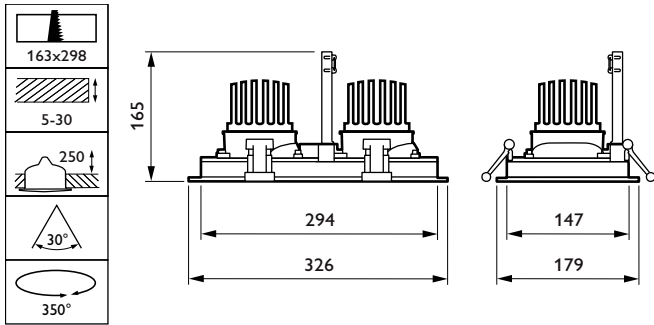
StoreFlux gen3 PerfectAccent-GD622B WH

Dimensional drawing



StoreFlux gen3 rim

Dimensional drawing



Product details

StoreFlux gen3 PerfectAccent-
GD622B_BK_SPP2-DPP



StoreFlux gen3 PerfectAccent-
GD623B_BK_SPP2-DPP



StoreFlux gen3 PerfectAccent-
GD623B_WH_SPP2-DPP



StoreFlux gen3 PerfectAccent-
GD621B_WH_SPP2-DPP



StoreFlux gen3 PerfectAccent-
GD622B_WH_SPP2-DPP



General Information

Driver included	Yes
Light source replaceable	No
Service Tag	Yes

Light Technical

Beam angle of light source	120 degree(s)
Correlated Colour Temperature (Nom)	3000 K

Operating and Electrical

Protection class IEC	Safety class II
Input Voltage	220 to 240 V
Line Frequency	50 to 60 Hz
Suitable for random switching	No

Mechanical and Housing

Mech. impact protection code	IK02
Ingress protection code	IP20

Approval and Application

Ambient temperature range	+10 to +35 °C
CE mark	Yes
ENEC mark	ENEC mark
Flammability mark	For mounting on normally flammable surfaces
Glow-wire test	Temperature 650 °C, duration 30 s
Flickering value (PstLM)	1
Stroboscopic effect	0.5

Initial Performance (IEC Compliant)

Luminous flux tolerance	+/-10%
-------------------------	--------

General Information

Order Code	Full Product Name	Number of gear units
910505102206	GD622B 39S/PW930 PSU-E HWB BK	2 units
910505102207	GD623B 27S/830 PSU-E WB WH	3 units
910505102194	GD621B 17S/830 PSU-E WB WH	Unit
910505102197	GD621B 27S/830 DIA-E WB WH	Unit
910505102201	GD621B 27S/PW930 PSU-E HWB WH	Unit
910505102208	GD623B 39S/PW930 PSU-E HWB BK	3 units
910505102205	GD622B 27S/830 PSU-E WB WH	2 units

Light Technical

Order Code	Full Product Name	Colour rendering index (CRI)	Luminous efficacy (rated) (nom.)	Luminous Flux	Optic type
910505102206	GD622B 39S/PW930 PSU-E HWB BK	>90	138 lm/W	8,000 lm	High-reflective metal reflector Wide beam 40 to 80 degrees
910505102207	GD623B 27S/830 PSU-E WB WH	>80	136 lm/W	8,000 lm	Wide beam
910505102194	GD621B 17S/830 PSU-E WB WH	>80	144 lm/W	1,700 lm	Wide beam

Order Code	Full Product Name	Colour rendering index (CRI)	Luminous efficacy (rated) (nom.)	Luminous Flux	Optic type
910505102197	GD621B 27S/830 DIA-E WB WH	>80	138 lm/W	2,700 lm	Wide beam
910505102201	GD621B 27S/PW930 PSU-E HWB WH	>90	136 lm/W	2,700 lm	High-reflective metal reflector Wide beam 40 to 80 degrees
910505102208	GD623B 39S/PW930 PSU-E HWB BK	>90	140 lm/W	12,000 lm	High-reflective metal

StoreFlux gen3 rim

Order Code	Full Product Name	Colour rendering index (CRI)	Luminous efficacy (rated) (nom.)	Luminous Flux	Optic type
		(CRI)	(nom.)	Flux	Optic type
					reflector
					Wide beam

Order Code	Full Product Name	Colour rendering index (CRI)	Luminous efficacy (rated) (nom.)	Luminous Flux	Optic type
		(CRI)	(nom.)	Flux	Optic type
					40 to 80 degrees
910505102205	GD622B 27S/830 PSU-E WB WH	>80	137 lm/W	5,400 lm	Wide beam

Operating and Electrical

Order Code	Full Product Name	Power Consumption
910505102206	GD622B 39S/PW930 PSU-E HWB BK	58 W
910505102207	GD623B 27S/830 PSU-E WB WH	59 W
910505102194	GD621B 17S/830 PSU-E WB WH	11.8 W
910505102197	GD621B 27S/830 DIA-E WB WH	19.6 W

Order Code	Full Product Name	Power Consumption
910505102201	GD621B 27S/PW930 PSU-E HWB WH	19.8 W
910505102208	GD623B 39S/PW930 PSU-E HWB BK	86 W
910505102205	GD622B 27S/830 PSU-E WB WH	39 W

Controls and Dimming

Order Code	Full Product Name	Dimmable	Maximum dim level
910505102206	GD622B 39S/PW930 PSU-E HWB BK	No	Not applicable
910505102207	GD623B 27S/830 PSU-E WB WH	No	Not applicable
910505102194	GD621B 17S/830 PSU-E WB WH	No	Not applicable
910505102197	GD621B 27S/830 DIA-E WB WH	Yes	10%

Order Code	Full Product Name	Dimmable	Maximum dim level
910505102201	GD621B 27S/PW930 PSU-E HWB WH	No	Not applicable
910505102208	GD623B 39S/PW930 PSU-E HWB BK	No	Not applicable
910505102205	GD622B 27S/830 PSU-E WB WH	Yes	Not applicable

Mechanical and Housing

Order Code	Full Product Name	Housing Colour
910505102206	GD622B 39S/PW930 PSU-E HWB BK	Black
910505102207	GD623B 27S/830 PSU-E WB WH	White
910505102194	GD621B 17S/830 PSU-E WB WH	White
910505102197	GD621B 27S/830 DIA-E WB WH	White

Order Code	Full Product Name	Housing Colour
910505102201	GD621B 27S/PW930 PSU-E HWB WH	White
910505102208	GD623B 39S/PW930 PSU-E HWB BK	Black
910505102205	GD622B 27S/830 PSU-E WB WH	White

Initial Performance (IEC Compliant)

Order Code	Full Product Name	Initial chromaticity
910505102206	GD622B 39S/PW930 PSU-E HWB BK	(0.422,0.386)<2
910505102207	GD623B 27S/830 PSU-E WB WH	(0.434,0.403)<3
910505102194	GD621B 17S/830 PSU-E WB WH	(0.434,0.403)<2
910505102197	GD621B 27S/830 DIA-E WB WH	(0.434,0.403)<2

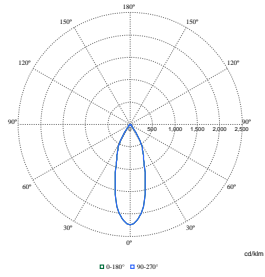
Order Code	Full Product Name	Initial chromaticity
910505102201	GD621B 27S/PW930 PSU-E HWB WH	(0.422,0.386)<2
910505102208	GD623B 39S/PW930 PSU-E HWB BK	(0.422,0.386)<2
910505102205	GD622B 27S/830 PSU-E WB WH	(0.434,0.403)<2

Product Data

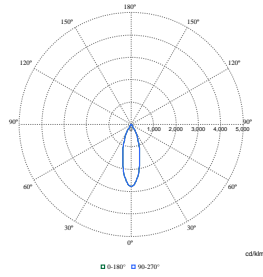
Order Code	Full Product Name	Product family code
910505102206	GD622B 39S/PW930 PSU-E HWB BK	GD622B
910505102207	GD623B 27S/830 PSU-E WB WH	GD623B
910505102194	GD621B 17S/830 PSU-E WB WH	GD621B
910505102197	GD621B 27S/830 DIA-E WB WH	GD621B

Order Code	Full Product Name	Product family code
910505102201	GD621B 27S/PW930 PSU-E HWB WH	GD621B
910505102208	GD623B 39S/PW930 PSU-E HWB BK	GD623B
910505102205	GD622B 27S/830 PSU-E WB WH	GD622B

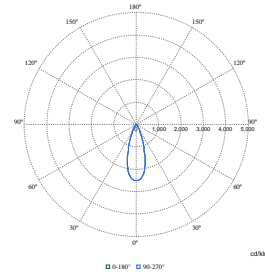
Polar Wide Diagrams



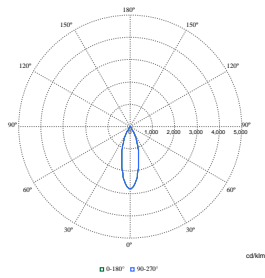
Polar Normal (separate) - GD601BI - 910505102201



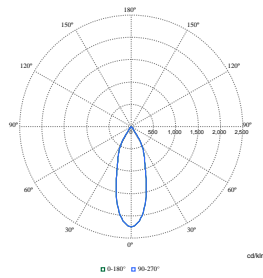
Polar Normal (separate) - GD601BI - 910505102197



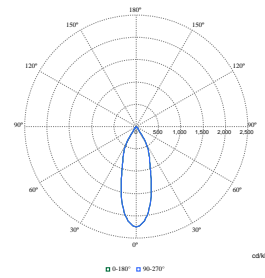
Polar Normal (separate) - GD601BI - 910505102194



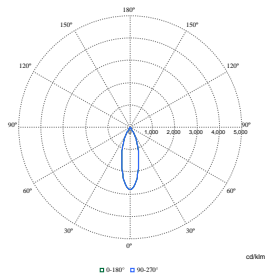
Polar Normal (separate) - GD601BI - 910505102205



Polar Normal (separate) - GD601BI - 910505102206



Polar Normal (separate) - GD601BI - 910505102208



Polar Normal (separate) - GD601BI - 910505102207

