

An energy-efficient solution

EB-Certalume for TL-D lamps

EB-Certalume is the most cost-effective, slim and affordable ballast for reliable operation of a fluorescent lamp. It is also the ideal entry-level product for electromagnetic system users who want to enjoy the benefits offered by electronic ballasts. The cost-saving and reliable EB-Certalume has energy efficiency class A2, and its robust design meets all relevant international safety and performance standards. EB-Certalume is intended for use with indoor lighting fixtures such as recessed luminaires, which are widely used in office, industrial, hotel, restaurant and other applications.

Benefits

- Automatic restart (after voltage dip or lamp replacement) ensures easy operation and hassle-free re-lamping
- Automatic restart (after voltage dip or lamp replacement) ensures easy operation and hassle-free re-lamping
- DC emergency operation and EMC-compliant to EN 55015 2006 + A1 2007
- DC emergency operation and EMC-compliant to EN 55015 2006 + A1 2007
- Suitable for luminaires in protection class I and, after testing, class II
- Suitable for luminaires in protection class I and, after testing, class II

EB-Certalume for TL-D lamps

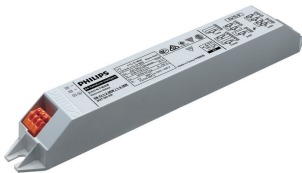
Features

- Energy efficiency: CELMA A2
- Energy efficiency: CELMA A2
- Compliant with CCC certificate, including safety according to IEC 61347
- Compliant with CCC certificate, including safety according to IEC 61347
- Robust design for 20,000 hours lifetime with a failure rate of 0.3% per 1,000 hours at Tc max = 75 °C
- Robust design for 20,000 hours lifetime with a failure rate of 0.3% per 1,000 hours at Tc max = 75 °C
- Reduced lamp preheating for min. 3,000 on/off switches on one lamp without replacement of lamps
- Reduced lamp preheating for min. 3,000 on/off switches on one lamp without replacement of lamps
- EMC-compliant to EN 55015 2006 + A1 2007
- EMC-compliant to EN 55015 2006 + A1 2007

Application

- Ideal for applications with long burning hours and infrequent on/off switching activity
- Ideal for applications with long burning hours and infrequent on/off switching activity
- Professional indoor applications (e.g. offices and hotels), department stores, shops, supermarkets and public areas and indoor lighting boxes and homes
- Professional indoor applications (e.g. offices and hotels), department stores, shops, supermarkets and public areas and indoor lighting boxes and homes

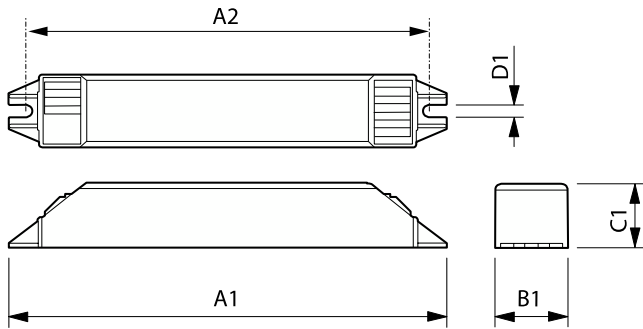
Versions



EB-Ci 1-2-4 Lamp 18-36W TLD 220-240V

EB-Certalume for TL-D lamps

Dimensional drawing



Product	A1	A2	B1	C1	D1
EB-Ci 1-2 36W / 1-4 18W 220-240V 50/60Hz	210 mm	200 mm	30 mm	26 mm	4.3 mm

