



# HID-PrimaVision Xtreme for CPO - Xtreme drivers for the highest reliability

## PrimaVision Xtreme for CPO

Highly reliable electronic drivers for CPO lamps; designed to save energy by offering better light efficiency than magnetic drivers and to reduce maintenance costs thanks to 80,000-hour lifetime and integrated lightning protection

### Benefits

- Together with the CPO lamp the driver creates the most efficient white-light system in the industry in its power range
- Up to 15% energy saving due to the high driver efficiency (92%) and better wattage control at overvoltage (compared with magnetic ballasts)
- Minimises maintenance cost due to the Xtreme lifetime of 80,000 hours and integrated lightning protection

### Features

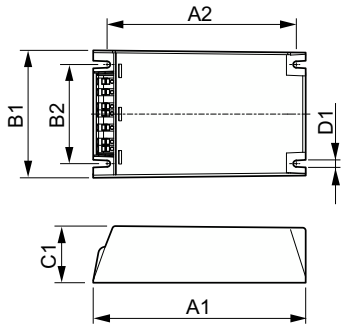
- Xtreme long lifetime of 80,000 hours, with minimum 90% survival at  $T_c = 80\text{ }^\circ\text{C}$ )
- Xtreme lightning protection 10 kV/5 kA
- Xtreme protection against humidity and vibration
- Better lighting efficiency than magnetic ballasts
- Accurate lamp power stabilisation of 95-97% over wide mains-voltage range of 180-300 V

# PrimaVision Xtreme for CPO

## Application

- Residential lighting
- City beautification
- Road/highway lighting

## Dimensional drawing



Product	D1	C1	A1	A2	B1	B2
HID-PV Xt 140 CPO Q 208-277V	4.5 mm	40.0 mm	150.0 mm	133.6 mm	90.0 mm	70.0 mm
HID-PV Xt 60 CPO Q 208-277V	4.5 mm	40.0 mm	150.0 mm	133.6 mm	90.0 mm	70.0 mm
HID-PV Xt 90 CPO Q 208-277V	4.5 mm	40.0 mm	150.0 mm	133.6 mm	90.0 mm	70.0 mm

### Operating and Electrical

Input Frequency	50 to 60 Hz
Input Voltage	208-240-277 V
Line Frequency	50 to 60 Hz

### Mechanical and Housing

Housing	Q
---------	---

## Operating and Electrical

Order Code	Full Product Name	Number of Products on MCB (16A Type B) (Nom)
913700685466	HID-PV Xt 60 CPO Q 208-277V	11
913700685566	HID-PV Xt 90 CPO Q 208-277V	5

Order Code	Full Product Name	Number of Products on MCB (16A Type B) (Nom)
913700685666	HID-PV Xt 140 CPO Q 208-277V	5

