



High quality and robust performance

PrimaVision Compact for CDM

High-quality, compact and lightweight HID electronic gear for optimal and reliable performance of 20, 35, 50 and 70 W CDM lamps

优点

- Optimal lamp performance thanks to minimal lamp power tolerance
- CDM lamp life increased by up to 30%
- Eliminates all visible lamp flicker

特点

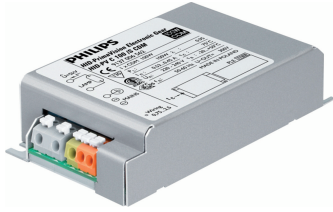
- Minimal lamp power spread
- Low gear energy losses
- Lamp end-of-life detection
- High Tambient and Tcase temperatures
- Long lifetime of 40,000 hours

应用

- Accent and decorative lighting for shops, public spaces, lobbies and offices
- Suitable for indoor use only

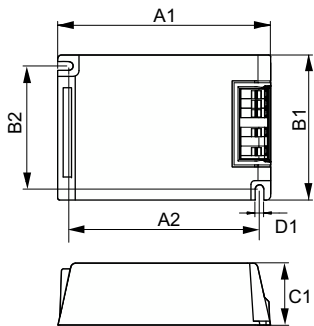
PrimaVision Compact for CDM

Versions



GPPR IPVG4pp PHL 0010

二维绘图



Product	D1	C1	A1	A2	B1	B2
HID-PV C 35 /S CDM 220-240V 50/60Hz NG	4.9 mm	32.2 mm	109.6 mm	98.5 mm	74.4 mm	63.7 mm
HID-PV C 70 /S CDM 220-240V 50/60Hz NG	4.9 mm	32.2 mm	109.6 mm	98.5 mm	74.4 mm	63.7 mm

運轉與電力

輸入頻率	50 至 60 Hz
輸入電壓	220 至 240 V
線路頻率	50 to 60 Hz

機械與外罩

外罩	/S
----	----

運轉與電力

Order Code	Full Product Name	MCB 上的產品數量 (16A 類型 B) (規範)
913700652766	HID-PV C 35 /S CDM 220-240V 50/60Hz NG	24

Order Code	Full Product Name	MCB 上的產品數量 (16A 類型 B) (規範)
913700652966	HID-PV C 70 /S CDM 220-240V 50/60Hz NG	20

