



High quality and robust performance

PrimaVision Compact for CDM

High-quality, compact and lightweight HID electronic gear for optimal and reliable performance of 20, 35, 50 and 70 W CDM lamps

Benefits

- Optimal lamp performance thanks to minimal lamp power tolerance
- Optimal lamp performance thanks to minimal lamp power tolerance
- CDM lamp life increased by up to 30%
- CDM lamp life increased by up to 30%
- Eliminates all visible lamp flicker
- Eliminates all visible lamp flicker

Features

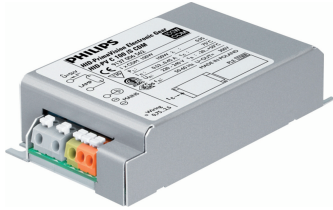
- Minimal lamp power spread
- Minimal lamp power spread
- Low gear energy losses
- Low gear energy losses
- Lamp end-of-life detection
- Lamp end-of-life detection
- High Tambient and Tcase temperatures
- High Tambient and Tcase temperatures
- Long lifetime of 40,000 hours
- Long lifetime of 40,000 hours

Application

- Accent and decorative lighting for shops, public spaces, lobbies and offices
- Accent and decorative lighting for shops, public spaces, lobbies and offices
- Suitable for indoor use only
- Suitable for indoor use only

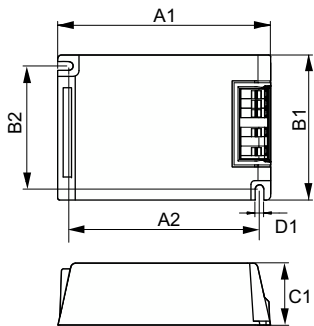
PrimaVision Compact for CDM

Versions



GPPR IPVG4pp PHL 0010

Dimensional drawing



| Product | D1 | C1 | A1 | A2 | B1 | B2 |
|---|--------|---------|----------|---------|---------|---------|
| HID-PV C 70 /S CDM 220-240V 50/60Hz NG | 4.9 mm | 32.2 mm | 109.6 mm | 98.5 mm | 74.4 mm | 63.7 mm |

