



High quality and robust performance

PrimaVision Compact for CDM

High-quality, compact and lightweight HID electronic gear for optimal and reliable performance of 20, 35, 50 and 70 W CDM lamps

Benefits

- Optimal lamp performance thanks to minimal lamp power tolerance
- CDM lamp life increased by up to 30%
- Eliminates all visible lamp flicker

Features

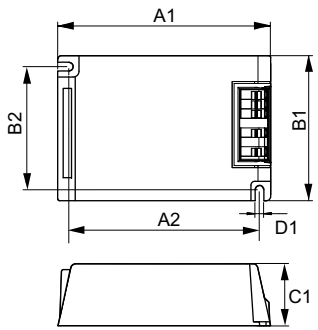
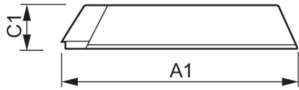
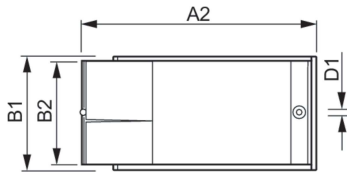
- Minimal lamp power spread
- Low gear energy losses
- Lamp end-of-life detection
- High Tambient and Tcase temperatures
- Long lifetime of 40,000 hours

Application

- Accent and decorative lighting for shops, public spaces, lobbies and offices
- Suitable for indoor use only

PrimaVision Compact for CDM

Dimensional drawing



Product	D1	C1	A1	A2	B1
HID-PV C 35 /I CDM 220-240V 50/60Hz NG	4.8 mm	34.5 mm	188.0 mm	170.0 mm	82.7 mm
HID-PV C 70 /I CDM 220-240V 50/60Hz NG	4.8 mm	34.5 mm	188.0 mm	170.0 mm	82.7 mm

Product	D1	C1	A1	A2	B1	B2
HID-PV C 35 /S CDM 220-240V 50/60Hz NG	4.9 mm	32.2 mm	109.6 mm	98.5 mm	74.4 mm	63.7 mm
HID-PV C 70 /S CDM 220-240V 50/60Hz NG	4.9 mm	32.2 mm	109.6 mm	98.5 mm	74.4 mm	63.7 mm

Operating and Electrical

Input frequency	50 to 60 Hz
Input Voltage	220 to 240 V
Line Frequency	50 to 60 Hz

Operating and Electrical

Order Code	Full Product Name	Number of products on MCB (16 A type B) (nom.)
913700653166	HID-PV C 35 /I CDM 220-240V 50/60Hz NG	24
913700653266	HID-PV C 70 /I CDM 220-240V 50/60Hz NG	20

Order Code	Full Product Name	Number of products on MCB (16 A type B) (nom.)
913700652766	HID-PV C 35 /S CDM 220-240V 50/60Hz NG	24
913700652966	HID-PV C 70 /S CDM 220-240V 50/60Hz NG	20

Mechanical and Housing

Order Code	Full Product Name	Housing
913700653166	HID-PV C 35 /I CDM 220-240V 50/60Hz NG	/I
913700653266	HID-PV C 70 /I CDM 220-240V 50/60Hz NG	/I

Order Code	Full Product Name	Housing
913700652766	HID-PV C 35 /S CDM 220-240V 50/60Hz NG	/S
913700652966	HID-PV C 70 /S CDM 220-240V 50/60Hz NG	/S

PrimaVision Compact for CDM

