



High quality and robust performance

PrimaVision Compact for CDM

High-quality, compact and lightweight HID electronic gear for optimal and reliable performance of 20, 35, 50 and 70 W CDM lamps

Benefits

- Optimal lamp performance thanks to minimal lamp power tolerance
- CDM lamp life increased by up to 30%
- Eliminates all visible lamp flicker

Features

- Minimal lamp power spread
- Low gear energy losses
- Lamp end-of-life detection
- High Tambient and Tcase temperatures
- Long lifetime of 40,000 hours

Application

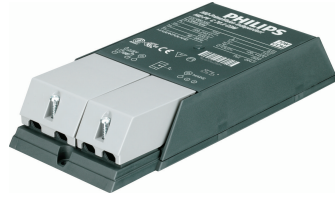
- Accent and decorative lighting for shops, public spaces, lobbies and offices
- Suitable for indoor use only

PrimaVision Compact for CDM

Versions

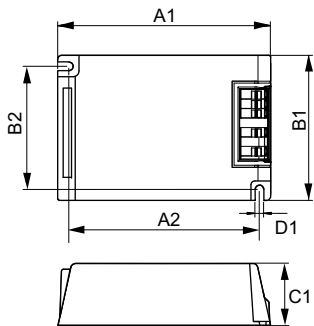
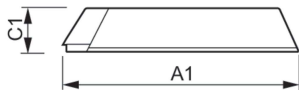
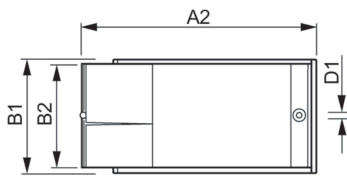


GPPR_IPVG4pp_PHL_0001-Product photo



GPPR_IPVG4pp_PHL_0008

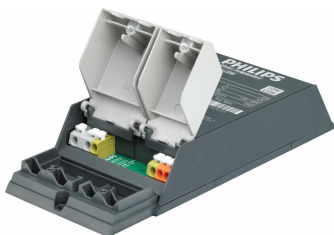
Dimensional drawing



| Product | D1 | C1 | A1 | A2 | B1 |
|---|--------|---------|----------|----------|---------|
| HID-PV C 35 /I CDM 220-240V 50/60Hz NG | 4.8 mm | 34.5 mm | 188.0 mm | 170.0 mm | 82.7 mm |
| HID-PV C 50 /I CDM 220-240V 50/60Hz | 4.8 mm | 34.5 mm | 188.0 mm | 170.0 mm | 82.7 mm |
| HID-PV C 70 /I CDM 220-240V 50/60Hz NG | 4.8 mm | 34.5 mm | 188.0 mm | 170.0 mm | 82.7 mm |

| Product | D1 | C1 | A1 | A2 | B1 | B2 |
|---|--------|---------|----------|---------|---------|---------|
| HID-PV C 35 /S CDM 220-240V 50/60Hz NG | 4.9 mm | 32.2 mm | 109.6 mm | 98.5 mm | 74.4 mm | 63.7 mm |
| HID-PV C 70 /S CDM 220-240V 50/60Hz NG | 4.9 mm | 32.2 mm | 109.6 mm | 98.5 mm | 74.4 mm | 63.7 mm |

Product details



HID-PV C 50 /I

PrimaVision Compact for CDM

Operating and Electrical

| | |
|-----------------|--------------|
| Input Frequency | 50 to 60 Hz |
| Input Voltage | 220 to 240 V |
| Line Frequency | 50 to 60 Hz |

Operating and Electrical

| Order Code | Full Product Name | Number of Products on MCB (16A Type B) (Nom) |
|------------|-------------------------------------|---|
| 93365900 | HID-PV C 50 /I CDM 220-240V 50/60Hz | 24 |
| 85973700 | HID-PV C 35 /I CDM 220-240V 50/60Hz | 24 |
| 85988100 | HID-PV C 70 /I CDM 220-240V 50/60Hz | 20 |

| Order Code | Full Product Name | Number of Products on MCB (16A Type B) (Nom) |
|------------|-------------------------------------|---|
| 85962100 | HID-PV C 35 /S CDM 220-240V 50/60Hz | 24 |
| 85974400 | HID-PV C 70 /S CDM 220-240V 50/60Hz | 20 |

Mechanical and Housing

| Order Code | Full Product Name | Housing |
|------------|-------------------------------------|---------|
| 93365900 | HID-PV C 50 /I CDM 220-240V 50/60Hz | /I |
| 85973700 | HID-PV C 35 /I CDM 220-240V 50/60Hz | /I |
| 85988100 | HID-PV C 70 /I CDM 220-240V 50/60Hz | /I |

| Order Code | Full Product Name | Housing |
|------------|-------------------------------------|---------|
| 85962100 | HID-PV C 35 /S CDM 220-240V 50/60Hz | /S |
| 85974400 | HID-PV C 70 /S CDM 220-240V 50/60Hz | /S |

