



LuxSpace square, recessed – high efficiency, visual comfort and a stylish design

LuxSpace square, recessed

Customers are looking to optimize all their resources, and that means not just their running costs (energy, etc.) but also their human resources. Energy savings are therefore a priority, but they must not have an adverse effect on the well-being of employees, who need a pleasant environment in order to be more productive, or on customers, who want to enjoy their shopping experience. LuxSpace provides the perfect combination of efficiency, light comfort and design, without compromising on lighting performance (color rendering and color uniformity). It offers a wide choice of options for creating the desired ambience, no matter the application.

Benefits

- Best-in-class efficacy
- Creates a gentle, natural light, ensuring visual comfort
- Perfect integration with the ceiling thanks to the thin, narrow rim; rimless version ideal for integration into plaster ceilings

LuxSpace square, recessed

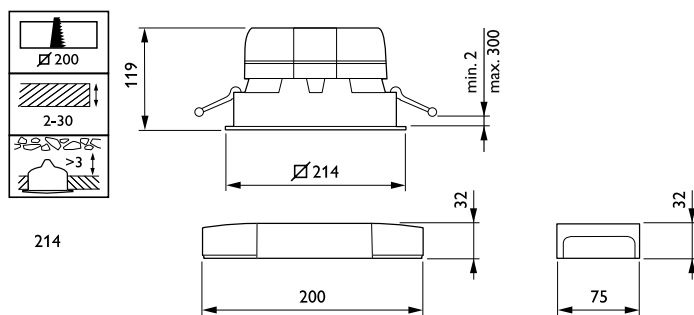
Features

- Choice of four optics: high-gloss, faceted, matt and white
- Rim colors: high-gloss metalized, white (RAL9010), grey, black (RAL9004) as standard (any other RAL color possible upon request)
- Rimless version available
- Compliant for central emergency lighting with DC
- Multiple additional options: emergency lighting (single battery 3 hours), through-wiring

Application

- Offices
- Retail
- Hospitals
- Hotels
- Airports

Dimensional drawing



LuxSpace square, recessed

General Information

Driver included	Yes
Light source replaceable	No
Number of gear units	1 unit
Service tag	Yes

Light Technical

Color rendering index (CRI)	>80
Optic type	-

Operating and Electrical

Protection class IEC	Safety class II
Input Voltage	220 to 240 V
Line Frequency	50 to 60 Hz
Power Consumption	13 W
Suitable for random switching	Yes

Controls and Dimming

Dimmable	No
----------	----

Mechanical and Housing

Housing Color	White
Mech. impact protection code	IK02
Ingress protection code	IP20

Approval and Application

Ambient temperature range	+10 to +25 °C
CE mark	Yes
ENEC mark	ENEC mark
Flammability mark	For mounting on normally flammable surfaces
Glow-wire test	Temperature 650 °C, duration 30 s

Initial Performance (IEC Compliant)

Luminous flux tolerance	+/-10%
-------------------------	--------

Product Data

Product family code	DN572B
---------------------	--------

Light Technical

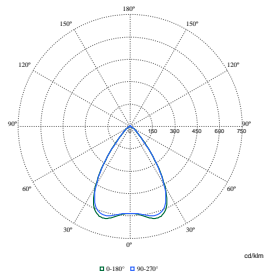
Order Code	Full Product Name	Correlated Color	Luminous Efficacy	
		Temperature (Nom)	(rated) (Nom)	Luminous Flux
910505100947	DN572B LED20S/830UE PSU-E C WH	3000 K	163 lm/W	2,100 lm
910505100948	DN572B LED20S/840UE PSU-E C WH	4000 K	172 lm/W	2,200 lm

Initial Performance (IEC Compliant)

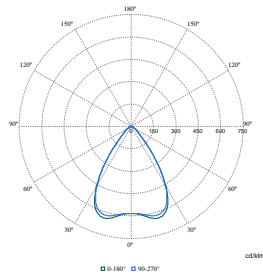
Order Code	Full Product Name	Initial chromaticity	Order Code	Full Product Name	Initial chromaticity
910505100947	DN572B LED20S/830UE PSU-E C WH	(0.43, 0.40) SDCM <2	910505100948	DN572B LED20S/840UE PSU-E C WH	(0.38, 0.38) SDCM <2

LuxSpace square, recessed

Polar Wide Diagrams



**Polar Normal (separate) - DN572BI -
910505100948**



**Polar Normal (separate) - DN572BI -
910505100947**

