



Install smarter, finish sooner Choose long-lasting reliability and performance

CoreLine SlimDownlight

CoreLine slimdownlight delivers on the CoreLine promise of innovative, easy to use and high-quality indoor LED downlights. CoreLine slimdownlight is an innovative range of recessed and surface-mounted luminaires. It is designed to provide uniform lighting across multiple application areas. With instant energy savings and a longer lifetime, this is an environmentally friendly and cost saving solution. Its MultiColorTemp feature offers a choice of two color temperatures in a single luminaire. This makes it easy to select the right product, gives you the flexibility respond to customer preferences on site, and means fewer product codes on stock. Simple and easy installation means our slim downlight fits the same size cut-out, while the minimal built-in depth of 34mm makes this product an ideal space saving solution, especially for projects with limited fitting space. InterAct Ready option with integrated wireless communications in this family is available, to be used with InterAct gateways, sensors and software.

Benefits

- MultiColorTemp option to change color temperature on site and simplify product selection
- Energy saving and longer lifetime to reduce overall operating costs
- Covers recessed and surface-mounted installations
- Fits suspended ceilings with low space (Product height < 50mm)
- Surface of light effect creates a comfortable, uniform look

CoreLine SlimDownlight

Features

- MultiColorTemp feature: two color temperature options in a single luminaire (3000K-4000K)
- Recessed (DN145B) and surface-mounted versions (DN145C)
- Energy-efficient with a long lifespan: up to 100lm/W and 50,000 hours @L70
- Push-in connector with through-wiring option
- Multiple light output options: 650/1100/2100 lumen
- Color temperature: 3000K and 4000K
- Choice of drivers; DALI and wireless with Interact ready
- Total height (including driver): 34mm recessed; 50mm surface mounted

Application

- Corridors
- Retail stores
- Reception areas
- Restrooms
- Technical rooms

Versions



CoreLine SlimDownlight DN145B
Compact PSU



Coreline SlimDownlight-DN145C
10S



CoreLine SlimDownlight DN145B
Compact PSD



Coreline SlimDownlight-DN145B
10S



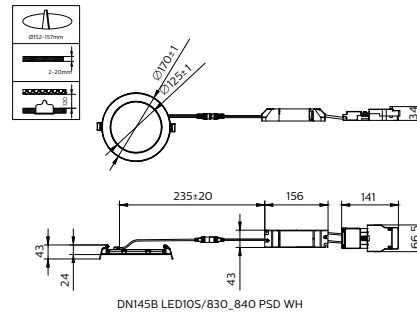
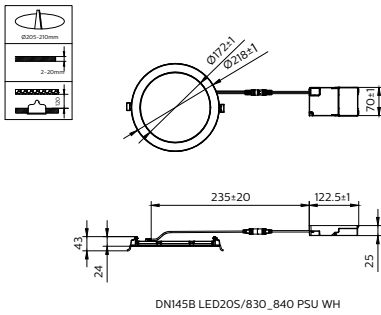
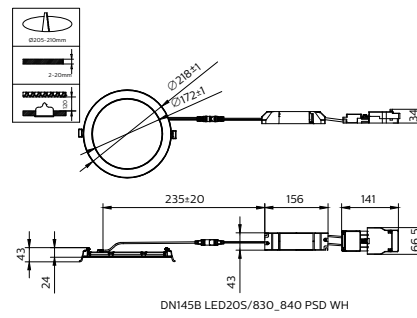
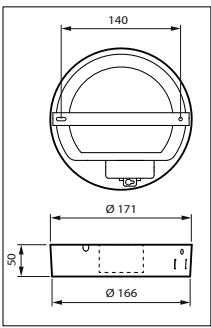
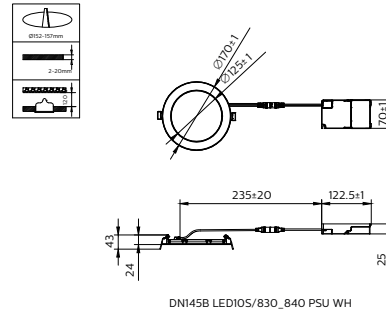
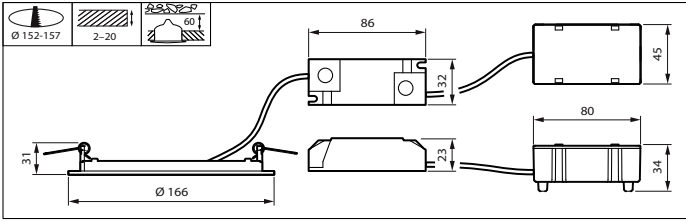
CoreLine SlimDownlight DN145B
Mini PSD



CoreLine SlimDownlight DN145B
Mini PSU

CoreLine SlimDownlight

Dimensional drawing



Product details

CoreLine SlimDownlight 2100lm
side view



CoreLine SlimDownlight Surface-mounted 2100lm



CoreLine SlimDownlight

Product details



CoreLine SlimDownlight DN145B
Compact PSU



CoreLine SlimDownlight 2100lm
with PSU driver and easy
connector



CoreLine SlimDownlight 2100lm



CoreLine SlimDownlight DN145B
PSU Driver

General Information

Driver included	Yes
Number of gear units	1 unit

Light Technical

Color rendering index (CRI)	>80
Optic type	Beam angle 90°

Operating and Electrical

Protection class IEC	Safety class II
Input Voltage	220 to 240 V
Line Frequency	50 or 60 Hz

Mechanical and Housing

Housing Color	White
---------------	-------

Approval and Application

CE mark	Yes
ENEC mark	ENEC mark
Flammability mark	For mounting on normally flammable surfaces
Glow-wire test	Temperature 650 °C, duration 30 s
Flickering value (PstLM) - Flickering value as per EN 61000-3-3	1

General Information

Order Code	Full Product Name	Lamp family code	Light source replaceable	Service tag
911401816285	DN145B LED20S/830_840 PSU WH	-	-	Yes
911401806480	DN145C LED10S/840 PSU II WH	LED10S	No	Yes
911401894787	DN145B LED20S/830_840 PSD WH	-	-	-
911401806080	DN145B LED10S/840 PSU II WH	LED10S	No	Yes
911401894687	DN145B LED10S/830_840 PSD WH	-	-	-
911401816185	DN145B LED10S/830_840 PSU WH	-	-	Yes

Light Technical (1/2)

CoreLine SlimDownlight

Order Code	Full Product		Beam angle of light source	Correlated Color Temperature (Nom)	Luminous Efficacy (rated) (Nom)
	Name	All-in Type			
911401816285	DN145B LED20S/830_840 PSU WH	All-in, Multi Color Temperature	-	3000 K	120 lm/W
911401806480	DN145C LED10S/840 PSU II WH	-	120 degree(s)	4000 K	100 lm/W
911401894787	DN145B LED20S/830_840 PSD WH	All-in, Multi Color Temperature	-	3000 K	117 lm/W

Order Code	Full Product		Beam angle of light source	Correlated Color Temperature (Nom)	Luminous Efficacy (rated) (Nom)
	Name	All-in Type			
911401806080	DN145B LED10S/840 PSU II WH	-	120 degree(s)	4000 K	100 lm/W
911401894687	DN145B LED10S/830_840 PSD WH	All-in, Multi Color Temperature	-	3000 K	115 lm/W
911401816185	DN145B LED10S/830_840 PSU WH	All-in, Multi Color Temperature	-	3000 K	120 lm/W

Light Technical (2/2)

Order Code	Full Product Name	Luminous Flux	Number of light sources
911401816285	DN145B LED20S/830_840 PSU WH	2,000 lm	-
911401806480	DN145C LED10S/840 PSU II WH	1,100 lm	1
911401894787	DN145B LED20S/830_840 PSD WH	2,000 lm	-

Order Code	Full Product Name	Luminous Flux	Number of light sources
911401806080	DN145B LED10S/840 PSU II WH	1,100 lm	1
911401894687	DN145B LED10S/830_840 PSD WH	1,080 lm	-
911401816185	DN145B LED10S/830_840 PSU WH	1,080 lm	-

Operating and Electrical

Order Code	Full Product Name	Power Consumption	Suitable for random switching
911401816285	DN145B LED20S/830_840 PSU WH	17.5 W	No
911401806480	DN145C LED10S/840 PSU II WH	11 W	Yes
911401894787	DN145B LED20S/830_840 PSD WH	18 W	No

Order Code	Full Product Name	Power Consumption	Suitable for random switching
911401806080	DN145B LED10S/840 PSU II WH	11 W	Yes
911401894687	DN145B LED10S/830_840 PSD WH	10 W	No
911401816185	DN145B LED10S/830_840 PSU WH	9.5 W	No

Controls and Dimming

Order Code	Full Product Name	Dimmable	Maximum dim level
911401816285	DN145B LED20S/830_840 PSU WH	No	-
911401806480	DN145C LED10S/840 PSU II WH	No	Not applicable
911401894787	DN145B LED20S/830_840 PSD WH	Yes	-

Order Code	Full Product Name	Dimmable	Maximum dim level
911401806080	DN145B LED10S/840 PSU II WH	No	Not applicable
911401894687	DN145B LED10S/830_840 PSD WH	Yes	-
911401816185	DN145B LED10S/830_840 PSU WH	No	-

Mechanical and Housing

Order Code	Full Product Name	Optical cover type	Mech. impact protection	
			code	Ingress protection code
911401816285	DN145B LED20S/830_840 PSU WH	-	IK03	IP20(IP44 front)
911401806480	DN145C LED10S/840 PSU II WH	Opal	IK02	IP20/44
911401894787	DN145B LED20S/830_840 PSD WH	-	IK03	IP20(IP44 front)

Order Code	Full Product Name	Optical cover type	Mech. impact protection	
			code	Ingress protection code
911401806080	DN145B LED10S/840 PSU II WH	Opal	IK02	IP20/44
911401894687	DN145B LED10S/830_840 PSD WH	-	IK03	IP20(IP44 front)

CoreLine SlimDownlight

Order Code	Full Product Name	Optical cover type	Mech. impact	
			protection code	Ingress protection code
911401816185	DN145B LED10S/ 830_840 PSU WH	-	IK03	IP20(IP44 front)

Emergency Operation

Order Code	Full Product Name	Central	
		Emergency	Emergency lighting
911401816285	DN145B LED20S/ 830_840 PSU WH	No	Self-contained emergency lighting is possible when used with a compatible battery kit accessory
911401806480	DN145C LED10S/840 PSU II WH	-	-
911401894787	DN145B LED20S/ 830_840 PSD WH	No	Self-contained emergency lighting is possible when used with a compatible battery kit accessory

Order Code	Full Product Name	Central	
		Emergency	Emergency lighting
911401806080	DN145B LED10S/840 PSU II WH	-	-
911401894687	DN145B LED10S/ 830_840 PSD WH	No	Self-contained emergency lighting is possible when used with a compatible battery kit accessory
911401816185	DN145B LED10S/ 830_840 PSU WH	No	Self-contained emergency lighting is possible when used with a compatible battery kit accessory

Approval and Application

Order Code	Full Product Name	Ambient temperature	Stroboscopic
		range	effect visibility measure (SVM)
911401816285	DN145B LED20S/ 830_840 PSU WH	-20 to +40 °C	0.4
911401806480	DN145C LED10S/840 PSU II WH	0 to +35 °C	1.6
911401894787	DN145B LED20S/ 830_840 PSD WH	-20 to +40 °C	0.4

Order Code	Full Product Name	Ambient temperature	Stroboscopic
		range	effect visibility measure (SVM)
911401806080	DN145B LED10S/840 PSU II WH	0 to +35 °C	1.6
911401894687	DN145B LED10S/ 830_840 PSD WH	-20 to +40 °C	0.4
911401816185	DN145B LED10S/ 830_840 PSU WH	-20 to +40 °C	0.4

Initial Performance (IEC Compliant)

Order Code	Full Product Name	Initial chromaticity	Luminous flux
			tolerance
911401816285	DN145B LED20S/ 830_840 PSU WH	(0.43,0.40) SDCM<3; (0.38,0.38) SDCM<3	-10% / +10%
911401806480	DN145C LED10S/840 PSU II WH	(0.38212,0.38031) SDCM<3	+/-10%
911401894787	DN145B LED20S/ 830_840 PSD WH	(0.43,0.40) SDCM<3; (0.38,0.38) SDCM<3	-10% / +10%

Order Code	Full Product Name	Initial chromaticity	Luminous flux
			tolerance
911401806080	DN145B LED10S/840 PSU II WH	(0.38212,0.38031) SDCM<3	+/-10%
911401894687	DN145B LED10S/ 830_840 PSD WH	(0.43,0.40) SDCM<3; (0.38,0.38) SDCM<3	-10% / +10%
911401816185	DN145B LED10S/ 830_840 PSU WH	(0.43,0.40) SDCM<3; (0.38,0.38) SDCM<3	-10% / +10%

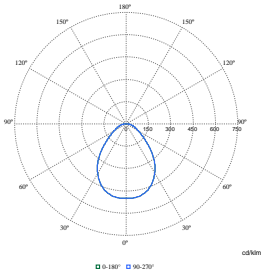
Over Time Performance (IEC Compliant)

Order Code	Full Product Name	Driver failure rate at 5000 h
911401816285	DN145B LED20S/830_840 PSU WH	-
911401806480	DN145C LED10S/840 PSU II WH	0.0015 %
911401894787	DN145B LED20S/830_840 PSD WH	-

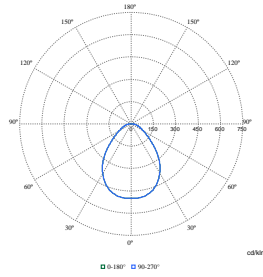
Order Code	Full Product Name	Driver failure rate at 5000 h
911401806080	DN145B LED10S/840 PSU II WH	0.0015 %
911401894687	DN145B LED10S/830_840 PSD WH	-
911401816185	DN145B LED10S/830_840 PSU WH	-

CoreLine SlimDownlight

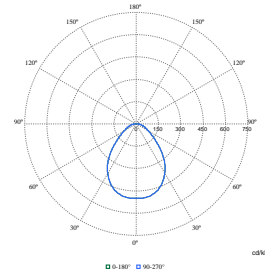
Polar Wide Diagrams



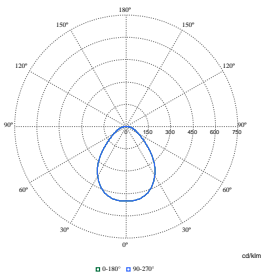
Polar Normal (separate) - 911401816185



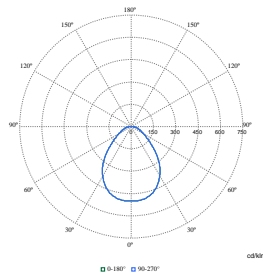
Polar Normal (separate) - 911401816285



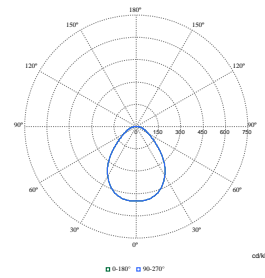
Polar Normal (separate) - 911401806080



Polar Normal (separate) - 911401806480



Polar Normal (separate) - 911401894687



Polar Normal (separate) - 911401894787

