



Install smarter, finish sooner Choose long-lasting reliability and performance

CoreLine SlimDownlight

CoreLine slimdownlight delivers on the CoreLine promise of innovative, easy to use and high-quality indoor LED downlights. CoreLine slimdownlight is an innovative range of recessed and surface-mounted luminaires. It is designed to provide uniform lighting across multiple application areas. With instant energy savings and a longer lifetime, this is an environmentally friendly and cost saving solution. Its MultiColorTemp feature offers a choice of two color temperatures in a single luminaire. This makes it easy to select the right product, gives you the flexibility respond to customer preferences on site, and means fewer product codes on stock. Simple and easy installation means our slim downlight fits the same size cut-out, while the minimal built-in depth of 34mm makes this product an ideal space saving solution, especially for projects with limited fitting space. InterAct Ready option with integrated wireless communications in this family is available, to be used with InterAct gateways, sensors and software.

Benefits

- MultiColorTemp option to change color temperature on site and simplify product selection
- Energy saving and longer lifetime to reduce overall operating costs
- Covers recessed and surface-mounted installations
- Fits suspended ceilings with low space (Product height < 50mm)
- Surface of light effect creates a comfortable, uniform look

CoreLine SlimDownlight

Features

- MultiColorTemp feature: two color temperature options in a single luminaire (3000K-4000K)
- Recessed (DN145B) and surface-mounted versions (DN145C)
- Energy-efficient with a long lifespan: up to 100lm/W and 50,000 hours @L70
- Push-in connector with through-wiring option
- Multiple light output options: 650/1100/2100 lumen
- Color temperature: 3000K and 4000K
- Choice of drivers; DALI and wireless with Interact ready
- Total height (including driver): 34mm recessed; 50mm surface mounted

Application

- Corridors
- Retail stores
- Reception areas
- Restrooms
- Technical rooms

Versions



CoreLine SlimDownlight DN145B
Compact PSU



CoreLine SlimDownlight DN145B
Compact WIA



CoreLine SlimDownlight DN145B
Mini WIA



CoreLine SlimDownlight DN145B
Compact PSD



CoreLine SlimDownlight DN145B
Micro PSU



CoreLine SlimDownlight DN145B
Mini PSD

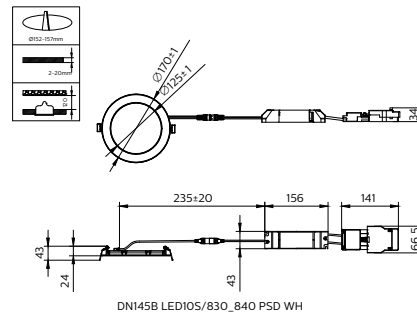
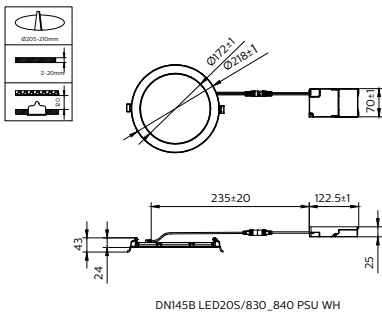
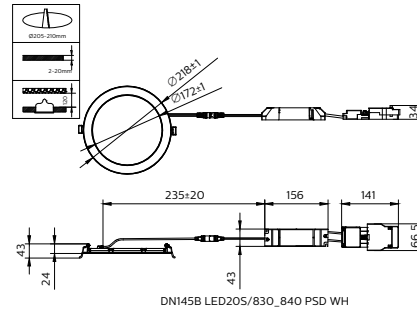
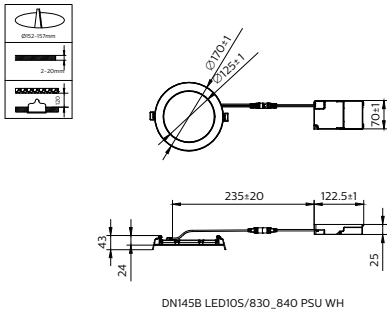
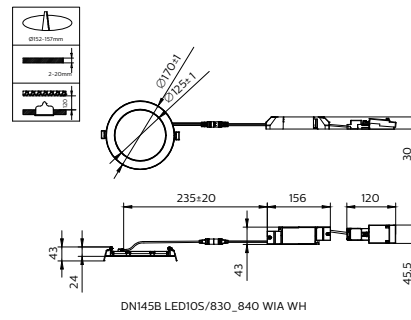
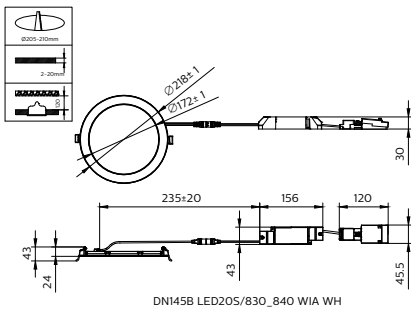
CoreLine SlimDownlight

Versions

CoreLine SlimDownlight DN145B
Mini PSU

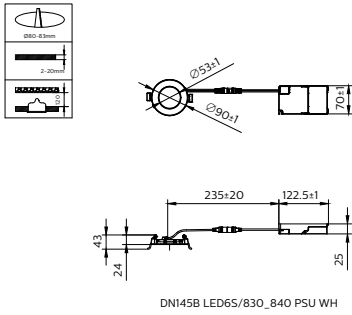


Dimensional drawing



CoreLine SlimDownlight

Dimensional drawing



Product details



CoreLine SlimDownlight DN145B
Compact PSU



CoreLine SlimDownlight DN145B
PSU Driver

CoreLine SlimDownlight

General Information

Driver included	Yes
Number of gear units	1 unit

Light Technical

All-in Type	All-in, Multi Color Temperature
Correlated Color Temperature (Nom)	3000 K
Color rendering index (CRI)	>80
Optic type	Beam angle 90°

Operating and Electrical

Protection class IEC	Safety class II
Input Voltage	220 to 240 V
Line Frequency	50 or 60 Hz
Suitable for random switching	No

Mechanical and Housing

Housing Color	White
Mech. impact protection code	IK03

Emergency Operation

Central Emergency	No
Emergency lighting	Self-contained emergency lighting is possible when used with a compatible battery kit accessory

Approval and Application

Ambient temperature range	-20 to +40 °C
CE mark	Yes
ENEC mark	ENEC mark
Flammability mark	For mounting on normally flammable surfaces
Glow-wire test	Temperature 650 °C, duration 30 s
Flickering value (PstLM) - Flickering value as per EN 61000-3-3	1
Stroboscopic effect visibility measure (SVM)	0.4

Initial Performance (IEC Compliant)

Initial chromaticity	(0.43,0.40) SDCM<3; (0.38,0.38) SDCM<3
Luminous flux tolerance	-10% / +10%

General Information

Order Code	Full Product Name	Service tag
911401816285	DN145B LED20S/830_840 PSU WH	Yes
911401894987	DN145B LED20S/830_840 WIA WH	-
911401894887	DN145B LED10S/830_840 WIA WH	-
911401894787	DN145B LED20S/830_840 PSD WH	-
911401816085	DN145B LED6S/830_840 PSU WH	Yes
911401894687	DN145B LED10S/830_840 PSD WH	-
911401816185	DN145B LED10S/830_840 PSU WH	Yes

Light Technical

CoreLine SlimDownlight

Order Code	Full Product Name	Luminous Efficacy (rated) (Nom)	Luminous Flux
911401816285	DN145B LED20S/830_840 PSU WH	120 lm/W	2,000 lm
911401894987	DN145B LED20S/830_840 WIA WH	120 lm/W	2,000 lm
911401894887	DN145B LED10S/830_840 WIA WH	115 lm/W	1,080 lm
911401894787	DN145B LED20S/830_840 PSD WH	117 lm/W	2,000 lm

Order Code	Full Product Name	Luminous Efficacy (rated) (Nom)	Luminous Flux
911401816085	DN145B LED6S/830_840 PSU WH	110 lm/W	680 lm
911401894687	DN145B LED10S/830_840 PSD WH	115 lm/W	1,080 lm
911401816185	DN145B LED10S/830_840 PSU WH	120 lm/W	1,080 lm

Operating and Electrical

Order Code	Full Product Name	Power Consumption
911401816285	DN145B LED20S/830_840 PSU WH	17.5 W
911401894987	DN145B LED20S/830_840 WIA WH	17.5 W
911401894887	DN145B LED10S/830_840 WIA WH	10 W
911401894787	DN145B LED20S/830_840 PSD WH	18 W

Order Code	Full Product Name	Power Consumption
911401816085	DN145B LED6S/830_840 PSU WH	6.5 W
911401894687	DN145B LED10S/830_840 PSD WH	10 W
911401816185	DN145B LED10S/830_840 PSU WH	9.5 W

Controls and Dimming

Order Code	Full Product Name	Dimmable
911401816285	DN145B LED20S/830_840 PSU WH	No
911401894987	DN145B LED20S/830_840 WIA WH	Yes
911401894887	DN145B LED10S/830_840 WIA WH	Yes
911401894787	DN145B LED20S/830_840 PSD WH	Yes

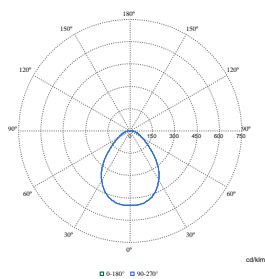
Order Code	Full Product Name	Dimmable
911401816085	DN145B LED6S/830_840 PSU WH	No
911401894687	DN145B LED10S/830_840 PSD WH	Yes
911401816185	DN145B LED10S/830_840 PSU WH	No

Mechanical and Housing

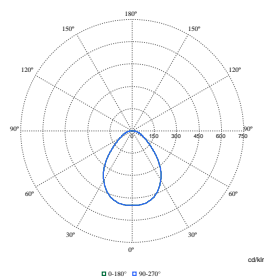
Order Code	Full Product Name	Ingress protection code
911401816285	DN145B LED20S/830_840 PSU WH	IP20(IP44 front)
911401894987	DN145B LED20S/830_840 WIA WH	IP20(IP44 front)
911401894887	DN145B LED10S/830_840 WIA WH	IP20(IP44 front)
911401894787	DN145B LED20S/830_840 PSD WH	IP20(IP44 front)

Order Code	Full Product Name	Ingress protection code
911401816085	DN145B LED6S/830_840 PSU WH	IP20/44
911401894687	DN145B LED10S/830_840 PSD WH	IP20(IP44 front)
911401816185	DN145B LED10S/830_840 PSU WH	IP20(IP44 front)

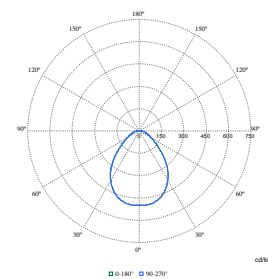
Polar Wide Diagrams



Polar Normal (separate) - 911401816085



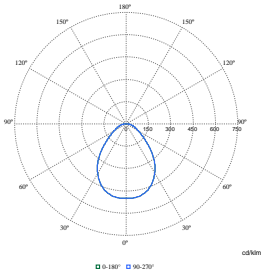
Polar Normal (separate) - 911401816185



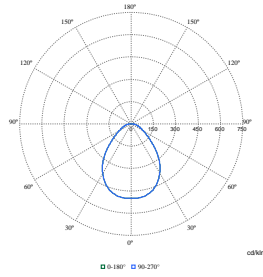
Polar Normal (separate) - 911401816285

CoreLine SlimDownlight

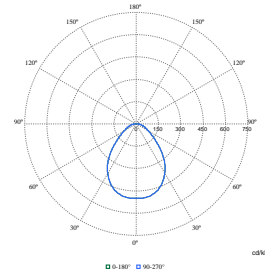
Polar Wide Diagrams



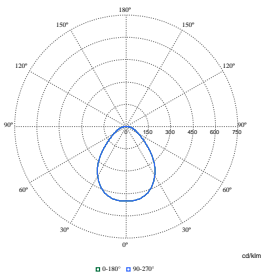
Polar Normal (separate) - 911401894687



Polar Normal (separate) - 911401894787



Polar Normal (separate) - 911401894987



Polar Normal (separate) - 911401894887

