



Proven quality. Effortless installation. Every time Your dependable and affordable choice for every job

Ledinaire SlimDownlight

The LEDINAIRE range contains a selection of popular off-the-shelf LED luminaires that come with the high Philips quality levels at a competitive price. Reliable, energy-efficient and affordable – just what you need

Benefits

- Philips quality and reliability
- Energy saving
- Comfortable diffuse surface of light

Features

- Multiple sizes and light levels available
- Multiple light colors available
- Ultra slim design

Application

- Corridors
- Rest rooms
- Waiting rooms

Ledinaire SlimDownlight

Versions

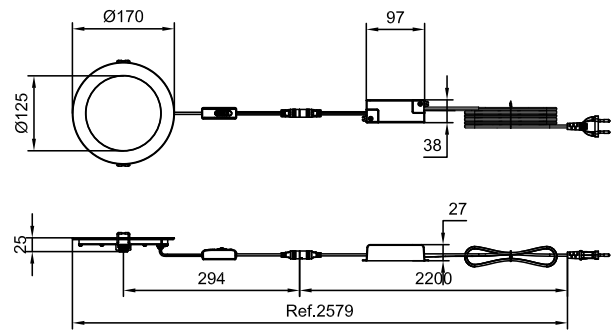
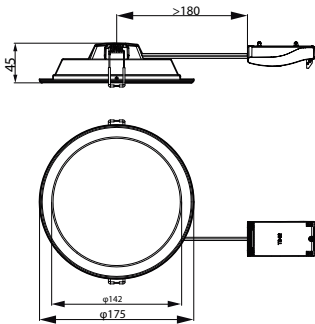


DN065B G4 LED12 12W D150 RD



DN065B G4 830 840 865 PSU E PG

Dimensional drawing



Ledinaire SlimDownlight

General Information	
Driver included	Yes
Light source replaceable	No
Light Technical	
All-in Type	All-in, Multi Color Temperature
Correlated Color Temperature (Nom)	3000 K
Color rendering index (CRI)	80
Luminous Efficacy (rated) (Nom)	100 lm/W
Luminous Flux	1,200 lm
Operating and Electrical	
Protection class IEC	Safety class II
Input Voltage	220 to 240 V
Power Consumption	12 W
Controls and Dimming	
Dimmable	No
Mechanical and Housing	
Housing Color	White
Mech. impact protection code	IK03
Ingress protection code	IP20/44
Approval and Application	
Ambient temperature range	-20 to +40 °C
CE mark	Yes
Flammability mark	For mounting on normally flammable surfaces
Initial Performance (IEC Compliant)	
Luminous flux tolerance	+/-10%

General Information

Order Code	Full Product Name	Number of gear units
929003251332	DN065B G4 LED12/830_840_865 12W D150 RD	-
929004128832	DN065B G4 12S/830_840_865 PSU-E D150 PG	1 unit

Light Technical

Order Code	Full Product Name	Optic type
929003251332	DN065B G4 LED12/830_840_865 12W D150 RD	Beam angle 110°

Order Code	Full Product Name	Optic type
929004128832	DN065B G4 12S/830_840_865 PSU-E D150 PG	Beam angle 100°

Operating and Electrical

Order Code	Full Product Name	Line Frequency	Suitable for random switching
929003251332	DN065B G4 LED12/830_840_865 12W D150 RD	50 or 60 Hz	-

Order Code	Full Product Name	Line Frequency	Suitable for random switching
929004128832	DN065B G4 12S/830_840_865 PSU-E D150 PG	-	Not applicable

Approval and Application

Ledinaire SlimDownlight

Order Code	Full Product Name	Glow-wire test	Flickering value (PstLM) - Flickering value as per EN 61000-3-3	Stroboscopic effect visibility measure (SVM)
929003251332	DN065B G4 LED12/830_840_865 12W D150 RD	-	0.7	0.4

Order Code	Full Product Name	Glow-wire test	Flickering value (PstLM) - Flickering value as per EN 61000-3-3	Stroboscopic effect visibility measure (SVM)
929004128832	DN065B G4 12S/830_840_865 PSU-E D150 PG	Temperature 650 °C, duration 30 s	0.9	0.3

Initial Performance (IEC Compliant)

Order Code	Full Product Name	Initial chromaticity
929003251332	DN065B G4 LED12/830_840_865 12W D150 RD	(0.44, 0.403) SDCM≤5
929004128832	DN065B G4 12S/830_840_865 PSU-E D150 PG	(ANSI3000K, 0.4339;, 0.4033 ; 4000K0.3761;0.3658 ; ANSI6500K0.3123;0.3283) 5SDCM

