



Simply great LED

Ledinaire SlimDownlight

The LEDINAIRE range contains a selection of popular off-the-shelf LED luminaires that come with the high Philips quality levels at a competitive price. Reliable, energy-efficient and affordable – just what you need

Benefits

- Philips quality and reliability
- Energy saving
- A comfortable, diffuse surface of light

Features

- Multiple sizes and light levels available
- Multiple light colours available
- Ultra-slim design

Application

- Corridors
- Public toilets
- Waiting rooms

Ledinaire SlimDownlight

Versions



DN065B G4 LED20 19W D200 RD

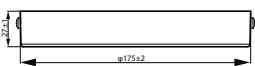
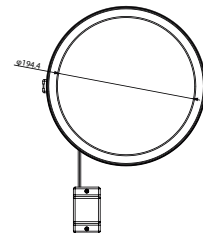
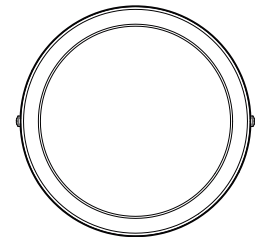
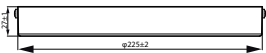
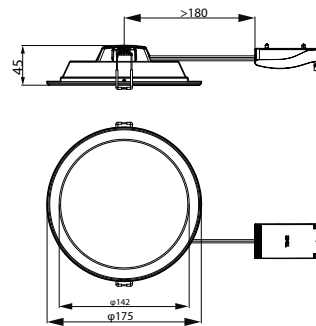
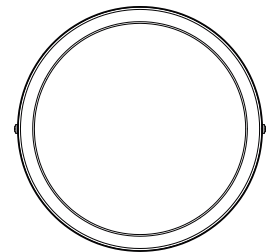
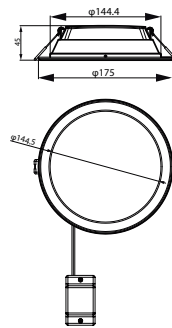
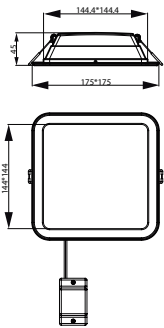


DN065B G4 LED12 12W D150 RD



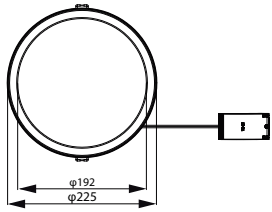
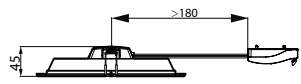
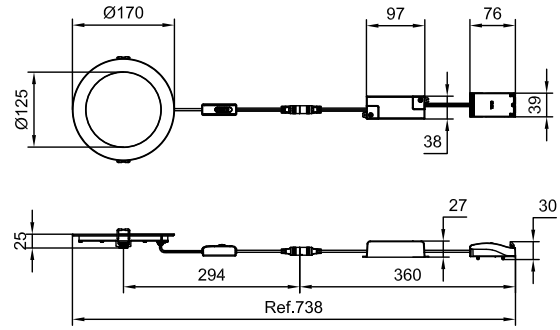
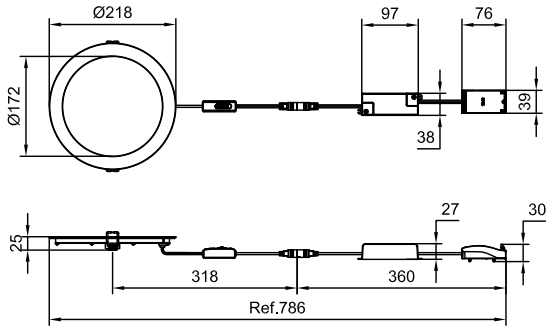
DN065B G3 LDNR LED10 L150 SQ

Dimensional drawing



Ledinaire SlimDownlight

Dimensional drawing



Product details



Philips Ledinaire slim downlight surface mounted DT03



Philips Ledinaire slim downlight surface mounted Back DT01



Philips Ledinaire slim downlight surface mounted DT04



Philips Ledinaire slim downlight surface mounted DT01



additional photo

Ledinaire SlimDownlight

Product details

Philips Ledinaire slim downlight recessed DT03



Philips Ledinaire slim downlight recessed DT01



Philips Ledinaire slim downlight recessed Back DT01



additional photo



Philips Ledinaire slim downlight surface mounted DT02



Philips Ledinaire slim downlight recessed DT02



Philips Ledinaire slim downlight recessed DT04



additional photo



Ledinaire SlimDownlight

General Information	
Driver included	Yes
Light source replaceable	No
Light Technical	
Colour rendering index (CRI)	80
Operating and Electrical	
Protection class IEC	Safety class II
Input Voltage	220 to 240 V
Controls and Dimming	
Dimmable	No
Mechanical and Housing	
Housing Colour	White
Mech. impact protection code	IK03
Approval and Application	
Ambient temperature range	-20 to +40 °C
CE mark	Yes
Flammability mark	For mounting on normally flammable surfaces
Initial Performance (IEC Compliant)	
Luminous flux tolerance	+/-10%

General Information

Order Code	Full Product Name	Number of gear units
929003251432	DN065B G4 LED20/830_840_865 19W D200 RD	-
929003250532	DN065B G4 LED12/830 12W 220-240V D150 RD	-
929003250632	DN065B G4 LED12/840 12W 220-240V D150 RD	-
929003250832	DN065B G4 LED20/830 19W 220-240V D200 RD	-
929003250932	DN065B G4 LED20/840 19W 220-240V D200 RD	-
929004083532	DN065B G4 12S/830_840_865 PSU-E D150 RD	Unit
929004083632	DN065B G4 20S/830_840_865 PSU-E D200 RD	Unit
929003251332	DN065B G4 LED12/830_840_865 12W D150 RD	-
929003251532	DN065C G4 LED12/830 12W 220-240V 6-D175	-
929003251632	DN065C G4 LED12/840 12W 220-240V 6-D175	-
929003251732	DN065C G4 LED20/830 19W 220-240V 8-D225	-
929003251832	DN065C G4 LED20/840 19W 220-240V 8-D225	-
929003251132	DN065B G4 LED12/830 12W 220-240V L150 SQ	-
929003251232	DN065B G4 LED12/840 12W 220-240V L150 SQ	-

Light Technical (1/2)

Order Code	Full Product Name	All-in Type	Correlated Colour Temperature (Nom)	Luminous efficacy (rated) (nom.)	Luminous Flux	Order Code	Full Product Name	All-in Type	Correlated Colour Temperature (Nom)	Luminous efficacy (rated) (nom.)	Luminous Flux
929003251432	DN065B G4 LED20/830_840_865 19W D200 RD	All-in, Multi Temperature	3000 K	105 lm/W	2,000 lm	929004083632	DN065B G4 20S/830_840_865 PSU-E D200 RD	All-in, Multi Temperature	3000 K	105 lm/W	2,000 lm
929003250532	DN065B G4 LED12/830 12W 220-240V D150 RD	-	3000 K	100 lm/W	1,200 lm	929003251332	DN065B G4 LED12/830_840_865 12W D150 RD	All-in, Multi Temperature	3000 K	100 lm/W	1,200 lm
929003250632	DN065B G4 LED12/840 12W 220-240V D150 RD	-	4000 K	100 lm/W	1,200 lm	929003251532	DN065C G4 LED12/830 12W 220-240V 6-D175	-	3000 K	100 lm/W	1,200 lm
929003250832	DN065B G4 LED20/830 19W 220-240V D200 RD	-	3000 K	105 lm/W	2,000 lm	929003251632	DN065C G4 LED12/840 12W 220-240V 6-D175	-	4000 K	108 lm/W	1,200 lm
929003250932	DN065B G4 LED20/840 19W 220-240V D200 RD	-	4000 K	105 lm/W	2,000 lm	929003251732	DN065C G4 LED20/830 19W 220-240V 8-D225	-	3000 K	105 lm/W	2,000 lm
929004083532	DN065B G4 12S/830_840_865 PSU-E D150 RD	All-in, Multi Temperature	3000 K	100 lm/W	1,200 lm	929003251832	DN065C G4 LED20/840 19W 220-240V 8-D225	-	4000 K	105 lm/W	2,000 lm

Ledinaire SlimDownlight

Order Code	Full Product Name	All-in Type	Correlated	Luminous	Luminous
			Colour	efficacy	
			Temperature	(rated)	Flux
			(Nom)	(nom.)	
929003251132	DN065B G4 LED12/830 12W 220-240V L150 SQ	-	3000 K	100 lm/W	1,200 lm

Order Code	Full Product Name	All-in Type	Correlated	Luminous	Luminous
			Colour	efficacy	
			Temperature	(rated)	Flux
			(Nom)	(nom.)	
929003251232	DN065B G4 LED12/840 12W 220-240V L150 SQ	-	4000 K	100 lm/W	1,200 lm

Light Technical (2/2)

Order Code	Full Product Name	Optic type
929003251432	DN065B G4 LED20/830_840_865 19W D200 RD	Beam angle 110°
929003250532	DN065B G4 LED12/830 12W 220-240V D150 RD	Beam angle 110°
929003250632	DN065B G4 LED12/840 12W 220-240V D150 RD	Beam angle 110°
929003250832	DN065B G4 LED20/830 19W 220-240V D200 RD	Beam angle 110°
929003250932	DN065B G4 LED20/840 19W 220-240V D200 RD	Beam angle 110°
929004083532	DN065B G4 12S/830_840_865 PSU-E D150 RD	Beam angle 100°
929004083632	DN065B G4 20S/830_840_865 PSU-E D200 RD	Beam angle 100°

Order Code	Full Product Name	Optic type
929003251332	DN065B G4 LED12/830_840_865 12W D150 RD	Beam angle 110°
929003251532	DN065C G4 LED12/830 12W 220-240V 6-D175	Beam angle 110°
929003251632	DN065C G4 LED12/840 12W 220-240V 6-D175	Beam angle 110°
929003251732	DN065C G4 LED20/830 19W 220-240V 8-D225	Beam angle 110°
929003251832	DN065C G4 LED20/840 19W 220-240V 8-D225	Beam angle 110°
929003251132	DN065B G4 LED12/830 12W 220-240V L150 SQ	Beam angle 110°
929003251232	DN065B G4 LED12/840 12W 220-240V L150 SQ	Beam angle 110°

Operating and Electrical

Order Code	Full Product Name	Line	Power	Suitable
				for random
		Frequency	Consumption	switching
929003251432	DN065B G4 LED20/830_840_865 19W D200 RD	50 or 60 Hz	19 W	-
929003250532	DN065B G4 LED12/830 12W 220-240V D150 RD	50 or 60 Hz	12 W	-
929003250632	DN065B G4 LED12/840 12W 220-240V D150 RD	50 or 60 Hz	12 W	-
929003250832	DN065B G4 LED20/830 19W 220-240V D200 RD	50 or 60 Hz	19 W	-
929003250932	DN065B G4 LED20/840 19W 220-240V D200 RD	50 or 60 Hz	19 W	-
929004083532	DN065B G4 12S/ 830_840_865 PSU-E D150 RD	-	12 W	Not applicable
929004083632	DN065B G4 20S/ 830_840_865 PSU-E D200 RD	-	19 W	Not applicable

Order Code	Full Product Name	Line	Power	Suitable
				for random
		Frequency	Consumption	switching
929003251332	DN065B G4 LED12/830_840_865 12W D150 RD	50 or 60 Hz	12 W	-
929003251532	DN065C G4 LED12/830 12W 220-240V 6-D175	50 or 60 Hz	12 W	-
929003251632	DN065C G4 LED12/840 12W 220-240V 6-D175	50 or 60 Hz	12 W	-
929003251732	DN065C G4 LED20/830 19W 220-240V 8-D225	50 or 60 Hz	19 W	-
929003251832	DN065C G4 LED20/840 19W 220-240V 8-D225	50 or 60 Hz	19 W	-
929003251132	DN065B G4 LED12/830 12W 220-240V L150 SQ	50 or 60 Hz	12 W	-
929003251232	DN065B G4 LED12/840 12W 220-240V L150 SQ	50 or 60 Hz	12 W	-

Mechanical and Housing

Order Code	Full Product Name	Ingress protection
		code
929003251432	DN065B G4 LED20/830_840_865 19W D200 RD	IP20/44
929003250532	DN065B G4 LED12/830 12W 220-240V D150 RD	IP20/44
929003250632	DN065B G4 LED12/840 12W 220-240V D150 RD	IP20/40
929003250832	DN065B G4 LED20/830 19W 220-240V D200 RD	IP20/40
929003250932	DN065B G4 LED20/840 19W 220-240V D200 RD	IP20/40
929004083532	DN065B G4 12S/830_840_865 PSU-E D150 RD	IP20/44
929004083632	DN065B G4 20S/830_840_865 PSU-E D200 RD	IP20/44

Order Code	Full Product Name	Ingress protection
		code
929003251332	DN065B G4 LED12/830_840_865 12W D150 RD	IP20/44
929003251532	DN065C G4 LED12/830 12W 220-240V 6-D175	IP20/40
929003251632	DN065C G4 LED12/840 12W 220-240V 6-D175	IP20/40
929003251732	DN065C G4 LED20/830 19W 220-240V 8-D225	IP20/40
929003251832	DN065C G4 LED20/840 19W 220-240V 8-D225	IP20/40
929003251132	DN065B G4 LED12/830 12W 220-240V L150 SQ	IP20/40

Ledinaire SlimDownlight

Order Code	Full Product Name	Ingress protection code
929003251232	DN065B G4 LED12/840 12W 220-240V L150 SQ	IP20/40

Emergency Operation

Order Code	Full Product Name	Central Emergency	Emergency lighting
929003251432	DN065B G4 LED20/830_840_865 19W D200 RD	-	-
929003250532	DN065B G4 LED12/830 12W 220-240V D150 RD	-	-
929003250632	DN065B G4 LED12/840 12W 220-240V D150 RD	-	-
929003250832	DN065B G4 LED20/830 19W 220-240V D200 RD	-	-
929003250932	DN065B G4 LED20/840 19W 220-240V D200 RD	-	-
929004083532	DN065B G4 12S/830_840_865 PSU-E D150 RD	No	Emergency lighting ready (through compatible battery kit accessory)
929004083632	DN065B G4 20S/830_840_865 PSU-E D200 RD	No	Emergency lighting ready

Order Code	Full Product Name	Central Emergency	Emergency lighting
929003251332	DN065B G4 LED12/830_840_865 12W D150 RD	-	-
929003251532	DN065C G4 LED12/830 12W 220-240V 6-D175	-	-
929003251632	DN065C G4 LED12/840 12W 220-240V 6-D175	-	-
929003251732	DN065C G4 LED20/830 19W 220-240V 8-D225	-	-
929003251832	DN065C G4 LED20/840 19W 220-240V 8-D225	-	-
929003251132	DN065B G4 LED12/830 12W 220-240V L150 SQ	-	-
929003251232	DN065B G4 LED12/840 12W 220-240V L150 SQ	-	-

Approval and Application

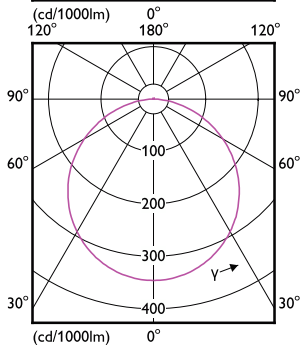
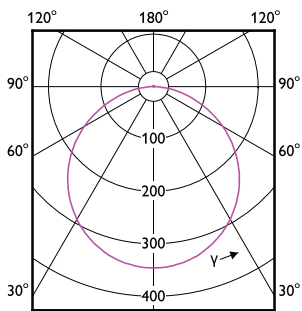
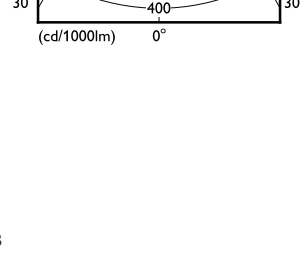
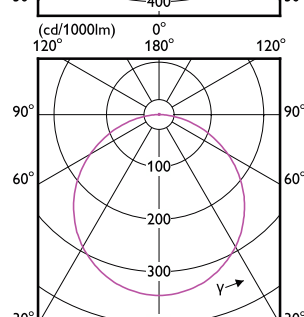
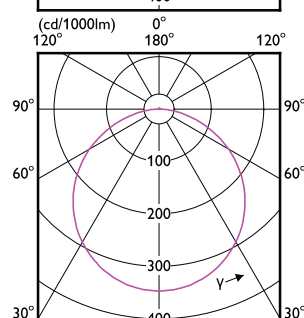
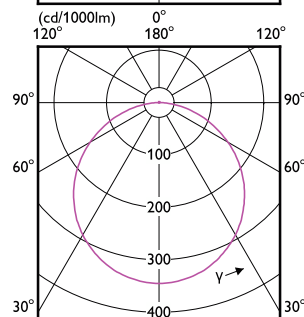
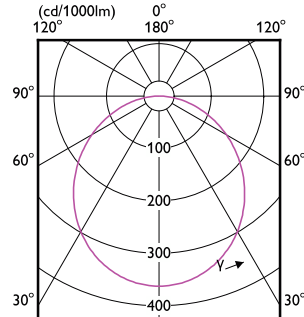
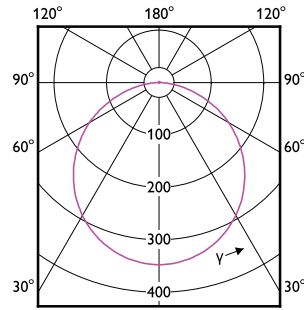
Order Code	Full Product Name	Glow-wire test	Flickering value (PstLM)	Stroboscopic effect
929003251432	DN065B G4 LED20/830_840_865 19W D200 RD	-	0.7	0.4
929003250532	DN065B G4 LED12/830 12W 220-240V D150 RD	-	0.7	0.4
929003250632	DN065B G4 LED12/840 12W 220-240V D150 RD	-	0.7	0.4
929003250832	DN065B G4 LED20/830 19W 220-240V D200 RD	-	0.7	0.4
929003250932	DN065B G4 LED20/840 19W 220-240V D200 RD	-	0.7	0.4
929004083532	DN065B G4 12S/830_840_865 PSU-E D150 RD	Temperature 650 °C, duration 30 s	0.9	0.3
929004083632	DN065B G4 20S/830_840_865 PSU-E D200 RD	Temperature 650 °C, duration 30 s	0.9	0.3

Order Code	Full Product Name	Glow-wire test	Flickering value (PstLM)	Stroboscopic effect
929003251332	DN065B G4 LED12/830_840_865 12W D150 RD	-	0.7	0.4
929003251532	DN065C G4 LED12/830 12W 220-240V 6-D175	-	0.7	0.4
929003251632	DN065C G4 LED12/840 12W 220-240V 6-D175	-	0.7	0.4
929003251732	DN065C G4 LED20/830 19W 220-240V 8-D225	-	0.7	0.4
929003251832	DN065C G4 LED20/840 19W 220-240V 8-D225	-	0.7	0.4
929003251132	DN065B G4 LED12/830 12W 220-240V L150 SQ	-	0.7	0.4
929003251232	DN065B G4 LED12/840 12W 220-240V L150 SQ	-	0.7	0.4

Initial Performance (IEC Compliant)

Ledinaire SlimDownlight

Order Code	Full Product Name	Initial chromaticity
929003251432	DN065B G4 LED20/830_840_865 19W D200 RD	(0.44, 0.403) SDCM≤5
929003250532	DN065B G4 LED12/830 12W 220-240V D150 RD	(0.44, 0.403) SDCM≤5
929003250632	DN065B G4 LED12/840 12W 220-240V D150 RD	(0.38, 0.38) SDCM≤5
929003250832	DN065B G4 LED20/830 19W 220-240V D200 RD	(0.44, 0.403) SDCM≤5
929003250932	DN065B G4 LED20/840 19W 220-240V D200 RD	(0.38, 0.38) SDCM≤5
929004083532	DN065B G4 12S/830_840_865 PSU-E D150 RD	(ANSI3000K, 0.4339; 0.4033 ; 4000K0.3761;0.3658 ; ANSI6500K0.3123;0.3283) 5SDCM
929004083632	DN065B G4 20S/830_840_865 PSU-E D200 RD	(ANSI3000K, 0.4339; 0.4033 ; 4000K0.3761;0.3658 ; ANSI6500K0.3123;0.3283) 5SDCM
929003251332	DN065B G4 LED12/830_840_865 12W D150 RD	(0.44, 0.403) SDCM≤5
929003251532	DN065C G4 LED12/830 12W 220-240V 6-D175	(0.44, 0.403) SDCM≤5
929003251632	DN065C G4 LED12/840 12W 220-240V 6-D175	(0.38, 0.38) SDCM≤5
929003251732	DN065C G4 LED20/830 19W 220-240V 8-D225	(0.44, 0.403) SDCM≤5
929003251832	DN065C G4 LED20/840 19W 220-240V 8-D225	(0.38, 0.38) SDCM≤5
929003251132	DN065B G4 LED12/830 12W 220-240V L150 SQ	(0.44, 0.403) SDCM≤5
929003251232	DN065B G4 LED12/840 12W 220-240V L150 SQ	(0.38, 0.38) SDCM≤5



Ledinaire SlimDownlight

