



Opciones de instalación múltiples, formas variadas, CCT completo, rango completo de tamaños

SmartBright Downlight DN058 WV

Los productos de la serie SmartBright downlight DN058 WV ofrecen un rendimiento de iluminación confiable con una larga vida útil y cumplen con todos los requisitos de regulación de seguridad IEC. Los productos tienen opciones de instalación múltiples, incluyendo montaje empotrado y en superficie. Los productos también tienen diferentes formas como opciones, la forma redonda y cuadrada pueden satisfacer los distintos requisitos de los clientes. Los productos tienen tres opciones CCT con diferentes soluciones de corte. Los productos no dañan los ojos y proporcionan una experiencia cómoda para los ojos.

Beneficios

- Larga vida útil de 35 mil horas, PF 0,5, eficacia mínima de 80 lm/W y rango completo de 3 CCT y cortes de D100/D150/D200/D275.
- Diseño simple y simplificado

SmartBright Downlight DN058 WV

Características

- Recorte: D100/D150/D200/D275
- Tres CCT: 3000K, 4000K, 6500K
- Eficacia del lumen: min 80lm/W
- CRI80
- PF 0,5
- Lumen de salida: 400/900/1300/2000lm
- Temperatura de trabajo: -20°C a +40°C

Aplicaciones

- Hoteles
- Centro comercial
- Hotelería

Versions

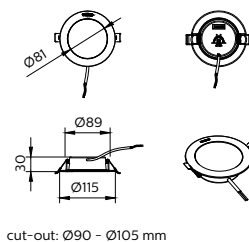
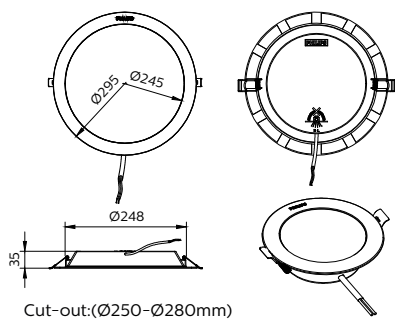


SmartBright Downlight DN058 WV

SmartBright Downlight DN058 WV

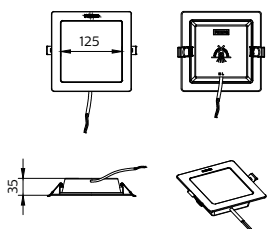
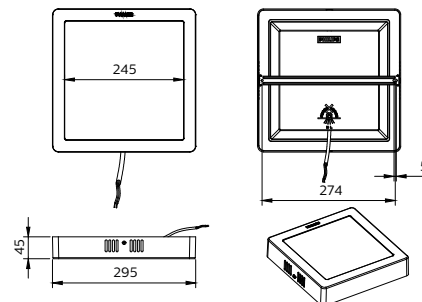
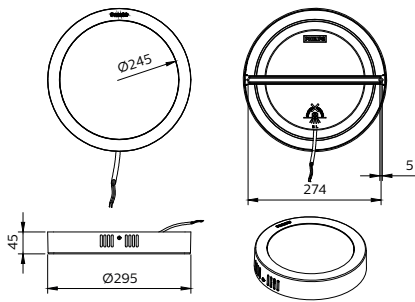
SmartBright Downlight DN058 WV

Plano de dimensiones

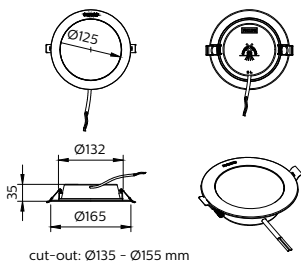
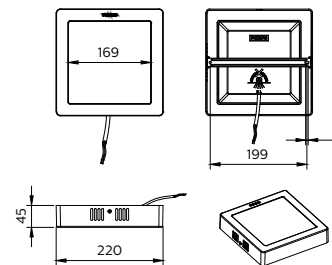
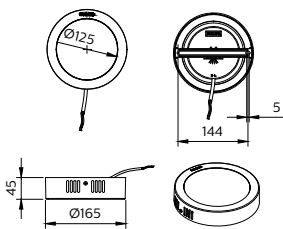
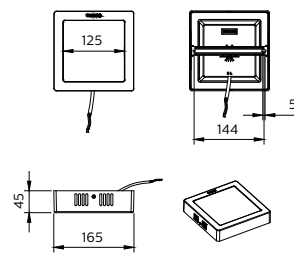


SmartBright Downlight DN058 WV

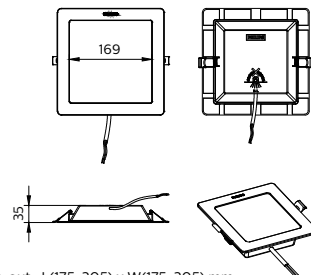
Plano de dimensiones



Cut-out : L(135-155) x W(135-155) mm



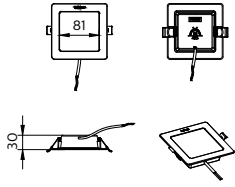
cut-out: Ø135 - Ø155 mm



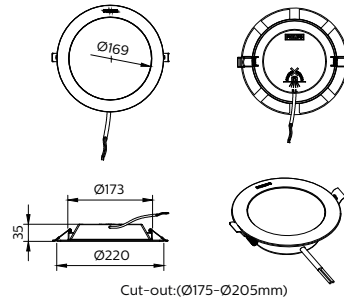
Cut-out : L(175-205) x W(175-205) mm

SmartBright Downlight DN058 WV

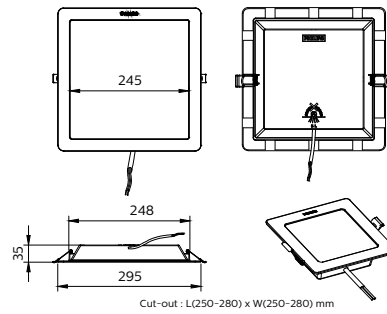
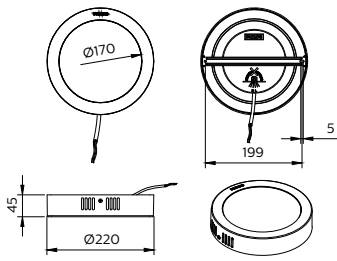
Plano de dimensiones



Cut-out : L(90-105) x W(90-105) mm



Cut-out:(Ø175-Ø205mm)



Cut-out : L(250-280) x W(250-280) mm

SmartBright Downlight DN058 WV

Información general

Controlador incluido	Sí
Equipo	EB
Cantidad de unidades de equipos	1 unidad

Información técnica sobre la luz

Ángulo de haz de la fuente de luz	110 °
Índice de producción de color (IRC)	>80
Cantidad de fuentes de luz	1
Tipo óptico	Simétrico de 110°

Operación y aspectos eléctricos

Clase de protección IEC	Clase de seguridad II
Voltaje de entrada	110 a 240 V
Frecuencia de línea	50 or 60 Hz
Apta para aplicaciones de alternado aleatorio	No

Controles y atenuación

Regulable	No
Nivel de regulación máximo	No aplica

Mecánica y carcasa

Tipo de cubierta óptica	PS
Color de la carcasa	Blanco RAL 9003
Código de protección de impacto mec.	IK03
Código de protección de ingreso	IP20

Aprobación y aplicación

Rango de temperatura ambiente	-20 °C a 40 °C
Marca CE	No
Marca ENEC	-
Marca de inflamabilidad	Para montaje en superficies normalmente inflamables
Prueba de resplandor del cable	Temperatura de 650 °C, duración de 30 s

Rendimiento inicial (cumple con normas IEC)

Tolerancia del flujo luminoso	-10%,+15%
-------------------------------	-----------

Información técnica sobre la luz

Order Code	Full Product Name	Temperatura de color correlacionada (nominal)	Eficacia lumínica	
			(promedio) (nominal)	Flujo luminoso
911401802488	DN058B LED13/830 110-240V L200 SQ	3000 K	105 lm/W	1.210 lm
911401802588	DN058B LED13/840 110-240V L200 SQ	4000 K	113 lm/W	1.300 lm
911401802688	DN058B LED13/865 110-240V L200 SQ	6500 K	113 lm/W	1.300 lm
911401800388	DN058B LED4/830 110-240V D100 RD	3000 K	93 lm/W	375 lm
911401800488	DN058B LED4/840 110-240V D100 RD	4000 K	100 lm/W	400 lm
911401800588	DN058B LED4/865 110-240V D100 RD	6500 K	100 lm/W	400 lm
911401803388	DN058B LED20/830 110-240V D275 RD	3000 K	85 lm/W	1.860 lm
911401803488	DN058B LED20/840 110-240V D275 RD	4000 K	91 lm/W	2.000 lm
911401803588	DN058B LED20/865 110-240V D275 RD	6500 K	91 lm/W	2.000 lm
911401802188	DN058B LED13/830 110-240V D200 RD	3000 K	105 lm/W	1.210 lm
911401802288	DN058B LED13/840 110-240V D200 RD	4000 K	113 lm/W	1.300 lm
911401802388	DN058B LED13/865 110-240V D200 RD	6500 K	113 lm/W	1.300 lm
911401801588	DN058C LED9/830 110-240V D150 RD	3000 K	107 lm/W	840 lm
911401801688	DN058C LED9/840 110-240V D150 RD	4000 K	115 lm/W	900 lm
911401801788	DN058C LED9/865 110-240V D150 RD	6500 K	115 lm/W	900 lm
911401801888	DN058C LED9/830 110-240V L150 SQ	3000 K	107 lm/W	840 lm
911401801988	DN058C LED9/840 110-240V L150 SQ	4000 K	115 lm/W	900 lm
911401802088	DN058C LED9/865 110-240V L150 SQ	6500 K	115 lm/W	900 lm
911401803088	DN058C LED13/830 110-240V L200 SQ	3000 K	105 lm/W	1.210 lm
911401803188	DN058C LED13/840 110-240V L200 SQ	4000 K	113 lm/W	1.300 lm
911401803288	DN058C LED13/865 110-240V L200 SQ	6500 K	113 lm/W	1.300 lm
911401803988	DN058C LED20/830 110-240V D275 RD	3000 K	85 lm/W	1.860 lm
911401804088	DN058C LED20/840 110-240V D275 RD	4000 K	91 lm/W	2.000 lm
911401804188	DN058C LED20/865 110-240V D275 RD	6500 K	91 lm/W	2.000 lm

SmartBright Downlight DN058 WV

Order Code	Full Product Name	Temperatura de color		Flujo luminoso
		correlacionada (nominal)	Eficacia luminica (promedio) (nominal)	
911401802788	DN058C LED13/830 110-240V D200 RD	3000 K	105 lm/W	1.210 lm
911401802888	DN058C LED13/840 110-240V D200 RD	4000 K	113 lm/W	1.300 lm
911401802988	DN058C LED13/865 110-240V D200 RD	6500 K	113 lm/W	1.300 lm
911401800688	DN058B LED4/830 110-240V L100 SQ	3000 K	93 lm/W	375 lm
911401800788	DN058B LED4/840 110-240V L100 SQ	4000 K	100 lm/W	400 lm
911401800888	DN058B LED4/865 110-240V L100 SQ	6500 K	100 lm/W	400 lm
911401800988	DN058B LED9/830 110-240V D150 RD	3000 K	107 lm/W	840 lm
911401801088	DN058B LED9/840 110-240V D150 RD	4000 K	115 lm/W	900 lm
911401801188	DN058B LED9/865 110-240V D150 RD	6500 K	115 lm/W	900 lm
911401801288	DN058B LED9/830 110-240V L150 SQ	3000 K	107 lm/W	840 lm
911401801388	DN058B LED9/840 110-240V L150 SQ	4000 K	115 lm/W	900 lm
911401801488	DN058B LED9/865 110-240V L150 SQ	6500 K	115 lm/W	900 lm
911401803688	DN058B LED20/830 110-240V L275 SQ	3000 K	85 lm/W	1.860 lm
911401803788	DN058B LED20/840 110-240V L275 SQ	4000 K	91 lm/W	2.000 lm
911401803888	DN058B LED20/865 110-240V L275 SQ	6500 K	91 lm/W	2.000 lm
911401804288	DN058C LED20/830 110-240V L275 SQ	3000 K	85 lm/W	1.860 lm
911401804388	DN058C LED20/840 110-240V L275 SQ	4000 K	91 lm/W	2.000 lm
911401804488	DN058C LED20/865 110-240V L275 SQ	6500 K	91 lm/W	2.000 lm

Operación y aspectos eléctricos

Order Code	Full Product Name	Consumo de energía	Order Code	Full Product Name	Consumo de energía
911401802488	DN058B LED13/830 110-240V L200 SQ	11,5 W	911401802288	DN058B LED13/840 110-240V D200 RD	11,5 W
911401802588	DN058B LED13/840 110-240V L200 SQ	11,5 W	911401802388	DN058B LED13/865 110-240V D200 RD	11,5 W
911401802688	DN058B LED13/865 110-240V L200 SQ	11,5 W	911401801588	DN058C LED9/830 110-240V D150 RD	7,8 W
911401800388	DN058B LED4/830 110-240V D100 RD	4 W	911401801688	DN058C LED9/840 110-240V D150 RD	7,8 W
911401800488	DN058B LED4/840 110-240V D100 RD	4 W	911401801788	DN058C LED9/865 110-240V D150 RD	7,8 W
911401800588	DN058B LED4/865 110-240V D100 RD	4 W	911401801888	DN058C LED9/830 110-240V L150 SQ	7,8 W
911401803388	DN058B LED20/830 110-240V D275 RD	22 W	911401801988	DN058C LED9/840 110-240V L150 SQ	7,8 W
911401803488	DN058B LED20/840 110-240V D275 RD	22 W	911401802088	DN058C LED9/865 110-240V L150 SQ	7,8 W
911401803588	DN058B LED20/865 110-240V D275 RD	22 W	911401803088	DN058C LED13/830 110-240V L200 SQ	11,5 W
911401802188	DN058B LED13/830 110-240V D200 RD	11,5 W	911401803188	DN058C LED13/840 110-240V L200 SQ	11,5 W

SmartBright Downlight DN058 WV

Order Code	Full Product Name	Consumo de energía
911401803288	DN058C LED13/865 110-240V L200 SQ	11,5 W
911401803988	DN058C LED20/830 110-240V D275 RD	22 W
911401804088	DN058C LED20/840 110-240V D275 RD	22 W
911401804188	DN058C LED20/865 110-240V D275 RD	22 W
911401802788	DN058C LED13/830 110-240V D200 RD	11,5 W
911401802888	DN058C LED13/840 110-240V D200 RD	11,5 W
911401802988	DN058C LED13/865 110-240V D200 RD	11,5 W
911401800688	DN058B LED4/830 110-240V L100 SQ	4 W
911401800788	DN058B LED4/840 110-240V L100 SQ	4 W
911401800888	DN058B LED4/865 110-240V L100 SQ	4 W
911401800988	DN058B LED9/830 110-240V D150 RD	7,8 W

Order Code	Full Product Name	Consumo de energía
911401801088	DN058B LED9/840 110-240V D150 RD	7,8 W
911401801188	DN058B LED9/865 110-240V D150 RD	7,8 W
911401801288	DN058B LED9/830 110-240V L150 SQ	7,8 W
911401801388	DN058B LED9/840 110-240V L150 SQ	7,8 W
911401801488	DN058B LED9/865 110-240V L150 SQ	7,8 W
911401803688	DN058B LED20/830 110-240V L275 SQ	22 W
911401803788	DN058B LED20/840 110-240V L275 SQ	22 W
911401803888	DN058B LED20/865 110-240V L275 SQ	22 W
911401804288	DN058C LED20/830 110-240V L275 SQ	22 W
911401804388	DN058C LED20/840 110-240V L275 SQ	22 W
911401804488	DN058C LED20/865 110-240V L275 SQ	22 W

Rendimiento inicial (cumple con normas IEC)

Order Code	Full Product Name	Cromaticidad inicial
911401802488	DN058B LED13/830 110-240V L200 SQ	(0.43,0.40) SDCM≤6
911401802588	DN058B LED13/840 110-240V L200 SQ	(0.38,0.38) SDCM≤6
911401802688	DN058B LED13/865 110-240V L200 SQ	(0.31,0.33) SDCM≤6
911401800388	DN058B LED4/830 110-240V D100 RD	(0.43,0.40) SDCM≤6
911401800488	DN058B LED4/840 110-240V D100 RD	(0.38,0.38) SDCM≤6
911401800588	DN058B LED4/865 110-240V D100 RD	(0.31,0.33) SDCM≤6
911401803388	DN058B LED20/830 110-240V D275 RD	(0.43,0.40) SDCM≤6
911401803488	DN058B LED20/840 110-240V D275 RD	(0.38,0.38) SDCM≤6
911401803588	DN058B LED20/865 110-240V D275 RD	(0.31,0.33) SDCM≤6
911401802188	DN058B LED13/830 110-240V D200 RD	(0.43,0.40) SDCM≤6
911401802288	DN058B LED13/840 110-240V D200 RD	(0.38,0.38) SDCM≤6
911401802388	DN058B LED13/865 110-240V D200 RD	(0.31,0.33) SDCM≤6
911401801588	DN058C LED9/830 110-240V D150 RD	(0.43,0.40) SDCM≤6
911401801688	DN058C LED9/840 110-240V D150 RD	(0.38,0.38) SDCM≤6
911401801788	DN058C LED9/865 110-240V D150 RD	(0.31,0.33) SDCM≤6
911401801888	DN058C LED9/830 110-240V L150 SQ	(0.43,0.40) SDCM≤6
911401801988	DN058C LED9/840 110-240V L150 SQ	(0.38,0.38) SDCM≤6
911401802088	DN058C LED9/865 110-240V L150 SQ	(0.31,0.33) SDCM≤6
911401803088	DN058C LED13/830 110-240V L200 SQ	(0.43,0.40) SDCM≤6
911401803188	DN058C LED13/840 110-240V L200 SQ	(0.38,0.38) SDCM≤6
911401803288	DN058C LED13/865 110-240V L200 SQ	(0.31,0.33) SDCM≤6

Order Code	Full Product Name	Cromaticidad inicial
911401803988	DN058C LED20/830 110-240V D275 RD	(0.43,0.40) SDCM≤6
911401804088	DN058C LED20/840 110-240V D275 RD	(0.38,0.38) SDCM≤6
911401804188	DN058C LED20/865 110-240V D275 RD	(0.31,0.33) SDCM≤6
911401802788	DN058C LED13/830 110-240V D200 RD	(0.43,0.40) SDCM≤6
911401802888	DN058C LED13/840 110-240V D200 RD	(0.38,0.38) SDCM≤6
911401802988	DN058C LED13/865 110-240V D200 RD	(0.31,0.33) SDCM≤6
911401800688	DN058B LED4/830 110-240V L100 SQ	(0.43,0.40) SDCM≤6
911401800788	DN058B LED4/840 110-240V L100 SQ	(0.38,0.38) SDCM≤6
911401800888	DN058B LED4/865 110-240V L100 SQ	(0.31,0.33) SDCM≤6
911401800988	DN058B LED9/830 110-240V D150 RD	(0.43,0.40) SDCM≤6
911401801088	DN058B LED9/840 110-240V D150 RD	(0.38,0.38) SDCM≤6
911401801188	DN058B LED9/865 110-240V D150 RD	(0.31,0.33) SDCM≤6
911401801288	DN058B LED9/830 110-240V L150 SQ	(0.43,0.40) SDCM≤6
911401801388	DN058B LED9/840 110-240V L150 SQ	(0.38,0.38) SDCM≤6
911401801488	DN058B LED9/865 110-240V L150 SQ	(0.31,0.33) SDCM≤6
911401803688	DN058B LED20/830 110-240V L275 SQ	(0.43,0.40) SDCM≤6
911401803788	DN058B LED20/840 110-240V L275 SQ	(0.38,0.38) SDCM≤6
911401803888	DN058B LED20/865 110-240V L275 SQ	(0.31,0.33) SDCM≤6
911401804288	DN058C LED20/830 110-240V L275 SQ	(0.43,0.40) SDCM≤6
911401804388	DN058C LED20/840 110-240V L275 SQ	(0.38,0.38) SDCM≤6
911401804488	DN058C LED20/865 110-240V L275 SQ	(0.31,0.33) SDCM≤6

