



Multiple installation, different shape, full CCT, Full size range

SmartBright Downlight DN058 WV

SmartBright downlight DN058 WV series products offer reliable lighting performance with long lifetime and meet all the IEC safety regulation requirements. Products have multiple installation, including both recessed and surface mount. Products also have Different shapes as options, round and square shape can meet different customer's requirement. Products have three CCT options with different cut out solutions. Products have no harm to eyes and give eye comfortable experience.

Benefits

- Long lifetime 35khrs , PF0.5, min 80lm/W efficacy and full range of 3 CCT and cut-off from D100/D150/D200/D275.
- Simple and simplify design

Features

- Cut out: D100/D150/D200/D275
- Three CCT: 3000K, 4000K, 6500K
- Lumen efficacy: min 80lm/W
- CRI80
- PF0.5
- Lumen output: 400/900/1300/2000lm
- Working temperature: -20°C to +40°C

Application

- Hotels
- Shopping mall
- Hospitality

SmartBright Downlight DN058 WV

Versions



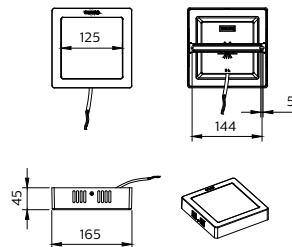
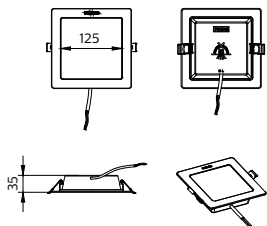
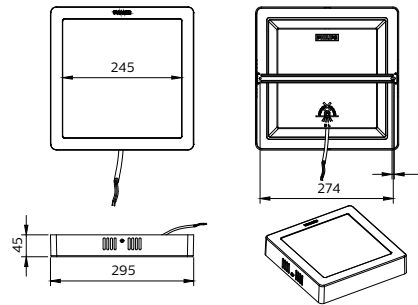
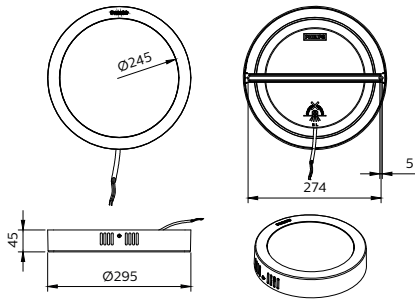
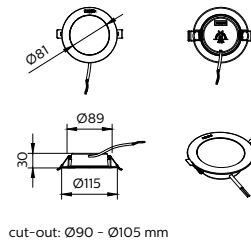
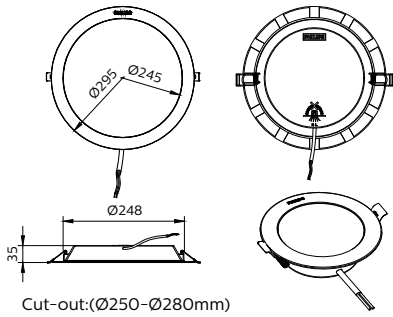
SmartBright Downlight DN058 WV

SmartBright Downlight DN058 WV

SmartBright Downlight DN058 WV

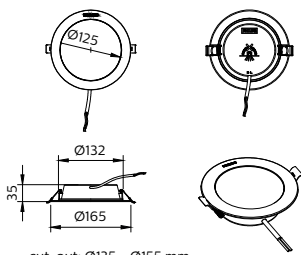
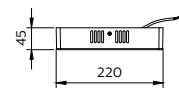
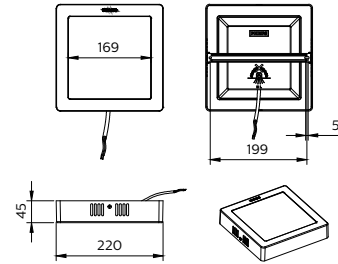
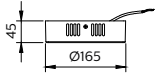
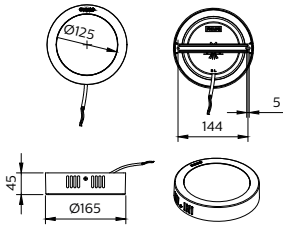
SmartBright Downlight DN058 WV

Dimensional drawing

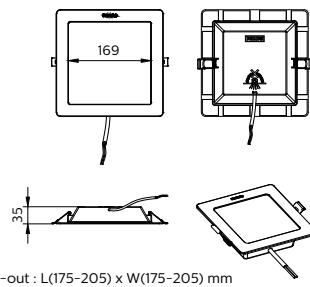


SmartBright Downlight DN058 WV

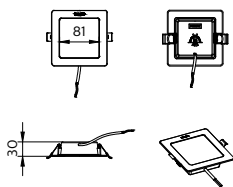
Dimensional drawing



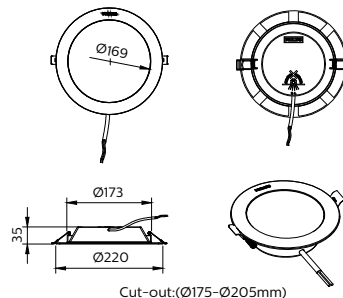
cut-out: $\varnothing 135 - \varnothing 155$ mm



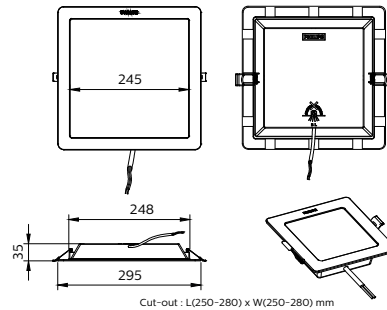
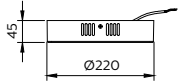
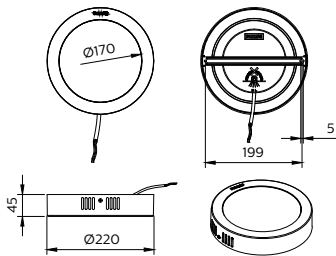
Cut-out : L(175-205) x W(175-205) mm



Cut-out : L(90-105) x W(90-105) mm



Cut-out:($\varnothing 175 - \varnothing 205$ mm)



Cut-out : L(250-280) x W(250-280) mm

SmartBright Downlight DN058 WV

General Information

Driver included	Yes
Gear	EB
Number of gear units	1 unit

Light Technical

Beam angle of light source	110 degree(s)
Color rendering index (CRI)	>80
Number of light sources	1
Optic type	Symmetric 110°

Operating and Electrical

Protection class IEC	Safety class II
Input Voltage	110 to 240 V
Line Frequency	50 or 60 Hz
Suitable for random switching	No

Controls and Dimming

Dimmable	No
Maximum dim level	Not applicable

Mechanical and Housing

Optical cover type	PS
Housing Color	White RAL 9003
Mech. impact protection code	IK03
Ingress protection code	IP20

Approval and Application

Ambient temperature range	-20 °C to 40 °C
CE mark	No
ENEC mark	-
Flammability mark	For mounting on normally flammable surfaces
Glow-wire test	Temperature 650 °C, duration 30 s

Initial Performance (IEC Compliant)

Luminous flux tolerance	-10%,+15%
-------------------------	-----------

Light Technical

Order Code	Full Product Name	Correlated Color	Luminous Efficacy	
		Temperature (Nom)	(rated) (Nom)	Luminous Flux
911401802488	DN058B LED13/830 110-240V L200 SQ	3000 K	105 lm/W	1,210 lm
911401802588	DN058B LED13/840 110-240V L200 SQ	4000 K	113 lm/W	1,300 lm
911401802688	DN058B LED13/865 110-240V L200 SQ	6500 K	113 lm/W	1,300 lm
911401800388	DN058B LED4/830 110-240V D100 RD	3000 K	93 lm/W	375 lm
911401800488	DN058B LED4/840 110-240V D100 RD	4000 K	100 lm/W	400 lm
911401800588	DN058B LED4/865 110-240V D100 RD	6500 K	100 lm/W	400 lm
911401803388	DN058B LED20/830 110-240V D275 RD	3000 K	85 lm/W	1,860 lm
911401803488	DN058B LED20/840 110-240V D275 RD	4000 K	91 lm/W	2,000 lm
911401803588	DN058B LED20/865 110-240V D275 RD	6500 K	91 lm/W	2,000 lm
911401802188	DN058B LED13/830 110-240V D200 RD	3000 K	105 lm/W	1,210 lm
911401802288	DN058B LED13/840 110-240V D200 RD	4000 K	113 lm/W	1,300 lm
911401802388	DN058B LED13/865 110-240V D200 RD	6500 K	113 lm/W	1,300 lm
911401801588	DN058C LED9/830 110-240V D150 RD	3000 K	107 lm/W	840 lm
911401801688	DN058C LED9/840 110-240V D150 RD	4000 K	115 lm/W	900 lm
911401801788	DN058C LED9/865 110-240V D150 RD	6500 K	115 lm/W	900 lm
911401801888	DN058C LED9/830 110-240V L150 SQ	3000 K	107 lm/W	840 lm
911401801988	DN058C LED9/840 110-240V L150 SQ	4000 K	115 lm/W	900 lm
911401802088	DN058C LED9/865 110-240V L150 SQ	6500 K	115 lm/W	900 lm
911401803088	DN058C LED13/830 110-240V L200 SQ	3000 K	105 lm/W	1,210 lm
911401803188	DN058C LED13/840 110-240V L200 SQ	4000 K	113 lm/W	1,300 lm
911401803288	DN058C LED13/865 110-240V L200 SQ	6500 K	113 lm/W	1,300 lm
911401803988	DN058C LED20/830 110-240V D275 RD	3000 K	85 lm/W	1,860 lm
911401804088	DN058C LED20/840 110-240V D275 RD	4000 K	91 lm/W	2,000 lm
911401804188	DN058C LED20/865 110-240V D275 RD	6500 K	91 lm/W	2,000 lm
911401802788	DN058C LED13/830 110-240V D200 RD	3000 K	105 lm/W	1,210 lm

SmartBright Downlight DN058 WV

Order Code	Full Product Name	Correlated Color	Luminous Efficacy	
		Temperature (Nom)	(rated) (Nom)	Luminous Flux
911401802888	DN058C LED13/840 110-240V D200 RD	4000 K	113 lm/W	1,300 lm
911401802988	DN058C LED13/865 110-240V D200 RD	6500 K	113 lm/W	1,300 lm
911401800688	DN058B LED4/830 110-240V L100 SQ	3000 K	93 lm/W	375 lm
911401800788	DN058B LED4/840 110-240V L100 SQ	4000 K	100 lm/W	400 lm
911401800888	DN058B LED4/865 110-240V L100 SQ	6500 K	100 lm/W	400 lm
911401800988	DN058B LED9/830 110-240V D150 RD	3000 K	107 lm/W	840 lm
911401801088	DN058B LED9/840 110-240V D150 RD	4000 K	115 lm/W	900 lm
911401801188	DN058B LED9/865 110-240V D150 RD	6500 K	115 lm/W	900 lm
911401801288	DN058B LED9/830 110-240V L150 SQ	3000 K	107 lm/W	840 lm
911401801388	DN058B LED9/840 110-240V L150 SQ	4000 K	115 lm/W	900 lm
911401801488	DN058B LED9/865 110-240V L150 SQ	6500 K	115 lm/W	900 lm
911401803688	DN058B LED20/830 110-240V L275 SQ	3000 K	85 lm/W	1,860 lm
911401803788	DN058B LED20/840 110-240V L275 SQ	4000 K	91 lm/W	2,000 lm
911401803888	DN058B LED20/865 110-240V L275 SQ	6500 K	91 lm/W	2,000 lm
911401804288	DN058C LED20/830 110-240V L275 SQ	3000 K	85 lm/W	1,860 lm
911401804388	DN058C LED20/840 110-240V L275 SQ	4000 K	91 lm/W	2,000 lm
911401804488	DN058C LED20/865 110-240V L275 SQ	6500 K	91 lm/W	2,000 lm

Operating and Electrical

Order Code	Full Product Name	Power Consumption	Order Code	Full Product Name	Power Consumption
911401802488	DN058B LED13/830 110-240V L200 SQ	11.5 W	911401801688	DN058C LED9/840 110-240V D150 RD	7.8 W
911401802588	DN058B LED13/840 110-240V L200 SQ	11.5 W	911401801788	DN058C LED9/865 110-240V D150 RD	7.8 W
911401802688	DN058B LED13/865 110-240V L200 SQ	11.5 W	911401801888	DN058C LED9/830 110-240V L150 SQ	7.8 W
911401800388	DN058B LED4/830 110-240V D100 RD	4 W	911401801988	DN058C LED9/840 110-240V L150 SQ	7.8 W
911401800488	DN058B LED4/840 110-240V D100 RD	4 W	911401802088	DN058C LED9/865 110-240V L150 SQ	7.8 W
911401800588	DN058B LED4/865 110-240V D100 RD	4 W	911401803088	DN058C LED13/830 110-240V L200 SQ	11.5 W
911401803388	DN058B LED20/830 110-240V D275 RD	22 W	911401803188	DN058C LED13/840 110-240V L200 SQ	11.5 W
911401803488	DN058B LED20/840 110-240V D275 RD	22 W	911401803288	DN058C LED13/865 110-240V L200 SQ	11.5 W
911401803588	DN058B LED20/865 110-240V D275 RD	22 W	911401803988	DN058C LED20/830 110-240V D275 RD	22 W
911401802188	DN058B LED13/830 110-240V D200 RD	11.5 W	911401804088	DN058C LED20/840 110-240V D275 RD	22 W
911401802288	DN058B LED13/840 110-240V D200 RD	11.5 W	911401804188	DN058C LED20/865 110-240V D275 RD	22 W
911401802388	DN058B LED13/865 110-240V D200 RD	11.5 W	911401802788	DN058C LED13/830 110-240V D200 RD	11.5 W
911401801588	DN058C LED9/830 110-240V D150 RD	7.8 W	911401802888	DN058C LED13/840 110-240V D200 RD	11.5 W

SmartBright Downlight DN058 WV

Order Code	Full Product Name	Power Consumption
911401802988	DN058C LED13/865 110-240V D200 RD	11.5 W
911401800688	DN058B LED4/830 110-240V L100 SQ	4 W
911401800788	DN058B LED4/840 110-240V L100 SQ	4 W
911401800888	DN058B LED4/865 110-240V L100 SQ	4 W
911401800988	DN058B LED9/830 110-240V D150 RD	7.8 W
911401801088	DN058B LED9/840 110-240V D150 RD	7.8 W
911401801188	DN058B LED9/865 110-240V D150 RD	7.8 W
911401801288	DN058B LED9/830 110-240V L150 SQ	7.8 W

Order Code	Full Product Name	Power Consumption
911401801388	DN058B LED9/840 110-240V L150 SQ	7.8 W
911401801488	DN058B LED9/865 110-240V L150 SQ	7.8 W
911401803688	DN058B LED20/830 110-240V L275 SQ	22 W
911401803788	DN058B LED20/840 110-240V L275 SQ	22 W
911401803888	DN058B LED20/865 110-240V L275 SQ	22 W
911401804288	DN058C LED20/830 110-240V L275 SQ	22 W
911401804388	DN058C LED20/840 110-240V L275 SQ	22 W
911401804488	DN058C LED20/865 110-240V L275 SQ	22 W

Initial Performance (IEC Compliant)

Order Code	Full Product Name	Initial chromaticity
911401802488	DN058B LED13/830 110-240V L200 SQ	(0.43,0.40) SDCM≤6
911401802588	DN058B LED13/840 110-240V L200 SQ	(0.38,0.38) SDCM≤6
911401802688	DN058B LED13/865 110-240V L200 SQ	(0.31,0.33) SDCM≤6
911401800388	DN058B LED4/830 110-240V D100 RD	(0.43,0.40) SDCM≤6
911401800488	DN058B LED4/840 110-240V D100 RD	(0.38,0.38) SDCM≤6
911401800588	DN058B LED4/865 110-240V D100 RD	(0.31,0.33) SDCM≤6
911401803388	DN058B LED20/830 110-240V D275 RD	(0.43,0.40) SDCM≤6
911401803488	DN058B LED20/840 110-240V D275 RD	(0.38,0.38) SDCM≤6
911401803588	DN058B LED20/865 110-240V D275 RD	(0.31,0.33) SDCM≤6
911401802188	DN058B LED13/830 110-240V D200 RD	(0.43,0.40) SDCM≤6
911401802288	DN058B LED13/840 110-240V D200 RD	(0.38,0.38) SDCM≤6
911401802388	DN058B LED13/865 110-240V D200 RD	(0.31,0.33) SDCM≤6
911401801588	DN058C LED9/830 110-240V D150 RD	(0.43,0.40) SDCM≤6
911401801688	DN058C LED9/840 110-240V D150 RD	(0.38,0.38) SDCM≤6
911401801788	DN058C LED9/865 110-240V D150 RD	(0.31,0.33) SDCM≤6
911401801888	DN058C LED9/830 110-240V L150 SQ	(0.43,0.40) SDCM≤6
911401801988	DN058C LED9/840 110-240V L150 SQ	(0.38,0.38) SDCM≤6
911401802088	DN058C LED9/865 110-240V L150 SQ	(0.31,0.33) SDCM≤6
911401803088	DN058C LED13/830 110-240V L200 SQ	(0.43,0.40) SDCM≤6
911401803188	DN058C LED13/840 110-240V L200 SQ	(0.38,0.38) SDCM≤6
911401803288	DN058C LED13/865 110-240V L200 SQ	(0.31,0.33) SDCM≤6

Order Code	Full Product Name	Initial chromaticity
911401803988	DN058C LED20/830 110-240V D275 RD	(0.43,0.40) SDCM≤6
911401804088	DN058C LED20/840 110-240V D275 RD	(0.38,0.38) SDCM≤6
911401804188	DN058C LED20/865 110-240V D275 RD	(0.31,0.33) SDCM≤6
911401802788	DN058C LED13/830 110-240V D200 RD	(0.43,0.40) SDCM≤6
911401802888	DN058C LED13/840 110-240V D200 RD	(0.38,0.38) SDCM≤6
911401802988	DN058C LED13/865 110-240V D200 RD	(0.31,0.33) SDCM≤6
911401800688	DN058B LED4/830 110-240V L100 SQ	(0.43,0.40) SDCM≤6
911401800788	DN058B LED4/840 110-240V L100 SQ	(0.38,0.38) SDCM≤6
911401800888	DN058B LED4/865 110-240V L100 SQ	(0.31,0.33) SDCM≤6
911401800988	DN058B LED9/830 110-240V D150 RD	(0.43,0.40) SDCM≤6
911401801088	DN058B LED9/840 110-240V D150 RD	(0.38,0.38) SDCM≤6
911401801188	DN058B LED9/865 110-240V D150 RD	(0.31,0.33) SDCM≤6
911401801288	DN058B LED9/830 110-240V L150 SQ	(0.43,0.40) SDCM≤6
911401801388	DN058B LED9/840 110-240V L150 SQ	(0.38,0.38) SDCM≤6
911401801488	DN058B LED9/865 110-240V L150 SQ	(0.31,0.33) SDCM≤6
911401803688	DN058B LED20/830 110-240V L275 SQ	(0.43,0.40) SDCM≤6
911401803788	DN058B LED20/840 110-240V L275 SQ	(0.38,0.38) SDCM≤6
911401803888	DN058B LED20/865 110-240V L275 SQ	(0.31,0.33) SDCM≤6
911401804288	DN058C LED20/830 110-240V L275 SQ	(0.43,0.40) SDCM≤6
911401804388	DN058C LED20/840 110-240V L275 SQ	(0.38,0.38) SDCM≤6
911401804488	DN058C LED20/865 110-240V L275 SQ	(0.31,0.33) SDCM≤6

